



Chipsmall Limited consists of a professional team with an average of over 10 year of expertise in the distribution of electronic components. Based in Hongkong, we have already established firm and mutual-benefit business relationships with customers from,Europe,America and south Asia,supplying obsolete and hard-to-find components to meet their specific needs.

With the principle of “Quality Parts,Customers Priority,Honest Operation,and Considerate Service”,our business mainly focus on the distribution of electronic components. Line cards we deal with include Microchip,ALPS,ROHM,Xilinx,Pulse,ON,Everlight and Freescale. Main products comprise IC,Modules,Potentiometer,IC Socket,Relay,Connector.Our parts cover such applications as commercial,industrial, and automotives areas.

We are looking forward to setting up business relationship with you and hope to provide you with the best service and solution. Let us make a better world for our industry!



Contact us

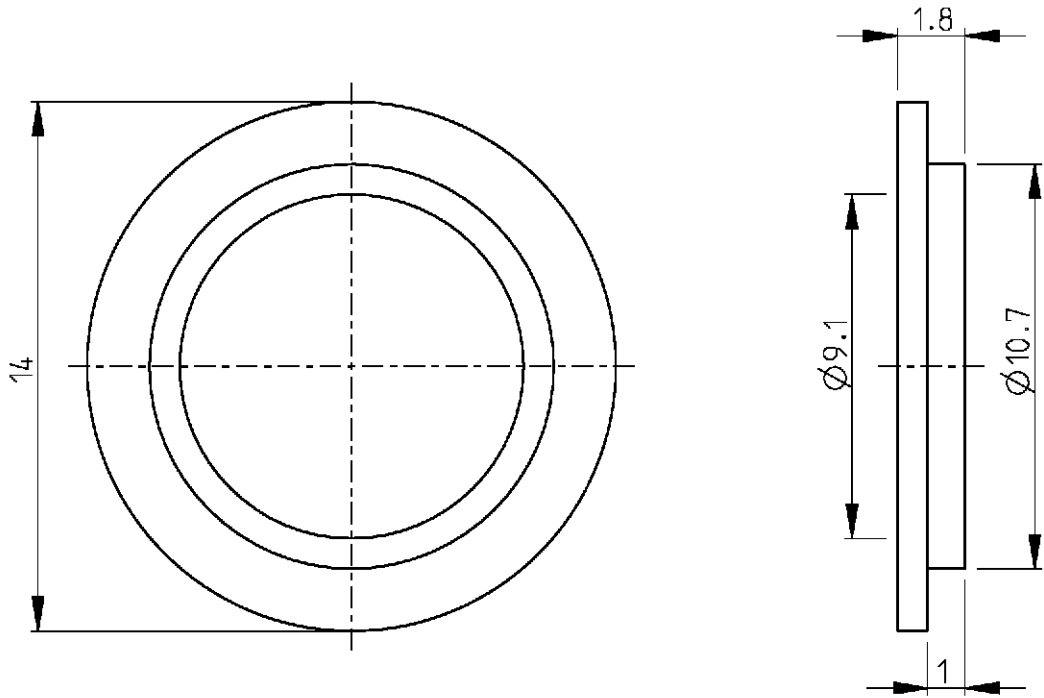
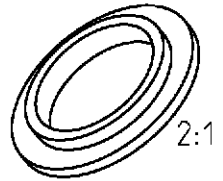
Tel: +86-755-8981 8866 Fax: +86-755-8427 6832

Email & Skype: info@chipsmall.com Web: www.chipsmall.com

Address: A1208, Overseas Decoration Building, #122 Zhenhua RD., Futian, Shenzhen, China



LOC	DIST	REVISIONS			
P	LTR	DESCRIPTION	DATE	DWN	APVD
GW	-	A	-	05APR2001	BL KM



Tolerance : ISO 8015 ISO 2768-m-R



Cross reference	
Old part number	Tyco part number
C23335-A803-C127	1393562-5

THIS DRAWING IS UNPUBLISHED. 2000

RELEASED FOR PUBLICATION BY TYCO ELECTRONICS CORPORATION. ALL RIGHTS RESERVED. COPYRIGHT 2000

DIMENSIONS: mm	DWN	21FEB2001	MATERIAL	POM	FINISH	-
	CHR	22FEB2001	Tyco Electronics Oostkamp - Belgium			
TOLERANCES UNLESS OTHERWISE SPECIFIED:	K. Mattheeuws	23FEB2001				
0 PLC ±	APVD	-	SIZE	CAGE CODE	DRAWING NO	RESTRICTED TO
1 PLC ±	D. Bozzer	-	A 4	00779	C=1393562-5	-
2 PLC ±	PRODUCT SPEC	-	CUSTOMER DRAWING			
3 PLC ±	APPLICATION SPEC	-	SCALE	5/1	SHEET	1 OF 1
4 PLC ±	WEIGHT	-	REV	A		
ANGLES ±						