



Chipsmall Limited consists of a professional team with an average of over 10 year of expertise in the distribution of electronic components. Based in Hongkong, we have already established firm and mutual-benefit business relationships with customers from,Europe,America and south Asia,supplying obsolete and hard-to-find components to meet their specific needs.

With the principle of “Quality Parts,Customers Priority,Honest Operation,and Considerate Service”,our business mainly focus on the distribution of electronic components. Line cards we deal with include Microchip,ALPS,ROHM,Xilinx,Pulse,ON,Everlight and Freescale. Main products comprise IC,Modules,Potentiometer,IC Socket,Relay,Connector.Our parts cover such applications as commercial,industrial, and automotives areas.

We are looking forward to setting up business relationship with you and hope to provide you with the best service and solution. Let us make a better world for our industry!



Contact us

Tel: +86-755-8981 8866 Fax: +86-755-8427 6832

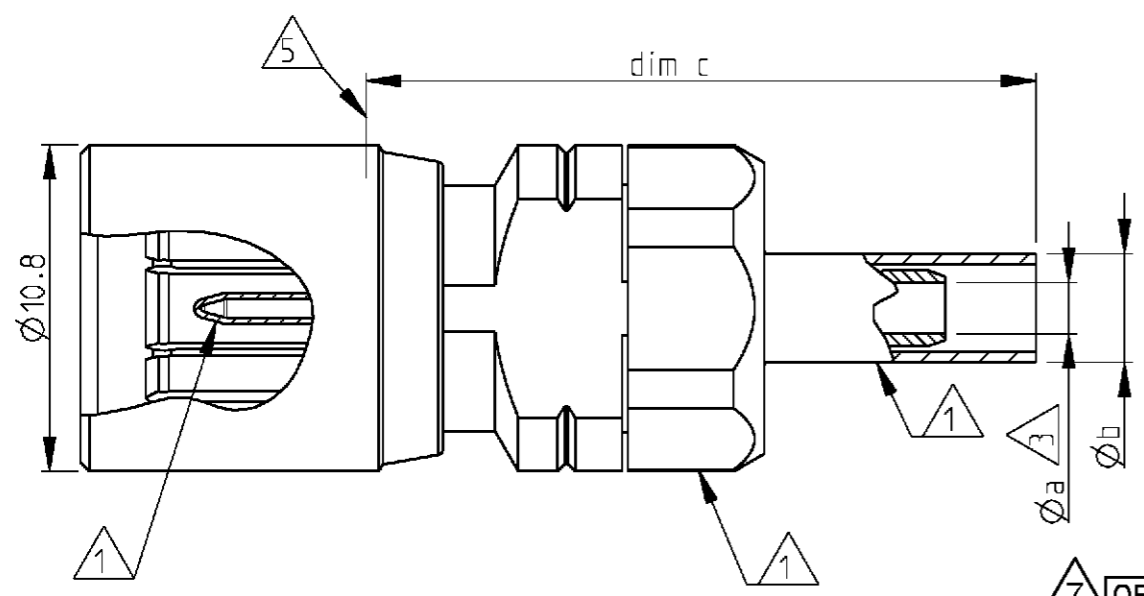
Email & Skype: info@chipsmall.com Web: www.chipsmall.com

Address: A1208, Overseas Decoration Building, #122 Zhenhua RD., Futian, Shenzhen, China



THIS DRAWING IS UNPUBLISHED. RELEASED FOR PUBLICATION 2000
 © COPYRIGHT 2000 BY TYCO ELECTRONICS CORPORATION. ALL RIGHTS RESERVED.

LOC	DIST	REVISIONS				
P	LTR	DESCRIPTION	DATE	DWN	APVD	
GW	-	A	-	05APR2001	BL	KM
		A1	REV PER ECO-09-026495	30NOV09	KK	AEG



Cross reference table

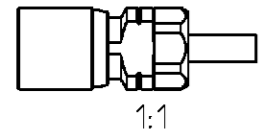
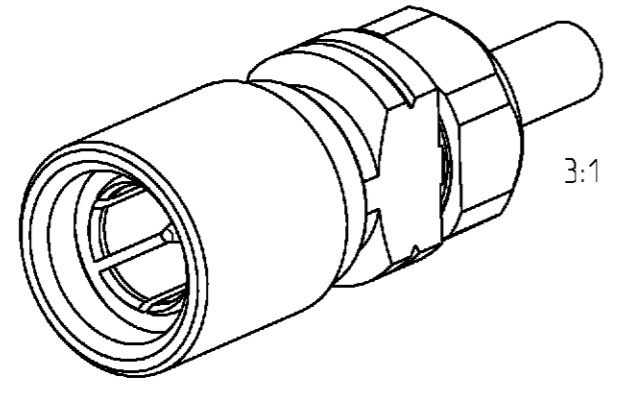
Old part number	Tyco part number	Description	Material	Plating	Øa	Øb	dim c	Cable type
V23612-A102-A45	1393680-3	Outer conductor	Brass	1 µm Au min in contact area	2.55	6.2	26.2	02YCCY 0.4/2.5 LYC(mS)CY 0.4/2.5
		Center conductor	CuBe/Brass	1 µm Au min in contact area				
		Dielectric	PTFE/PEEK	-				
V23612-A102-A46	1393680-4	Outer conductor	Brass	1 µm Au min in contact area	2.9	7.93	29.2	2YC(mS)CY 0.5/3.0
		Center conductor	CuBe/Brass	1 µm Au min in contact area				
		Dielectric	PTFE/PEEK	-				
V23612-A102-A49	1393680-5	Outer conductor	Brass	1 µm Au min in contact area	4.3	7.93	29.2	2YCY 0.7/4.4
		Center conductor	CuBe/Brass	1 µm Au min in contact area				
		Dielectric	PTFE/PEEK	-				
V23612-A102-A76	1393680-9	Outer conductor	Brass	1 µm Au min in contact area	2.15	5.2	26.2	02Y(st) CY 0.45/2.0
		Center conductor	CuBe/Brass	1 µm Au min in contact area				
		Dielectric	PTFE/PEEK	-				
V23612-A102-A76A	1-1393680-0	Outer conductor	Brass	1 µm Au min in contact area	2.15	5.2	26.2	02Y(st) CY 0.45/2.0
		Center conductor	CuBe/Brass	1 µm Au min in contact area				
		Dielectric	PTFE/PEEK	-				
V23612-E102-A76	1393680-5	Outer conductor	Brass	1 µm Au min in contact area	2.15	5.2	26.2	02Y(st) CY 0.45/2.0
		Center conductor	CuBe/Brass	1 µm Au min in contact area				
		Dielectric	PTFE/PEEK	-				

7 OBSOLETE

7 OBSOLETE

7 OBSOLETE

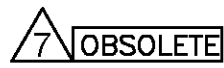
- 7** OBSOLETE PARTS: OBSOLETE CIS STREAMLINING PER D.RENAUD/D.SINISI
- 6** Packed in tray
- 5** Reference plane.
- 4) Mating face according to DIN 47295/CECC 22240.
- 3** Minimum dimension.
- 2) All dimensions are maximum unless otherwise specified.
- 1** Supplied as loose part.


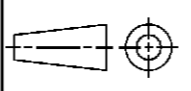


THIS DRAWING IS A CONTROLLED DOCUMENT FOR TYCO ELECTRONICS CORPORATION IT IS SUBJECT TO CHANGE AND THE CONTROLLING ENGINEERING ORGANIZATION SHOULD BE CONTACTED FOR THE LATEST REVISION.		DWN B. Lenvain 27FEB2001 CHK K. Mattheeuws 5APR2001 APVD R. Leeman 5APR2001		tyco Electronics Tyco Electronics Oostkamp - Belgium	
DIMENSIONS: mm 		TOLERANCES UNLESS OTHERWISE SPECIFIED: 0 PLC ± 1 PLC ± 2 PLC ± 3 PLC ± 4 PLC ± ANGLES ±		NAME Cable plug 1.6/5.6 75 OHM	
MATERIAL - FINISH -		PRODUCT SPEC - APPLICATION SPEC 114-71019 WEIGHT -		SIZE A3 CAGE CODE 00779 DRAWING NO ©-1393680-2 RESTRICTED TO -	
CUSTOMER DRAWING				SCALE 5/1 SHEET 1 OF 2 REV A1	

THIS DRAWING IS UNPUBLISHED. RELEASED FOR PUBLICATION 2000
 © COPYRIGHT 2000 BY TYCO ELECTRONICS CORPORATION. ALL RIGHTS RESERVED.

LOC	DIST	REVISIONS			
P	LTR	DESCRIPTION	DATE	DWN	APVD
	-	SEE SHEET 1	-	-	-

Cross reference table								
Old part number	Tyco part number	Description	Material	Plating	Øa	Øb	dim c	Cable type
 V23612-A102-A24	1393680-1	Outer conductor	Brass	1 µm Au min in contact area	2.15	5.2	26.2	R1-T1 2.0 LI 75k
		Center conductor	CuBe/Brass	1 µm Au min in contact area				
		Dielectric	PTFE/PEEK	-				
V23612-A102-A41	1393680-2	Outer conductor	Brass	1 µm Au min in contact area	1.7	3.6	26.2	RG 179 B/U
		Center conductor	CuBe/Brass	1 µm Au min in contact area				
		Dielectric	PTFE/PEEK	-				

<small>THIS DRAWING IS A CONTROLLED DOCUMENT FOR TYCO ELECTRONICS CORPORATION. IT IS SUBJECT TO CHANGE AND THE CONTROLLING ENGINEERING ORGANIZATION SHOULD BE CONTACTED FOR THE LATEST REVISION.</small>		DWN	27FEB2001		 Tyco Electronics Oostkamp - Belgium
DIMENSIONS: mm		CHK	5APR2001		
		APVD	5APR2001		
TOLERANCES UNLESS OTHERWISE SPECIFIED:		APVD	5APR2001		NAME
0 PLC	±	PRODUCT SPEC	-		Cable plug
1 PLC	±0.5	APPLICATION SPEC	-		1.6/5.6
2 PLC	±0.13	WEIGHT	-		75 Ohm
3 PLC	±0.013		SIZE	A3	CAGE CODE
4 PLC	±0.0001		DRAWING NO	1393680-2	
ANGLES	±		RESTRICTED TO	-	
MATERIAL	-		SCALE	5/1	
FINISH	-		SHEET	2 OF 2	
			REV	A1	