



Chipsmall Limited consists of a professional team with an average of over 10 year of expertise in the distribution of electronic components. Based in Hongkong, we have already established firm and mutual-benefit business relationships with customers from,Europe,America and south Asia,supplying obsolete and hard-to-find components to meet their specific needs.

With the principle of “Quality Parts,Customers Priority,Honest Operation,and Considerate Service”,our business mainly focus on the distribution of electronic components. Line cards we deal with include Microchip,ALPS,ROHM,Xilinx,Pulse,ON,Everlight and Freescale. Main products comprise IC,Modules,Potentiometer,IC Socket,Relay,Connector.Our parts cover such applications as commercial,industrial, and automotives areas.

We are looking forward to setting up business relationship with you and hope to provide you with the best service and solution. Let us make a better world for our industry!



Contact us

Tel: +86-755-8981 8866 Fax: +86-755-8427 6832

Email & Skype: info@chipsmall.com Web: www.chipsmall.com

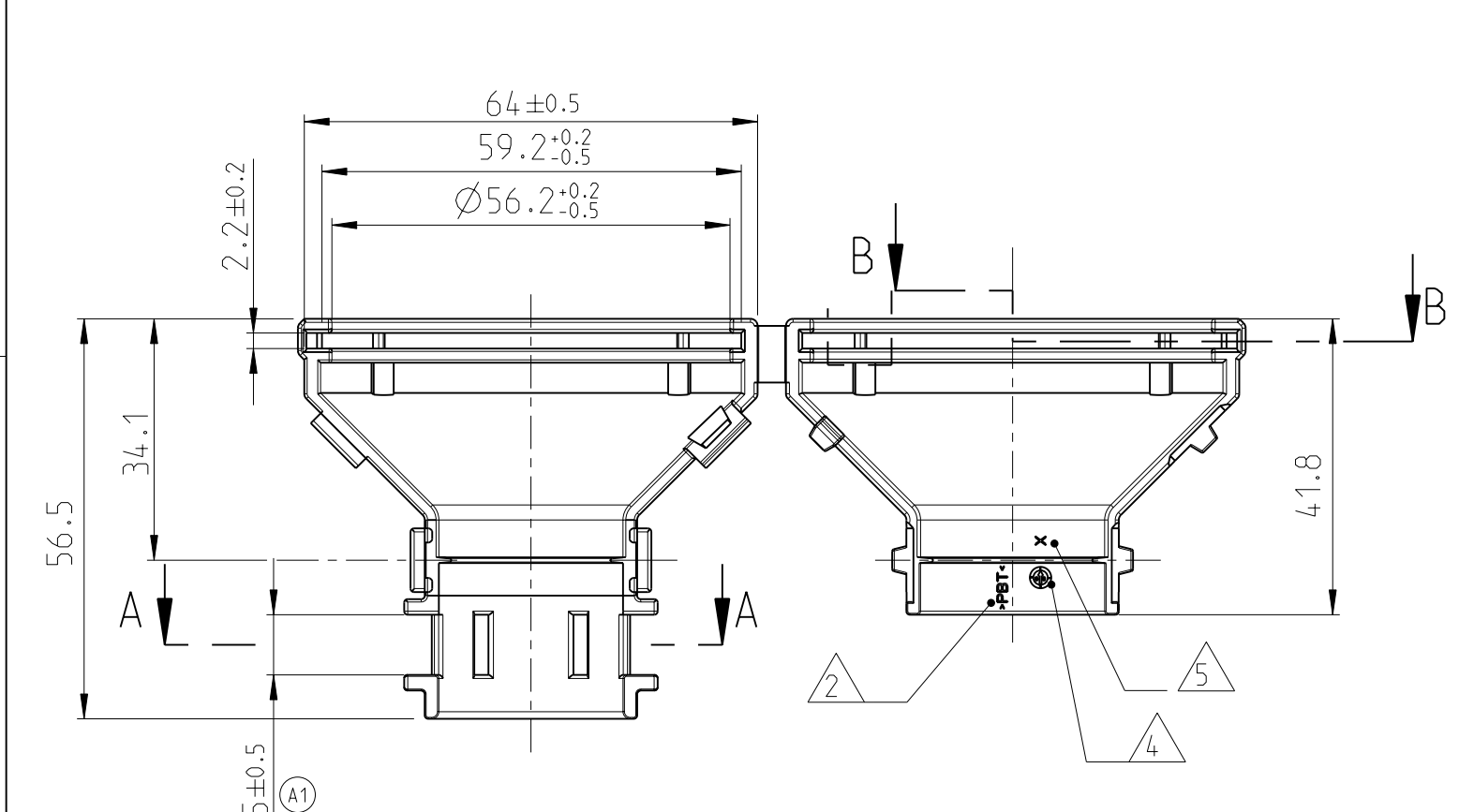
Address: A1208, Overseas Decoration Building, #122 Zhenhua RD., Futian, Shenzhen, China



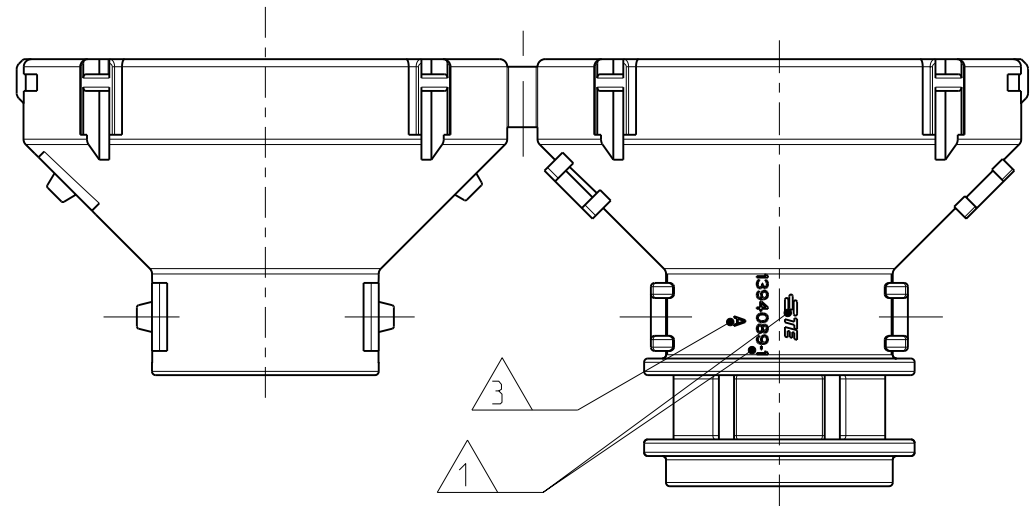
THIS DRAWING IS UNPUBLISHED
 VERTRAULICHE UNVERÖFFENTLICHTE ZEICHNUNG
 RELEASED FOR PUBLICATION
 FREI FUER VERÖFFENTLICHUNG
 OCT 1999
 ALL RIGHTS RESERVED.
 ALLE RECHTE VORBEHALTEN

MATED WITH:
 PASSEND ZU:
 1394081/1718232

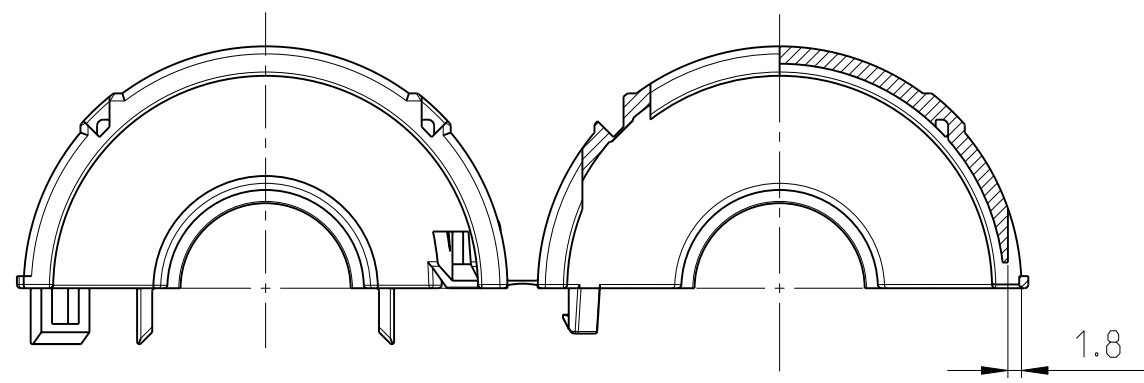
LOC	DIST	REVISIONS ÄNDERUNGEN					
		P	LTR	DESCRIPTION BESCHREIBUNG	DATE	DWN	APVD
A1	-			DIM 8.5±0.5 WAS 8.5±0.3; DIM R17+0.3/-0.7 WAS	13DEC2000	H.H	J.G
			A1	SPECIFICATION NO. ADDED Spezifikationsnr. hinzugefügt	20SEP2001	CE	-
			A2	ADR APPROVAL NO. ADDED Bauteilkennzeichen Freigaben Bemerkung hinzu	15OCT2003	CG	CE
			A3	DETAILS SEE PCN E-12-004292 Details siehe PCN E-12-004292	09MAY2012	REK	CE



SECTION B-B
Schnitt B-B



SECTION A-A
Schnitt A-A



NOTES

Bemerkungen

- ① TE CONNECTIVITY-LOGO AND NUMBER
TE CONNECTIVITY-Logo und Nummer
- ② MATERIAL-MARKING
Werkstoffkennzeichnung
- ③ REVISION STATUS OF THE MOULD
Werkzeugaenderungsindex
- ④ PRODUCTION DATE
Produktionsdatum
- ⑤ CAVITY MARKING
Nestmarkierung
- ④ 6 SUITABLE FOR: TE-PN 1394081, TE-PN 1718232
Passend zu: TE-PN 1394081, TE-PN 1718232

1394089-1	A	CAP Abdeckkappe
ORDER-NO. Bestell-Nr.	REV	DESCRIPTION Beschreibung

THIS DRAWING IS A CONTROLLED DOCUMENT.
 DIESES ZEICHNUNGSDOKUMENT WIRD DURCH AMP INCORPORATED KONTROLLIERT.
 ÄNDERUNGEN, DIE DEM TECHNISCHEN FORTSCHRITT DIENEN, SIND VORBEHALTEN.
 DEN JEWEILS LETZTUELTIGEN ÄNDERUNGSSTAND ERFAHREN SIE AUF ANFRAGE.

DIMENSIONS: MASSEINHEITEN: mm	TOLERANCES UNLESS OTHERWISE SPECIFIED: ALLGEMEINTOLERANZEN
	0 PLC ±0.3mm 1 PLC ± 2 PLC ± 3 PLC ± 4 PLC ± ANGLES/W INKEL ±2°
MATERIAL PBT	FINISH/OBERFLAECHE/FARBE BLACK/schwarz

DWN H. Hinrichs 13MAR00	CHK J. Granzow 24MAR00	APVD C. Eberwein 24MAR00	NAME CAP FOR 31POS. PIN AND SOCKET HOUSING Abdeckkappe fuer 31pol. Stift- u. Buchsengehäuse FOR CORRUGATED TUBES NOM. WIDTH 22 / fuer Wellrohr NW 22	
PRODUCT SPEC PRODUKTSPEZ. 108-18742 (A2)	APPLICATION SPEC VERARBEITUNGSSPEZ. 114-18449 (A2)	WEIGHT GEWICHT 22g (A2)	SIZE A3	CAGE CODE 00779
CUSTOMER DRAWING		/KUNDENZEICHNUNG		RESTRICTED TO NUR FUER -
SCALE MASSSTAB 1:1		DRAWING NO. ZEICHNUNGS-NR. G=1394089		REV A4

