



Chipsmall Limited consists of a professional team with an average of over 10 year of expertise in the distribution of electronic components. Based in Hongkong, we have already established firm and mutual-benefit business relationships with customers from,Europe,America and south Asia,supplying obsolete and hard-to-find components to meet their specific needs.

With the principle of "Quality Parts,Customers Priority,Honest Operation,and Considerate Service",our business mainly focus on the distribution of electronic components. Line cards we deal with include Microchip,ALPS,ROHM,Xilinx,Pulse,ON,Everlight and Freescale. Main products comprise IC,Modules,Potentiometer,IC Socket,Relay,Connector.Our parts cover such applications as commercial,industrial, and automotives areas.

We are looking forward to setting up business relationship with you and hope to provide you with the best service and solution. Let us make a better world for our industry!



Contact us

Tel: +86-755-8981 8866 Fax: +86-755-8427 6832

Email & Skype: info@chipsmall.com Web: www.chipsmall.com

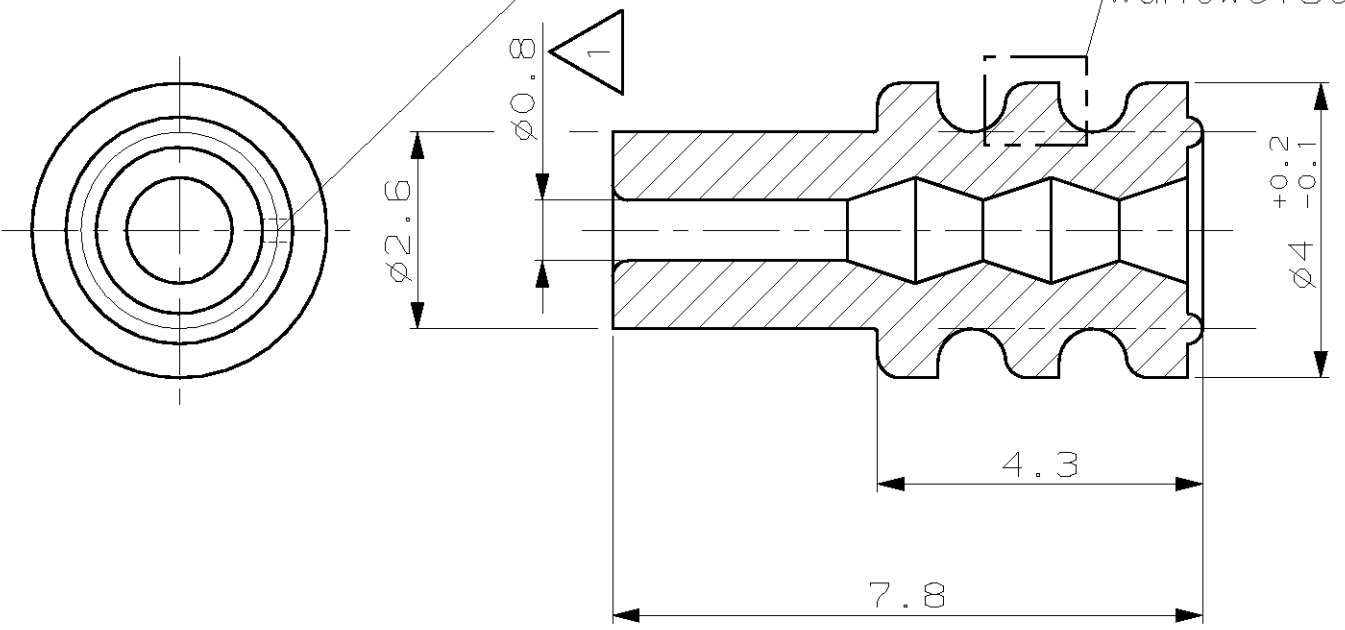
Address: A1208, Overseas Decoration Building, #122 Zhenhua RD., Futian, Shenzhen, China



MATED WITH: PASSEND ZU:	LOC AI	DIST -	REVISIONS AENDERUNGEN DESCRIPTION BESCHREIBUNG				DATE	DWN	APVD
-	AI	-	P	LTR					
PROJEKT NR.: 94-52102				A1	NEW PART, DRAWING PUBLISHED	24.07.00	B.ArnoLd	S.Glaser	
				A2	EC NUMBER DELETED	02AUG02	R.Meier	U.Mank	
				A3	REMARK 1 UPDATED / 0.35mm ² ADDED	27OCT03	R.Meier	U.Mank	

OPTIONAL INTERRUPTED
 wahlweise unterbrochen

OPTIONAL
 wahlweise



REMARKS
 Bemerkungen

△ SUITABLE TO INSULATION-Ø 1.2-1.6mm
 passend zu Isolations-Ø (0.35, 0.5mm² FLR)

1:1



THIS DRAWING IS UNPUBLISHED. VERTRAULICHE UNVEREFFENTLICHTE ZEICHNUNG.
 ALL RIGHTS RESERVED. ALLE RECHTE VORBEHALTEN.
 BY AMP INCORPORATED. BY AMP INCORPORATED.
 COPYRIGHT 19-2000

-	1394133-1	A	-	SILICON MVQ, SHORE A 50° LUBRICATED, Lubriziert	BLUE blau	SINGLE WIRE SEAL Einzelleiterdichtung	-
CUSTOMER PART NO	AMP PART NO	REV.	PCS.	MATERIAL	SURFACE COLOR	DESCRIPTION	ITEM NO

DIMENSIONS: DIMENSIONEN: mm TOLERANCES UNLESS OTHERWISE SPECIFIED: ALLGEMEINTOLERANZEN p. ISO 8015 p. ISO 2768 - mH -E p. DIN 16901 - 140 0 PLC ±- 1 PLC ±0.2 2 PLC ±- 3 PLC ±- ANGLES/WINKEL ±-	DWN B.ArnoLd 24-JUL-00	MATERIAL SEE TABLE siehe Tabelle	FINISH OBERFLAECHE/FARBE SEE TABLE siehe Tabelle		
	CHK S.Glaser 24-JUL-00	AMP tyco Electronics AMP GmbH D - 64625 Bensheim			
	APVD -				
	PRODUCT SPEC PRODUKTSPEZ. -	NAME Micro Timer 2 / AMP MCP1.5K SINGLE WIRE SEAL Einzelleiterdichtung			
APPLICATION SPEC VERARBEITUNGSSPEZ. -	SIZE A4	CAGE CODE 00779	DRAWING NO ZEICHNUNGS-NR. C-1394133	RESTRICTED TO NUR FUER -	
WEIGHT GEWICHT ca. 0.1g	CUSTOMER DRAWING /KUNDENZEICHNUNG		MASSSTAB 10:1	BLATT 1 OF 1 VON 1	REV. A3