



Chipsmall Limited consists of a professional team with an average of over 10 year of expertise in the distribution of electronic components. Based in Hongkong, we have already established firm and mutual-benefit business relationships with customers from,Europe,America and south Asia,supplying obsolete and hard-to-find components to meet their specific needs.

With the principle of “Quality Parts,Customers Priority,Honest Operation,and Considerate Service”,our business mainly focus on the distribution of electronic components. Line cards we deal with include Microchip,ALPS,ROHM,Xilinx,Pulse,ON,Everlight and Freescale. Main products comprise IC,Modules,Potentiometer,IC Socket,Relay,Connector.Our parts cover such applications as commercial,industrial, and automotives areas.

We are looking forward to setting up business relationship with you and hope to provide you with the best service and solution. Let us make a better world for our industry!



Contact us

Tel: +86-755-8981 8866 Fax: +86-755-8427 6832

Email & Skype: info@chipsmall.com Web: www.chipsmall.com

Address: A1208, Overseas Decoration Building, #122 Zhenhua RD., Futian, Shenzhen, China



4

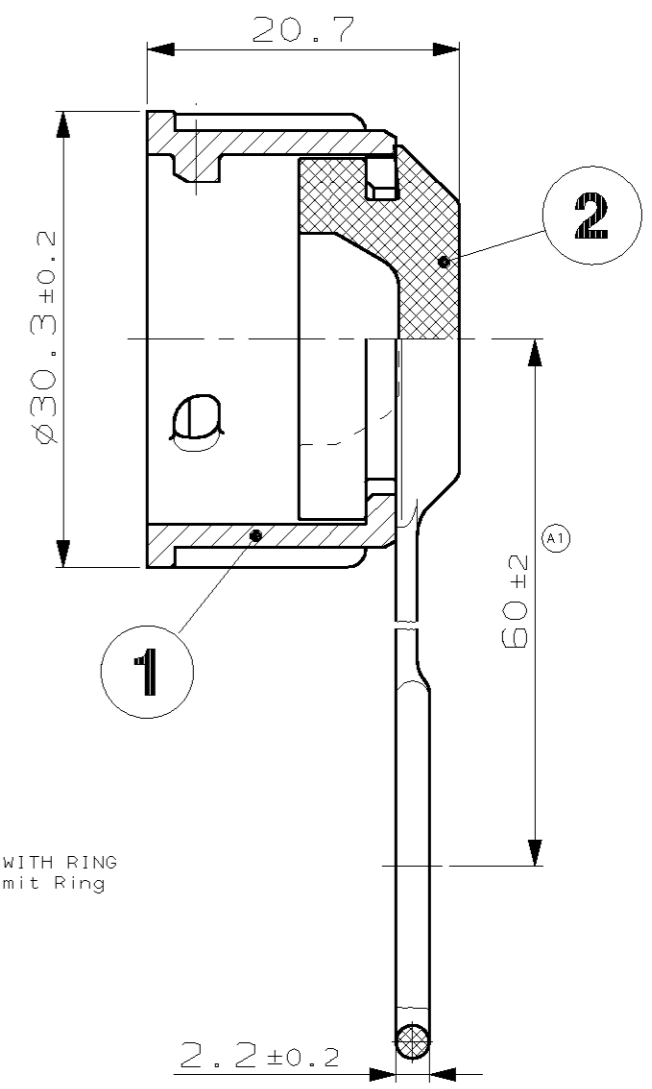
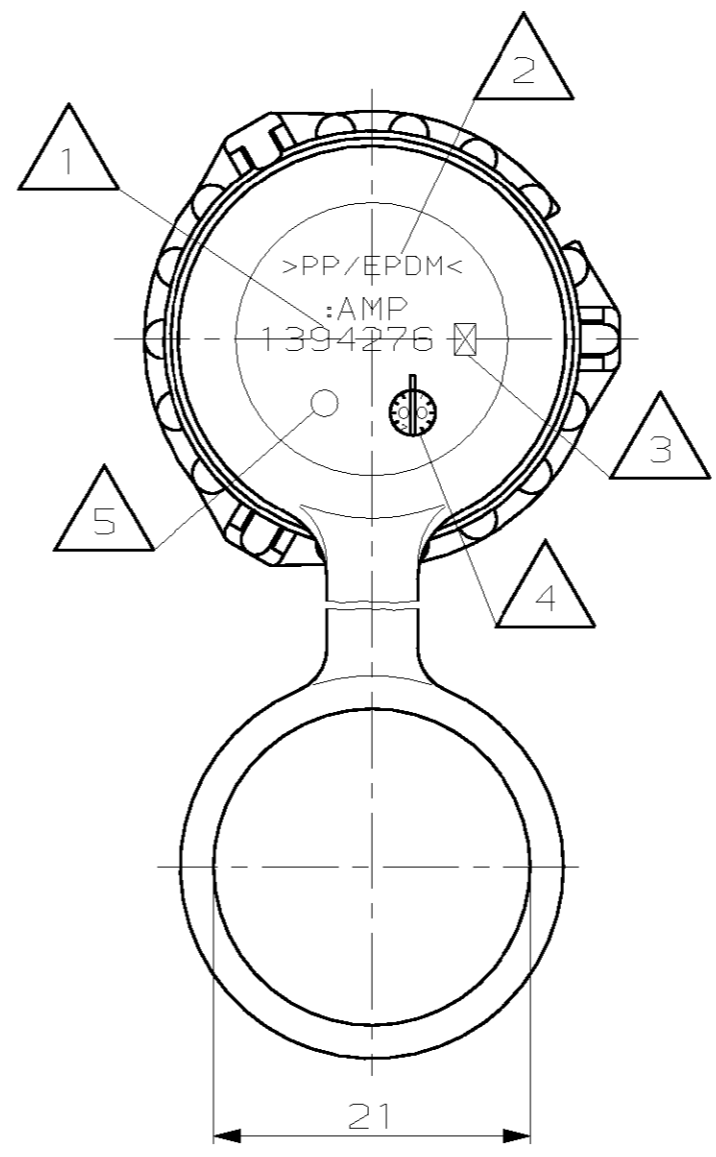
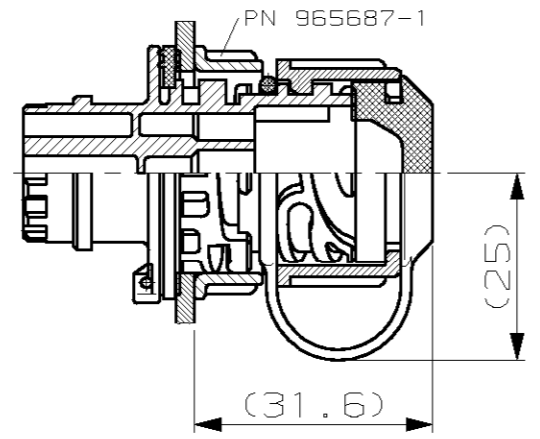
3

2

1

THIS DRAWING IS UNPUBLISHED VERBÄULICHE VERÖFFENTLICHTE ZEICHNUNG		RELEASED FOR PUBLICATION FREI FUER VERÖFFENTLICHUNG		,2000.		MATED WITH: PASSEND ZU:		LOC		DIST		REVISIONS ÄNDERUNGEN											
© COPYRIGHT 2000		BY AMP INCORPORATED.		ALL RIGHTS RESERVED. ALLE RECHTE VORBEHALTEN		967402/967447		AI		-		P		LTR		DESCRIPTION BESCHREIBUNG		DATE		DWN		APVD	
WAS/war 97-52144-010												PROJECT NR.: A97-52144		A		NEW DRAWING / neue Zeichnung		03-MAY-00		C.Götz		Haß	
												A1		NEW DASH-NO. (-2) ADDED / Neue Strichzahl (-2) hinzu		01-SEP-00		Granzow		Haß			

ASSEMBLY WITH PIN HOUSING IN CUT-OFF
Zusammenbau mit Stiftgehäuse
im Befestigungsausschnitt



NOTES
Bemerkungen

- 1 AMP-LOGO AND AMP-NUMBER
AMP-Logo und AMP-Nummer
- 2 MATERIAL MARKING
Werkstoffkennzeichnung
- 3 REVISION OF THE MOULD
Werkzeugänderungsindex
- 4 PRODUCTION DATE
Produktionsdatum
- 5 CAVITY MARKING
Nestmarkierung

6 SUITABLE FOR:
2-4POS. PIN HOUSING AMP-NO. 967402;
5-7POS. PIN HOUSING AMP-NO. 967447

Passend zu:
2-4pol. Stiftgehäuse AMP-Nr. 967402;
5-7pol. Stiftgehäuse AMP-Nr. 967447

THIS DRAWING IS A CONTROLLED DOCUMENT FOR AMP INCORPORATED. IT IS SUBJECT TO CHANGE AND THE CONTROLLING ENGINEERING ORGANIZATION SHOULD BE CONTACTED FOR THE LATEST REVISION. DIESES ZEICHNUNGSDOKUMENT WIRD DURCH AMP INCORPORATED KONTROLLIERT. ÄNDERUNGEN, DIE DEM TECHNISCHEN FORTSCHRITT DIENEN, SIND VORBEHALTEN. DEN JEWEILS LETZTGÜLTIGEN ÄNDERUNGSSTAND ERFAHREN SIE AUF ANFRAGE.				DWN J. Granzow 06-APR-00		tyco Electronics AMP GmbH D - 64625 Bensheim	
DIMENSIONS: DIMENSIONEN: mm		TOLERANCES UNLESS OTHERWISE SPECIFIED: ALLGEMEINTOLERANZEN n. 150 8015		APVD -		NAME COVER FOR 4POS. AND 7POS. PIN HOUSING Schutzkappe für 4pol. und 7pol. Stiftgehäuse	
		0-PLG ±0.5mm 1-PLG ± 2-PLG ± 3-PLG ± ANGLES / WINKEL ± FINISH / OBERFLÄCHE / FARBE		PRODUCT SPEC PRODUKTSPEZ. -		DRAWING NO ZEICHNUNGS-NR. A300779 C-1394277	
MATERIAL SEE TABLE siehe Tabelle		SEE TABLE siehe Tabelle		APPLICATION SPEC VERARBEITUNGSSPEZ. -		RESTRICTED TO NUR FUER -	
WEIGHT GEWICHT -		CUSTOMER DRAWING /KUNDENZEICHNUNG		MASSSTAB 2:1		BLATT 1 OF VON 1	
REV. A1							

AMP ORDER-NO. AMP Bestell-Nr.	REV.	POS.	QTY. Stück	MATERIAL	SURFACE Oberfläche COLOR Farbe	DESCRIPTION SINGLE PARTS Beschreibung Einzelteile	ITEM NO Lfd. Nr.
1394277-2	A	3	1	PP/EPDM	BLACK/schwarz	SEALING Dichtung	2
		1	1	PA46-GF30	BLACK/schwarz	COUPLING RING Kupplungsring	
1394277-1	A	2	1	PP/EPDM	BLACK/schwarz	SEALING WITH RING Dichtung mit Ring	1
		1	1	PA46-GF30	BLACK/schwarz	COUPLING RING Kupplungsring	