



Chipsmall Limited consists of a professional team with an average of over 10 year of expertise in the distribution of electronic components. Based in Hongkong, we have already established firm and mutual-benefit business relationships with customers from,Europe,America and south Asia,supplying obsolete and hard-to-find components to meet their specific needs.

With the principle of “Quality Parts,Customers Priority,Honest Operation,and Considerate Service”,our business mainly focus on the distribution of electronic components. Line cards we deal with include Microchip,ALPS,ROHM,Xilinx,Pulse,ON,Everlight and Freescale. Main products comprise IC,Modules,Potentiometer,IC Socket,Relay,Connector.Our parts cover such applications as commercial,industrial, and automotives areas.

We are looking forward to setting up business relationship with you and hope to provide you with the best service and solution. Let us make a better world for our industry!



Contact us

Tel: +86-755-8981 8866 Fax: +86-755-8427 6832

Email & Skype: info@chipsmall.com Web: www.chipsmall.com

Address: A1208, Overseas Decoration Building, #122 Zhenhua RD., Futian, Shenzhen, China



THIS DRAWING IS UNPUBLISHED.
VERTRAULICHE UNVEROEFFENTLICHTE ZEICHNUNG

RELEASED FOR PUBLICATION
FREI FUER VEROEFFENTLICHUNG

MATED WITH:
PASSEND ZU:

LOC
A1

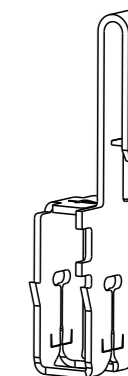
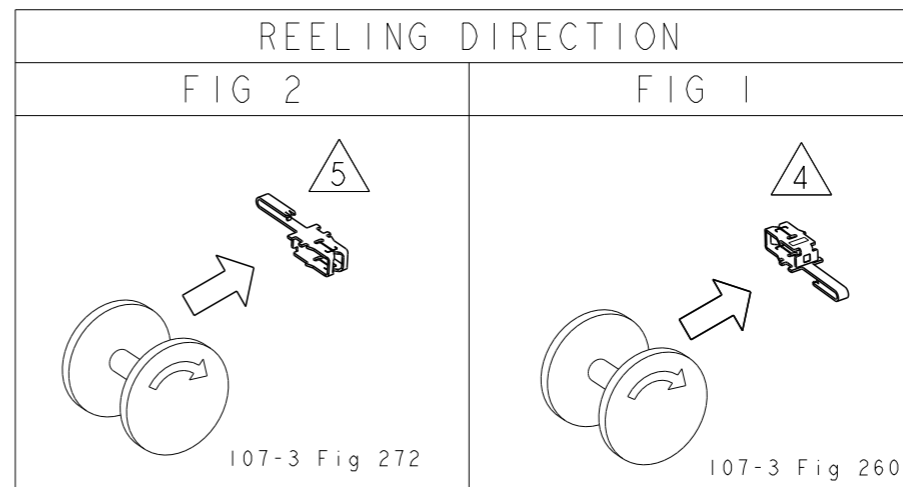
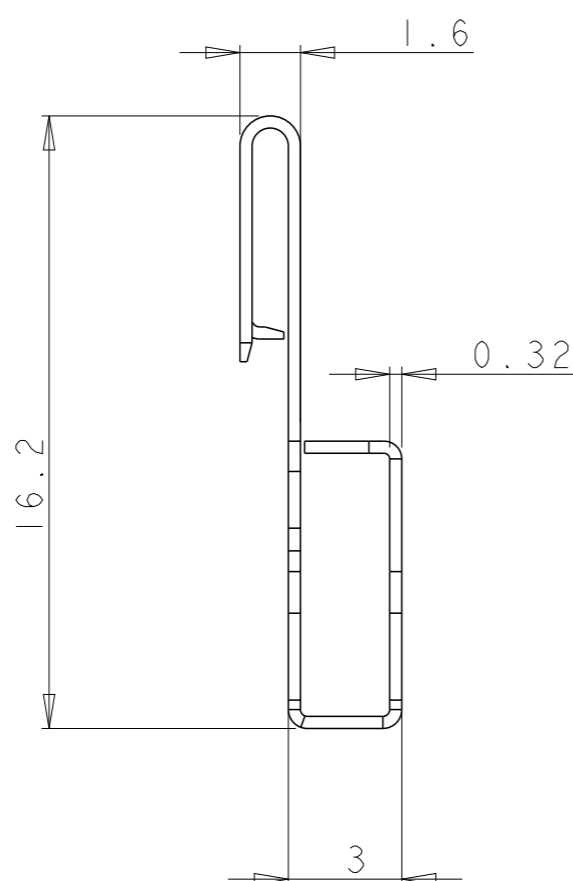
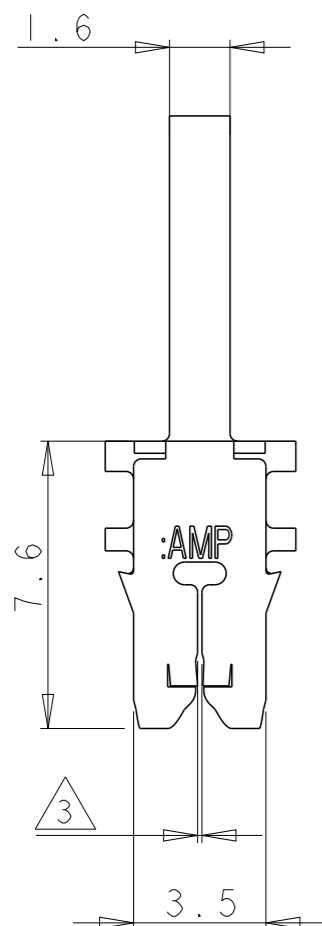
DIST
-

REVISIONS
AENDERUNGEN

© COPYRIGHT 2000 BY -

ALL RIGHTS RESERVED.
ALLE RECHTE VORBEHALTEN

P	LTR	DESCRIPTION BESCHREIBUNG	DATE	DWN	APVD
	B	SUPERSEDED STATUS REVOKED AND NOTE 2 UPDATED	27OCT2009	PKS	RRP
	B1	1- -1 AND 1- -2 VERSIONS ADDED	23JAN2013	PKS	TK

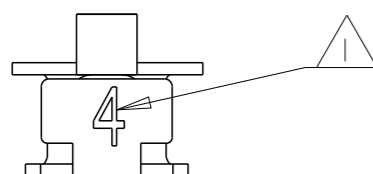


FEED 5.0±0.08

3 Schlitz geeignet fuer Kupferlackdraht einfach oder doppelt $\varnothing 0.18 \dots 0.265\text{mm}$
 SLOT ACCEPTS: SINGLE OR DOUBLE MAGNET WIRE $\varnothing 0.18 \dots 0.265\text{mm}$

2 Kontaktkammer nach Zeichnung Nr. 411-18517
 CONTACT CAVITY ACCORDING DWG-NO. 411-18517

1 Kennziffer fuer Lackdrahtbereich (4)
 IDENTIFIKATION NO. FOR MAGNET WIRE RANGE (4)



1-1394429-2	CuNiSi	VORVERZINNT	5
1-1394429-1	CuNiSi	VORVERZINNT	5
1394429-2	CuZn30	VORVERZINNT	4
1394429-1	CuNiSi	VORVERZINNT	4
BESTELL-NR.	WERKSTOFF	OBERFLAECHE	BEMERKUNGEN

THIS DRAWING IS A CONTROLLED DOCUMENT. DIESES ZEICHNUNGSDOKUMENT WIRD DURCH AMP INCORPORATED KONTROLLIERT. AENDERUNGEN, DIE DEM TECHNISCHEN FORTSCHRITT DIENEN, SIND VORBEHALTEN. DEN JEWELIS LETZTGUELTIGEN AENDERUNGSSTAND ERFAHREN SIE AUF ANFRAGE.		DWN H. ATZMANN 27SEP2000	STE TE Connectivity	
DIMENSIONS: MASSEINHEITEN: mm		CHK H. PLOESSER 27SEP2000		
TOLERANCES UNLESS OTHERWISE SPECIFIED: ALLGEMEINTOLERANZEN		APVD T. KLENNER 27SEP2000	NAME MAG-MATE CONTACT RAST 5 D	
0 PLC ± 1 PLC ±0.2 2 PLC ±0.2 3 PLC ±0.2 4 PLC ± ANGLES/WINKEL ±1°		PRODUCT SPEC PRODUKTSPEZ. -	SIZE A300779	
MATERIAL S. TAB.		APPLICATION SPEC VERARBEITUNGSSPEZ. -	DRAWING NO. ZEICHNUNGS-NR. G=1394429	RESTRICTED TO NUR FUER -
FINISH/OBERFLAECHE/FARBE S. TAB.		WEIGHT GEWICHT -	SCALE MASSSTAB 5:1	SHEET BLATT 1 OF VON 1
		Customer Drawing	/KUNDENZEICHNUNG	REV B1