



Chipsmall Limited consists of a professional team with an average of over 10 year of expertise in the distribution of electronic components. Based in Hongkong, we have already established firm and mutual-benefit business relationships with customers from,Europe,America and south Asia,supplying obsolete and hard-to-find components to meet their specific needs.

With the principle of “Quality Parts,Customers Priority,Honest Operation,and Considerate Service”,our business mainly focus on the distribution of electronic components. Line cards we deal with include Microchip,ALPS,ROHM,Xilinx,Pulse,ON,Everlight and Freescale. Main products comprise IC,Modules,Potentiometer,IC Socket,Relay,Connector.Our parts cover such applications as commercial,industrial, and automotives areas.

We are looking forward to setting up business relationship with you and hope to provide you with the best service and solution. Let us make a better world for our industry!



## Contact us

Tel: +86-755-8981 8866 Fax: +86-755-8427 6832

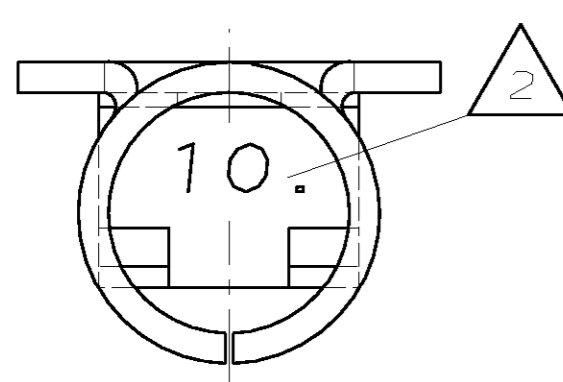
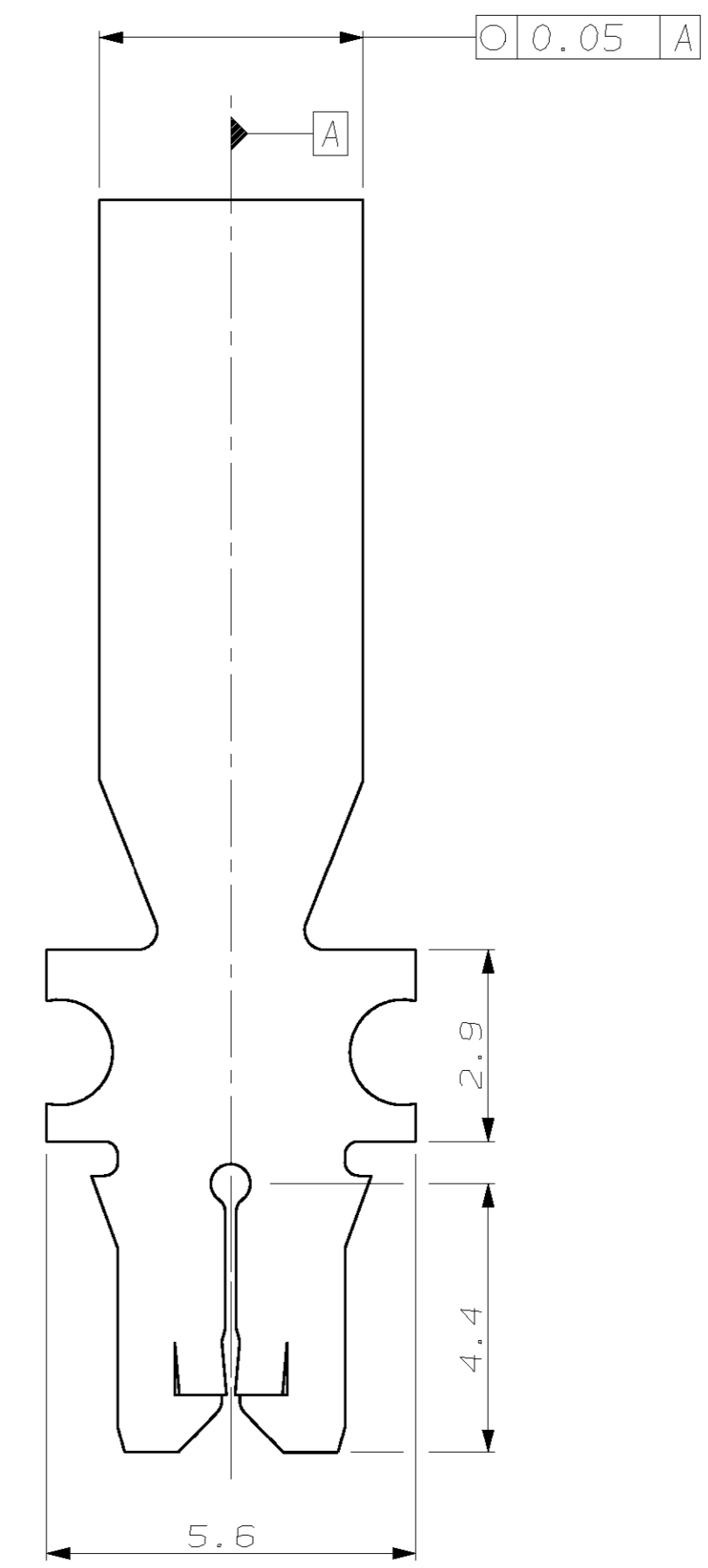
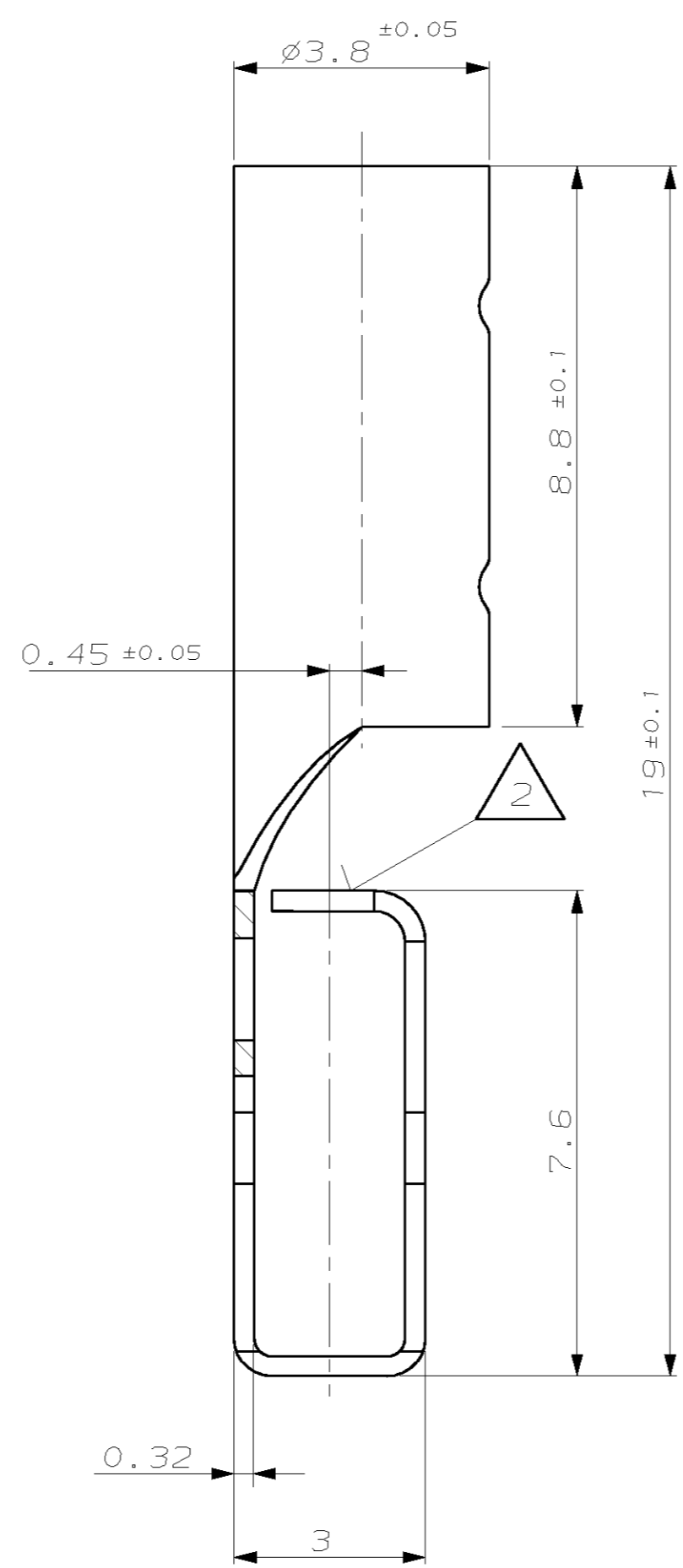
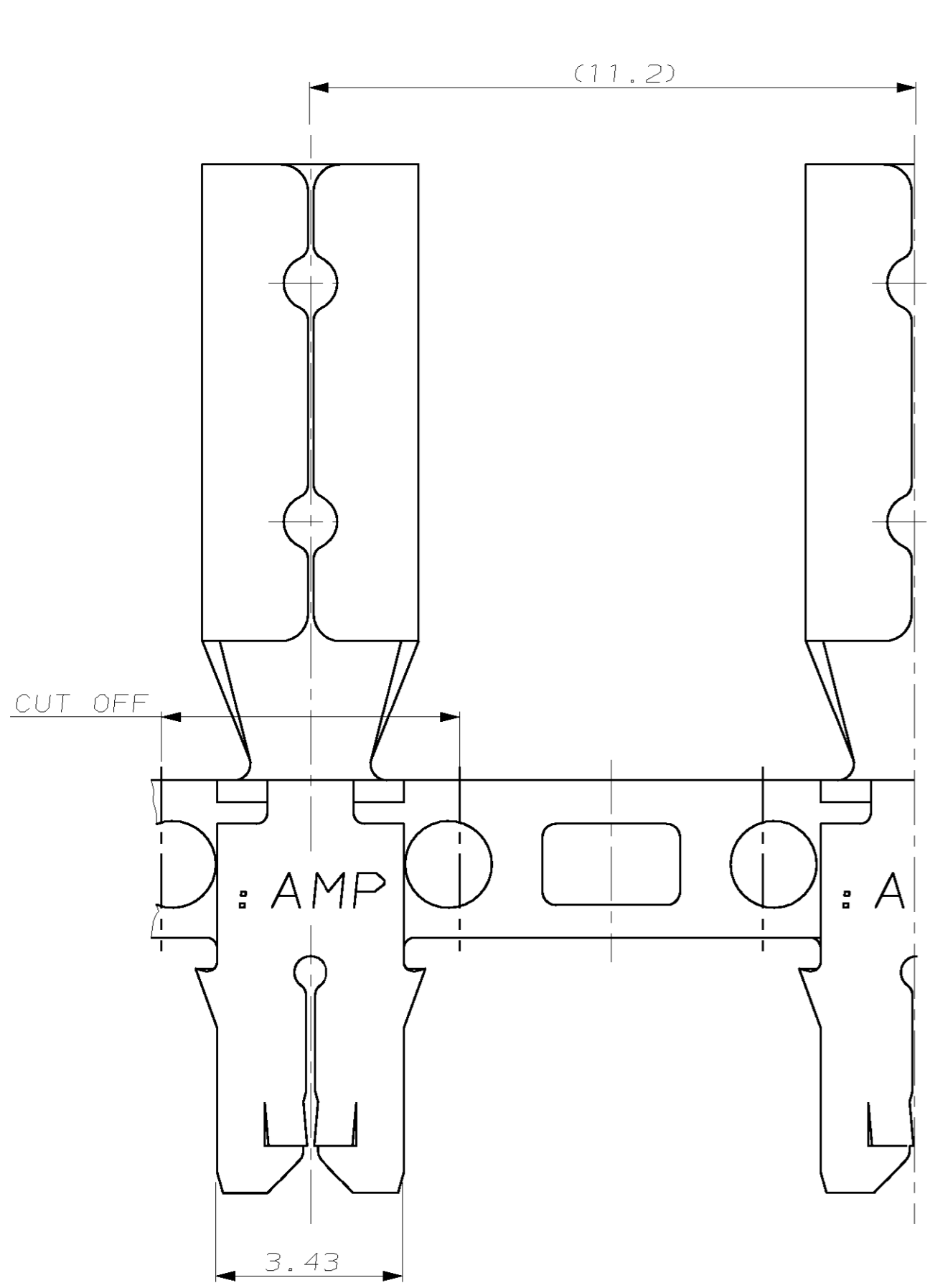
Email & Skype: info@chipsmall.com Web: www.chipsmall.com

Address: A1208, Overseas Decoration Building, #122 Zhenhua RD., Futian, Shenzhen, China



THIS DRAWING IS UNPUBLISHED. VERTRAULICHE UNVERÖFFENTLICHTE ZEICHNUNG. RELEASED FOR PUBLICATION. FREI FÜR VERÖFFENTLICHUNG. ,19-  
 (C) COPYRIGHT 2000 BY AMP INCORPORATED. ALL RIGHTS RESERVED. ALLE RECHTE VORBEHALTEN. MATED WITH: PASSEND ZU: -

LOC	DIST	REVISIONS			DATE	DWN	APVD
A1	-	P	LTR	ÄNDERUNGEN	07.02.02	IKON	PLÜ.
PROJEKT NR.: EGLPC00510		DESCRIPTION					
		BESCHREIBUNG					
		Zeichnung überarbeitet					



2 Code Zahl für Drahtgrößenbereich (10)  
 1 Geeignet für Wicklungsdraht  $\varnothing 0.4 \dots 0.57\text{mm}$

CUSTOMER PART NO	AMP PART NO	REV.	PCS.	MATERIAL	SURFACE COLOR	DESCRIPTION	ITEM NO
-	-	-	-	-	-	-	-
-	-	-	-	-	-	-	-
-	-	-	-	-	-	-	-
-	1394638-1	A1	-	CuZn30 vorverzinkt	-	MAG-MATE Stiftkontakt	-

<small>THIS DRAWING IS A CONTROLLED DOCUMENT FOR AMP INCORPORATED. IT IS SUBJECT TO CHANGE AND THE CONTROLLING ENGINEERING ORGANIZATION SHOULD BE CONTACTED FOR THE LATEST REVISION. DIESSES ZEICHNUNGSSTANDWERT WIRD DURCH AMP INCORPORATED KONTROLLIERT. ÄNDERUNGEN, DIE DEM TECHNISCHEN FORTSCHRITT DIENEN, SIND VORBEHALTEN. DEN JÄHRLICH LETZTSCHLIEßLICHEN ÄNDERUNGSSTAND BEFOLGEN SIE ALF ANFRAGE.</small>		DWN H. Atzmann 09-0CT-00	<b>AMP</b> tyco Electronics AMP GmbH D - 64625 Bensheim	
DIMENSIONS: mm TOLERANCES UNLESS OTHERWISE SPECIFIED: ALLGEMEINTOLERANZEN 0 PLC ± 1 PLC ± 2 PLC ± ± 0.2 3 PLC ± ANGLES/WINKEL ± FINISH/OBERFLÄCHE/FARBE		CHK H. PLÜßER 09-0CT-00	<b>MAG-MATE</b> Stiftkontakt $\varnothing 3.8\text{mm}$	
MATERIAL SEE TAB.		APVD -	SIZE A2	RESTRICTED TO NUR FUER
SEE TAB.		PRODUCT SPEC PRODUKTSPEZ.	CAGE CODE 00779	REVISIONS 1
SEE TAB.		APPLICATION SPEC VERARBEITUNGSSPEZ.	DRAWING NO ZEICHNUNGS-NR. C-1394638	REV A1
SEE TAB.		WEIGHT GEWICHT	MASSSTAB 10:1	BLATT 1 VON 1
SEE TAB.		CUSTOMER DRAWING /KUNDENZEICHNUNG		