



Chipsmall Limited consists of a professional team with an average of over 10 year of expertise in the distribution of electronic components. Based in Hongkong, we have already established firm and mutual-benefit business relationships with customers from,Europe,America and south Asia,supplying obsolete and hard-to-find components to meet their specific needs.

With the principle of “Quality Parts,Customers Priority,Honest Operation,and Considerate Service”,our business mainly focus on the distribution of electronic components. Line cards we deal with include Microchip,ALPS,ROHM,Xilinx,Pulse,ON,Everlight and Freescale. Main products comprise IC,Modules,Potentiometer,IC Socket,Relay,Connector.Our parts cover such applications as commercial,industrial, and automotives areas.

We are looking forward to setting up business relationship with you and hope to provide you with the best service and solution. Let us make a better world for our industry!



## Contact us

Tel: +86-755-8981 8866 Fax: +86-755-8427 6832

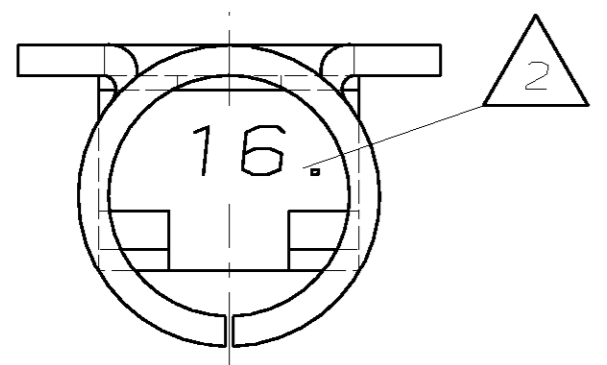
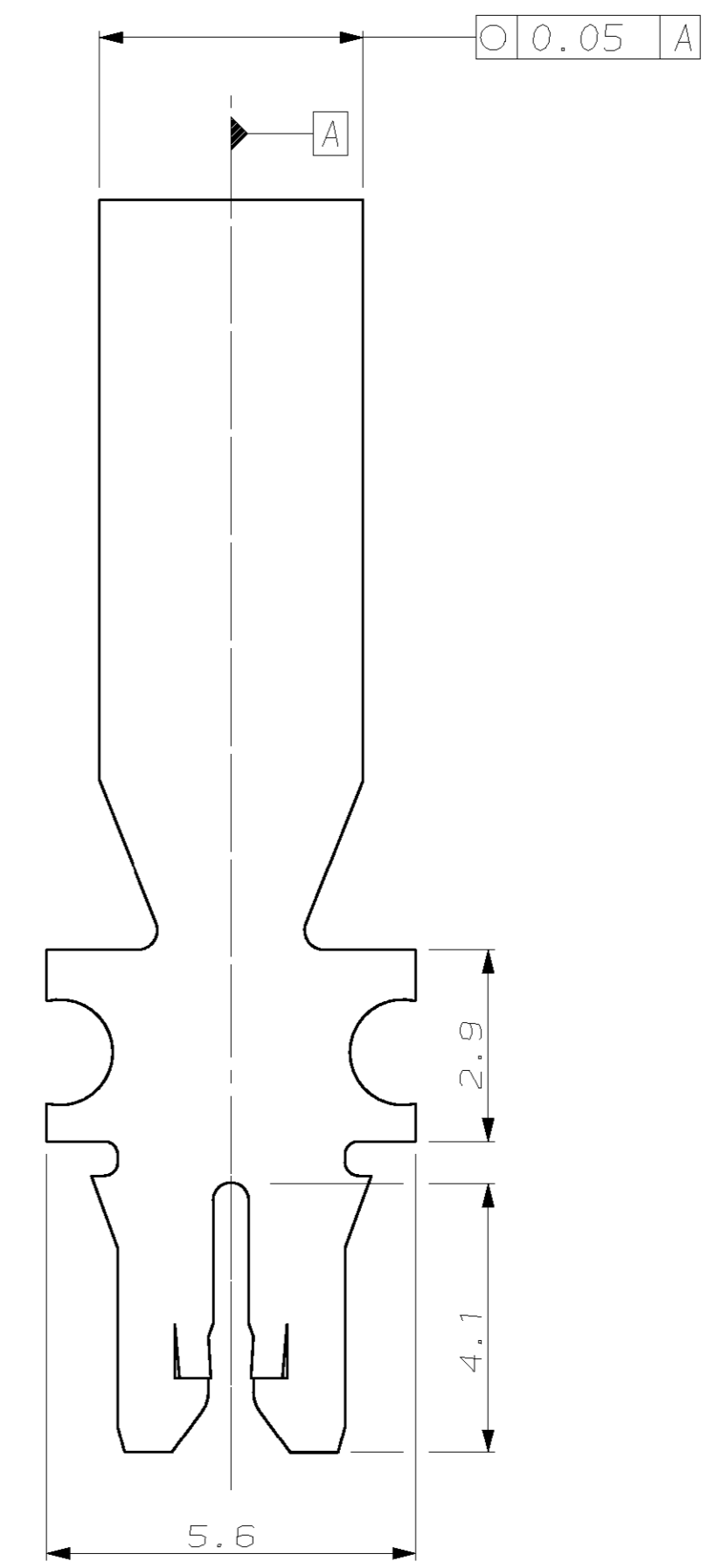
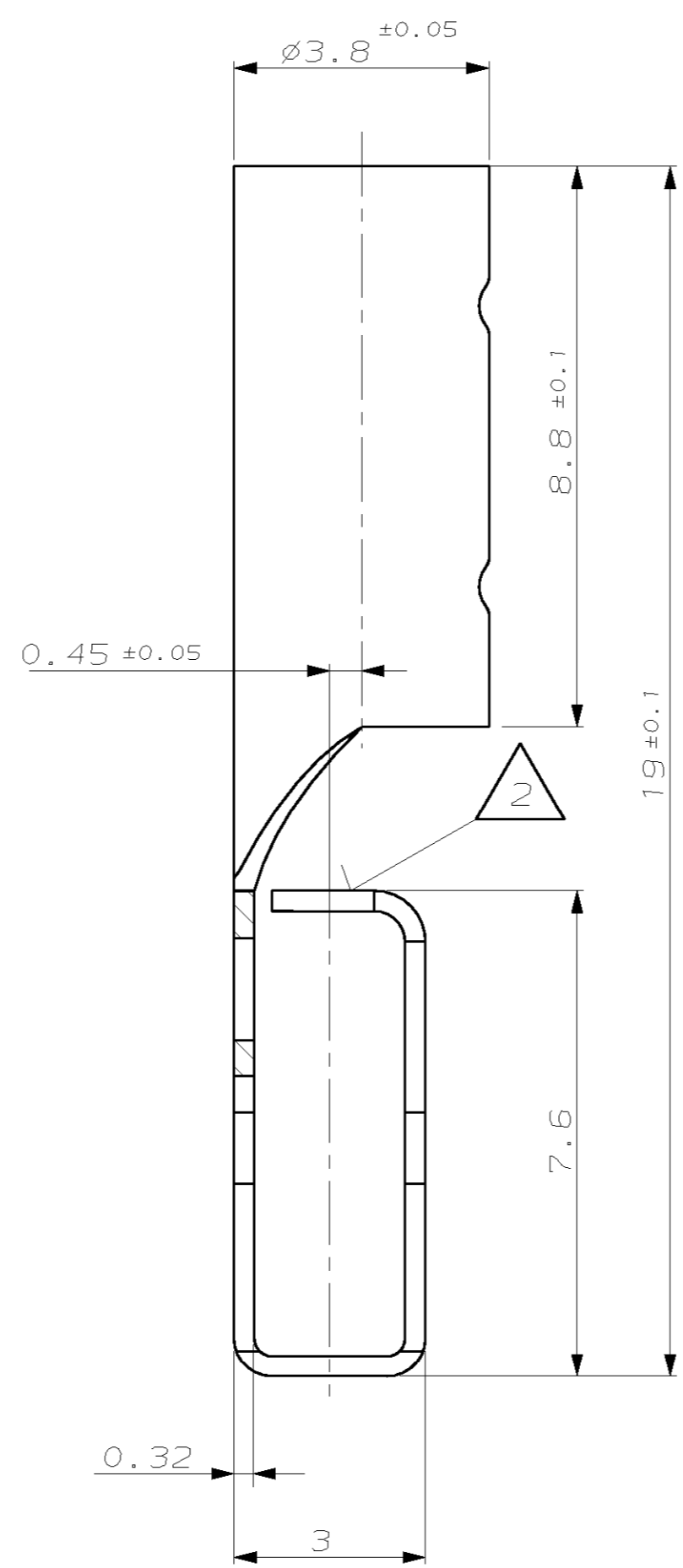
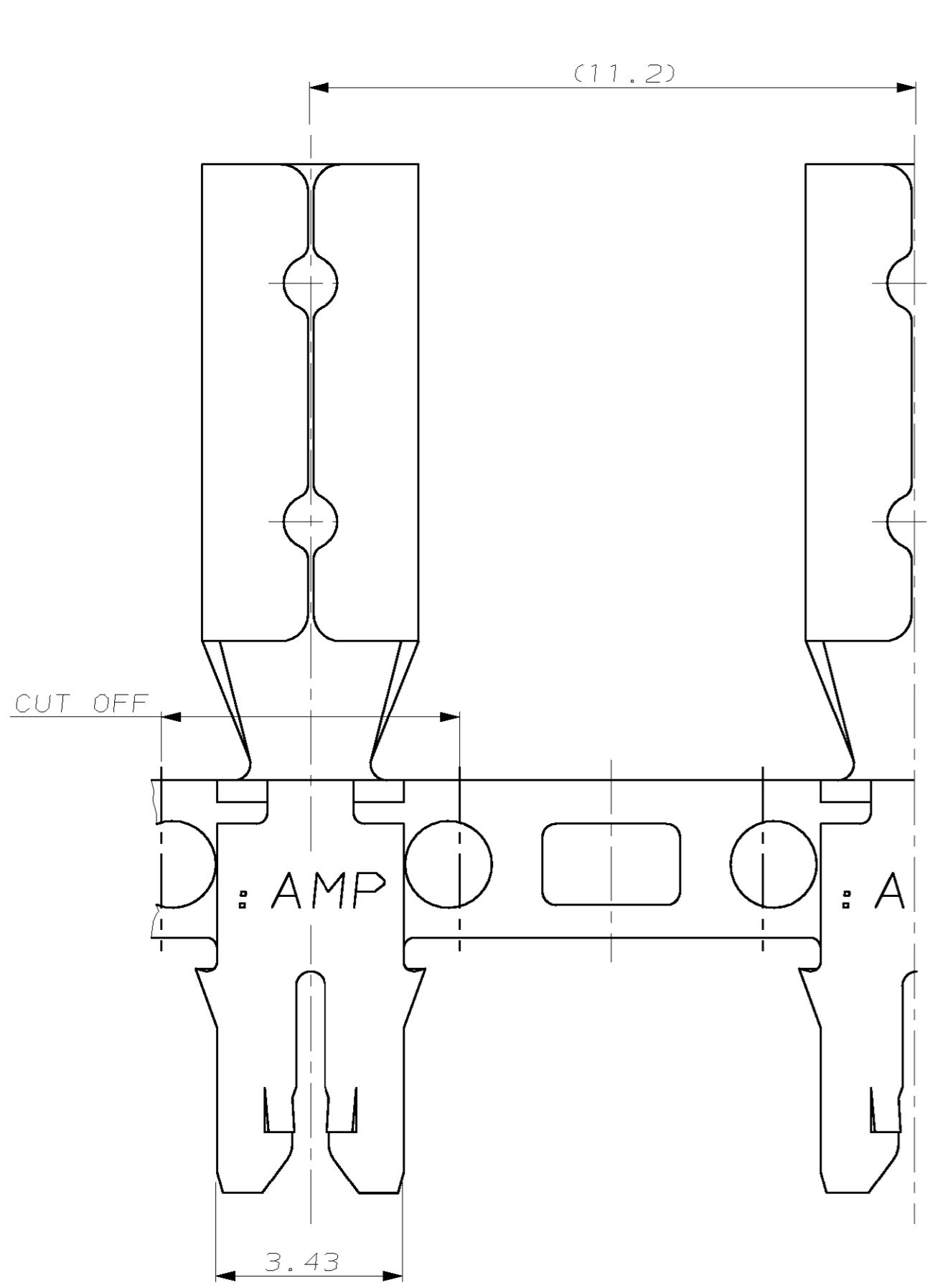
Email & Skype: info@chipsmall.com Web: www.chipsmall.com

Address: A1208, Overseas Decoration Building, #122 Zhenhua RD., Futian, Shenzhen, China



THIS DRAWING IS UNPUBLISHED. VERTRAULICHE UNVERÖFFENTLICHTE ZEICHNUNG. RELEASED FOR PUBLICATION. FREI FÜR VERÖFFENTLICHUNG. ,19-.. MATED WITH: PASSEND ZU: -  
 (C) COPYRIGHT 2000 BY AMP INCORPORATED. ALL RIGHTS RESERVED. ALLE RECHTE VORBEHALTEN

LOC	DIST	REVISIONS			DATE	DWN	APVD
A1	-	P	LTR	ÄNDERUNGEN	07.02.02	IKON	PLÜ.
PROJEKT NR.: EGLPC00510		A1 Zeichnung überarbeitet			BESCHREIBUNG		



- 3 Kontakt-Kammer nach Zeichng. 97-52852-70
- 2 Code Zahl für Drahtgrößenbereich (16)
- 1 Geeignet für Wicklungsdraht: einfach  $\varnothing 0.72 \dots 1.0\text{mm}$   
doppelt  $\varnothing 0.72\text{mm}$

CUSTOMER PART NO	AMP PART NO	REV.	PCS.	MATERIAL	SURFACE COLOR	DESCRIPTION	ITEM NO
-	-	-	-	-	-	-	-
-	-	-	-	-	-	-	-
-	-	-	-	-	-	-	-
-	1394639-1	A1	-	CuZn30 vorverzinkt	-	MAG-MATE Stiftkontakt	-

<small>THIS DRAWING IS A CONTROLLED DOCUMENT FOR AMP INCORPORATED. IT IS SUBJECT TO CHANGE AND THE CONTROLLING ENGINEERING ORGANIZATION SHOULD BE CONTACTED FOR THE LATEST REVISION. DIESSES ZEICHNUNGSÄNDERUNG WIRD DURCH AMP INCORPORATED KONTROLLIERT. ÄNDERUNGEN, DIE DEM TECHNISCHEN FORTSCHRITT DIENEN, SIND VORBEHALTEN. DEN JÄHRLICH LETZTSCHLIEßLICHEN ÄNDERUNGSSTAND BEZUGEN SIE AUF ANFRAGE.</small>		DWN H. Atzmann 09-0CT-00	<b>AMP</b> tyco Electronics AMP GmbH D - 64625 Bensheim	
DIMENSIONS: mm TOLERANCES UNLESS OTHERWISE SPECIFIED: ALLGEMEINTOLERANZEN n: ISO 8015 p: ISO 2768 - mH - E r: DIN 16901 - 140 0 PLC ±- 1 PLC ±- 2 PLC ±- ± 0.2 3 PLC ±- ANGLES/WINKEL ±- FINISH/OBERFLÄCHE/FARBE		CHK H. PLÜßER 09-0CT-00	NAME MAG-MATE Stiftkontakt $\varnothing 3.8\text{mm}$	
MATERIAL SEE TAB.		APVD -	SIZE A2	RESTRICTED TO NUR FUER
CUSTOMER DRAWING /KUNDENZEICHUNG		PRODUCT SPEC PRODUKTSPEZ. APPLICATION SPEC VERARBEITUNGSSPEZ.	DRAWING NO ZEICHNUNGS-NR. C-1394639	MASSSTAB 10:1 BLATT 1 VON 1 REV A1