



Chipsmall Limited consists of a professional team with an average of over 10 year of expertise in the distribution of electronic components. Based in Hongkong, we have already established firm and mutual-benefit business relationships with customers from,Europe,America and south Asia,supplying obsolete and hard-to-find components to meet their specific needs.

With the principle of “Quality Parts,Customers Priority,Honest Operation,and Considerate Service”,our business mainly focus on the distribution of electronic components. Line cards we deal with include Microchip,ALPS,ROHM,Xilinx,Pulse,ON,Everlight and Freescale. Main products comprise IC,Modules,Potentiometer,IC Socket,Relay,Connector.Our parts cover such applications as commercial,industrial, and automotives areas.

We are looking forward to setting up business relationship with you and hope to provide you with the best service and solution. Let us make a better world for our industry!



Contact us

Tel: +86-755-8981 8866 Fax: +86-755-8427 6832

Email & Skype: info@chipsmall.com Web: www.chipsmall.com

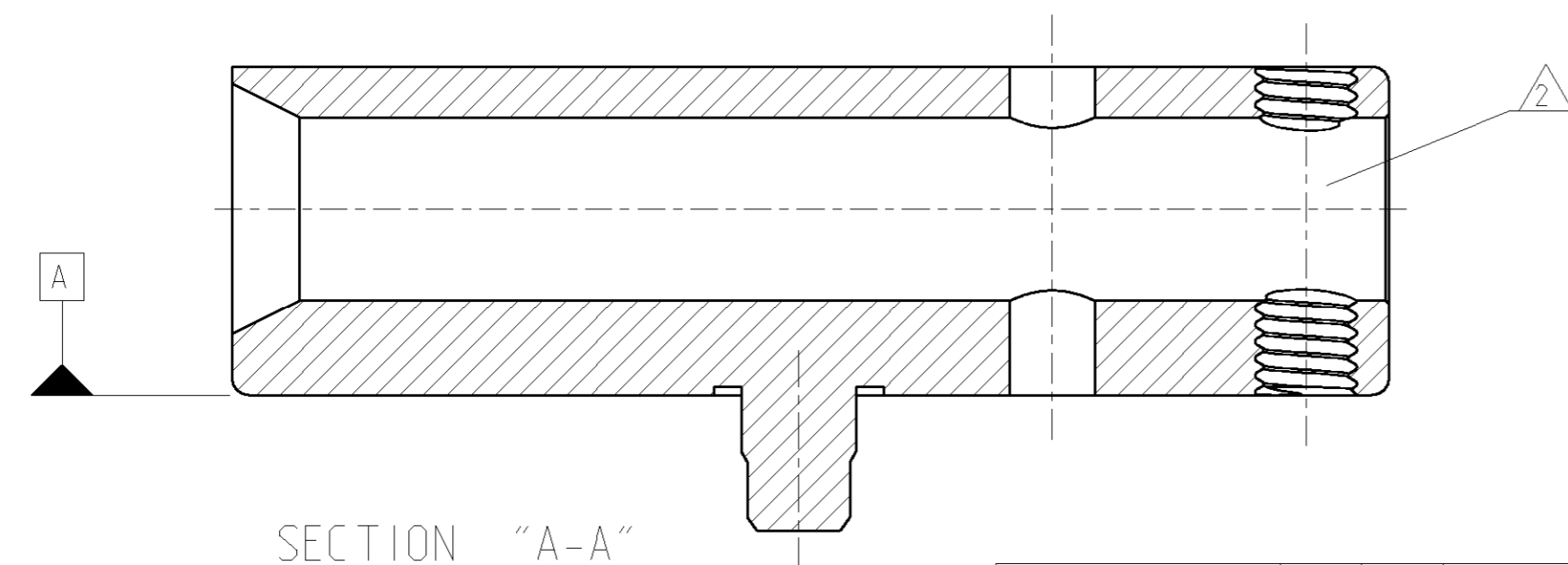
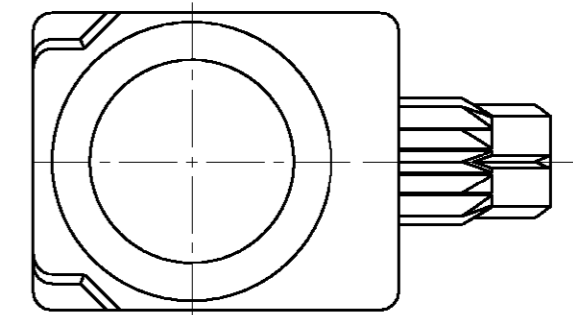
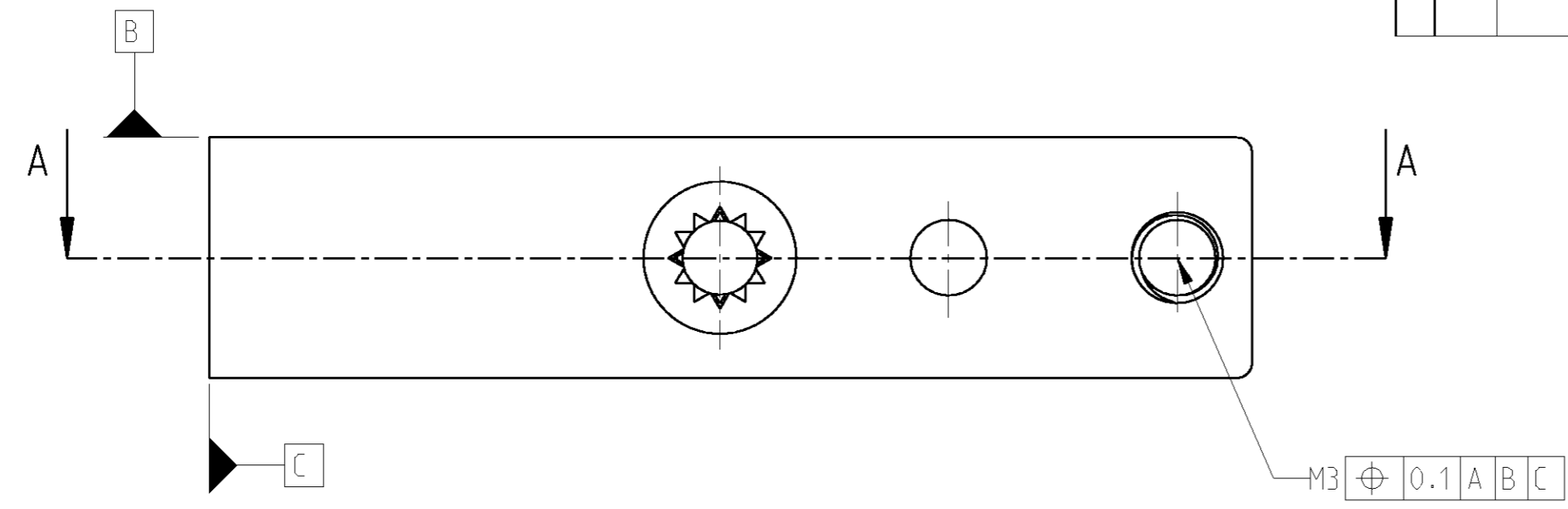
Address: A1208, Overseas Decoration Building, #122 Zhenhua RD., Futian, Shenzhen, China



THIS DRAWING IS UNPUBLISHED
 VERTRAULICHE UNVERÖFFENTLICHTE ZEICHNUNG
 © COPYRIGHT 2001 BY TYCO ELECTRONICS CORPORATION. ALL RIGHTS RESERVED.
 FREI FUER VERÖFFENTLICHUNG. ALLE RECHTE VORBEHALTEN.

MATED WITH:
 PASSEND ZU:

LOC	DIST	REVISIONS ÄNDERUNGEN					
P	LTR	DESCRIPTION BESCHREIBUNG	DATE	DWN	APVD		
A1	-						
		PROJEKT NR.: EG LPC 00047	A1	NEW DRAWING / NEUE ZEICHNUNG	06FEB01	KHH	RK



1 MADE FROM PART 223 957-1
 HERGESTELLT AUS TEIL 223 957-1

2 HOLE DIA 5.4±0.08 BORE THROUGH
 BOHRUNG Ø5.4±0.08 DURCHGEBOHRT

-1 AS SHOWN
 WIE GEZEICHNET

SECTION "A-A"
 SCHNITT

1394 864-1	1	1	FEMALE GUIDE, UNIVERSAL POWER MODULE FUEHRUNGSBUCHSE, UNIVERSAL POWER MODULE	CHROMATE CONVERSION CHROMATIERT	ZINC ALLOY ZINKLEGIERUNG
AMP ORDER NO. BESTELL-NR.	POS.	QTY. STK.	DESCRIPTION BENENNUNG	SURFACE OBERFLAECHE COLOUR/FARBE	MATERIAL

THIS DRAWING IS A CONTROLLED DOCUMENT FOR TYCO ELECTRONICS CORPORATION IT IS SUBJECT TO CHANGE AND THE CONTROLLING ENGINEERING ORGANIZATION SHOULD BE CONTACTED FOR THE LATEST REVISION. DIESES ZEICHNUNGSODOKUMENT WIRD DURCH AMP INCORPORATED KONTROLLIERT. ÄNDERUNGEN, DIE DEM TECHNISCHEN FORTSCHRITT DIENEN, SIND VORBEHALTEN. DEN JEWEILS LETZTIGELTIGEN ÄNDERUNGSSTAND ERFAHREN SIE AUF ANFRAGE.		DWN K.-H. Hess 31JAN2001 CHK R.Kraemer 31JAN2001 APVD G.Feldmeier 31JAN2001	tyco Electronics	tyco Electronics AMP GmbH D - 64625 Bensheim
DIMENSIONS: MASSEINHEITEN: mm	TOLERANCES UNLESS OTHERWISE SPECIFIED: ALLGEMEINTOLERANZEN	PRODUCT SPEC PRODUKTSPEZ. - APPLICATION SPEC VERARBEITUNGSSPEZ. -	NAME FEMALE GUIDE, UNIVERSAL POWER MODULE FUEHRUNGSBUCHSE	
	0 PLC ±0.1 1 PLC ±0.1 2 PLC ±0.1 3 PLC ±0.1 4 PLC ±0.1 ANGLES/W INKEL ±1	WEIGHT GEWICHT -	SIZE A3	CAGE CODE 00779
MATERIAL -	FINISH/OBERFLAECHE/FARBE -	DRAWING NO ZEICHNUNGS-NR. C=1394864	RESTRICTED TO NUR FUER -	SCALE MASSSTAB 5:1
CUSTOMER DRAWING / KUNDENZEICHNUNG		SHEET BLATT 1 OF 1 VON 1	REV A1	