



Chipsmall Limited consists of a professional team with an average of over 10 year of expertise in the distribution of electronic components. Based in Hongkong, we have already established firm and mutual-benefit business relationships with customers from,Europe,America and south Asia,supplying obsolete and hard-to-find components to meet their specific needs.

With the principle of “Quality Parts,Customers Priority,Honest Operation,and Considerate Service”,our business mainly focus on the distribution of electronic components. Line cards we deal with include Microchip,ALPS,ROHM,Xilinx,Pulse,ON,Everlight and Freescale. Main products comprise IC,Modules,Potentiometer,IC Socket,Relay,Connector.Our parts cover such applications as commercial,industrial, and automotives areas.

We are looking forward to setting up business relationship with you and hope to provide you with the best service and solution. Let us make a better world for our industry!



Contact us

Tel: +86-755-8981 8866 Fax: +86-755-8427 6832

Email & Skype: info@chipsmall.com Web: www.chipsmall.com

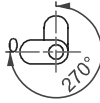
Address: A1208, Overseas Decoration Building, #122 Zhenhua RD., Futian, Shenzhen, China



LEAF HINGE



Hinge Rotation Angle



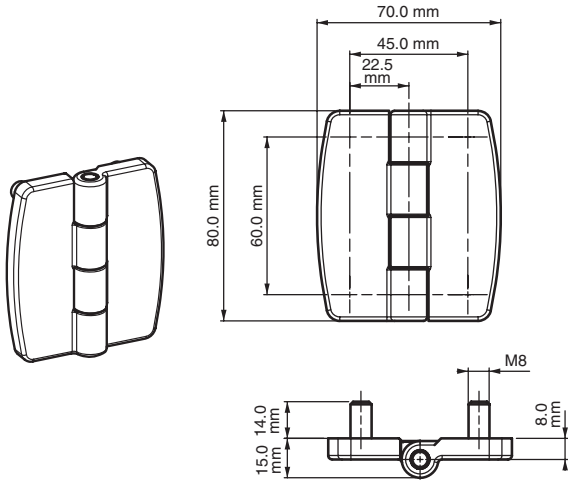
Specifications

- Material:
Body: Zinc Alloy (Zamak) DIN-EN 1774-ZnAl4Cu1
Pin: Stainless Steel
- Available in three sizes, stud installation:
- 80 mm x 70 mm
- 80 mm x 110 mm
- 80 mm x 150 mm

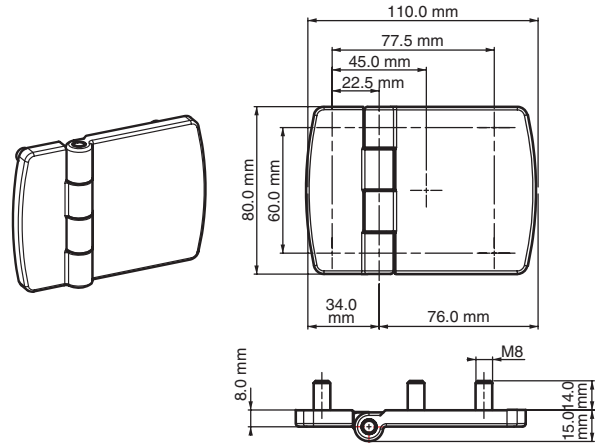
Features

- Generally used for plain / flush-mounted doors
- Stud versions fitted with M8 x 14 mm threaded stud
- Stainless steel (AISI 304) hinge pin
- Applications: Generators, machinery covers, electric panels

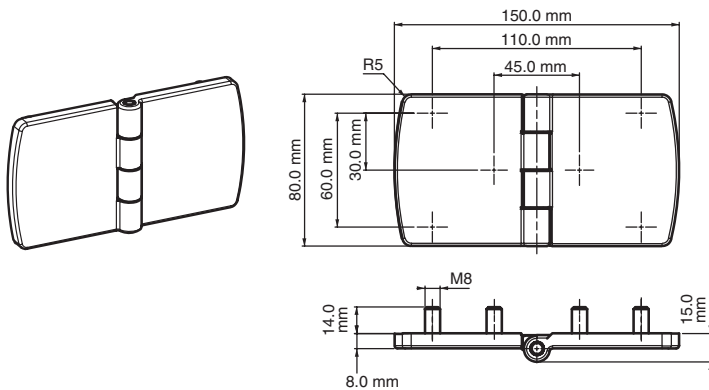
Version 1



Version 2



Version 3



Item Number	Hinge Rotation	Material	Finish	Version
1399111	270°	Zinc Alloy	Chrome	1
1399112	270°	Zinc Alloy	Chrome	2
1399113	270°	Zinc Alloy	Chrome	3
1399121	270°	Zinc Alloy	Black	1
1399122	270°	Zinc Alloy	Black	2
1399123	270°	Zinc Alloy	Black	3