



Chipsmall Limited consists of a professional team with an average of over 10 year of expertise in the distribution of electronic components. Based in Hongkong, we have already established firm and mutual-benefit business relationships with customers from,Europe,America and south Asia,supplying obsolete and hard-to-find components to meet their specific needs.

With the principle of “Quality Parts,Customers Priority,Honest Operation,and Considerate Service”,our business mainly focus on the distribution of electronic components. Line cards we deal with include Microchip,ALPS,ROHM,Xilinx,Pulse,ON,Everlight and Freescale. Main products comprise IC,Modules,Potentiometer,IC Socket,Relay,Connector.Our parts cover such applications as commercial,industrial, and automotives areas.

We are looking forward to setting up business relationship with you and hope to provide you with the best service and solution. Let us make a better world for our industry!



## Contact us

Tel: +86-755-8981 8866 Fax: +86-755-8427 6832

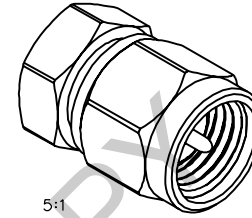
Email & Skype: info@chipsmall.com Web: www.chipsmall.com

Address: A1208, Overseas Decoration Building, #122 Zhenhua RD., Futian, Shenzhen, China

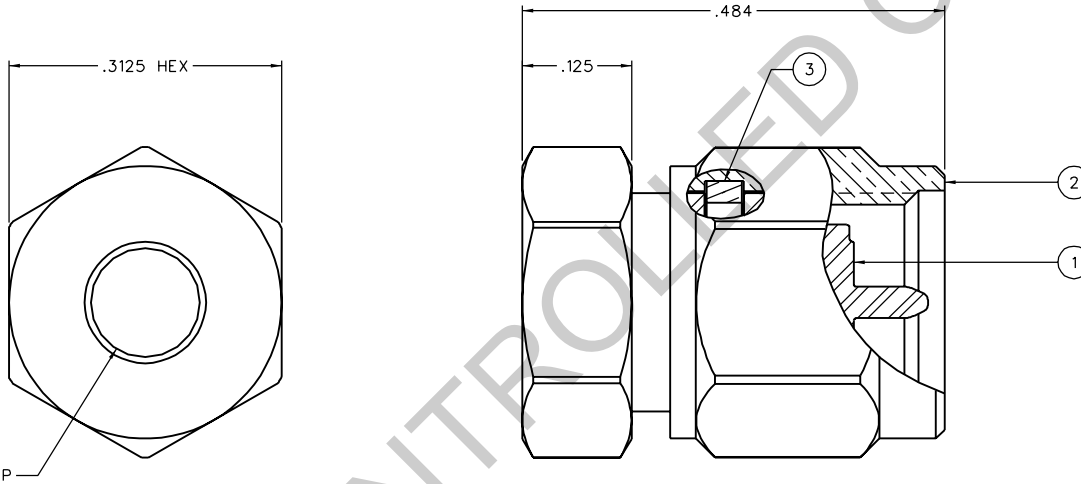


PART NUMBER 140-0000-973	ITEM ① BODY STAINLESS STEEL PASSIVATED	ITEM ② COUPLING NUT BRASS NICKEL PL .0001 MIN OVER COPPER PL .00005 MIN	ITEM ③ RETENTION SPRING BERYLLIUM COPPER UNPLATED
-----------------------------	---	---	--

DRAWING NO. C - 140-0000-973	
0	REVISIONS
ENGINEERING RELEASE	
1	7-12-04 R K
	9-29-04 ECN 49361



5:1



Ø.125 X .325 DEEP

NOTES:


- THIS FIXTURE IS TO BE USED AS AN AID DURING THE SOLDERING PROCESS OF ATTACHING AN SMA JACK CONNECTOR TO A PC BOARD. THE FIXTURE PROTECTS THE MATING END OF THE CONNECTOR FROM DAMAGE AND ALSO MAINTAINS THE PROPER LOCATION OF THE CONNECTOR INSULATOR AND CONTACT WHILE HEAT IS APPLIED DURING SOLDERING. TO USE THE FIXTURE, THREAD THE COUPLING NUT ONTO THE MATING END OF THE SMA JACK CONNECTOR AND HAND TIGHTEN TO A MAXIMUM OF 5 IN-LBS MATING TORQUE. THIS ASSEMBLY CAN NOW BE HELD IN A VICE OR SIMILAR CLAMPING DEVICE. ALLOW THE CONNECTOR TO COOL DOWN AFTER SOLDERING BEFORE REMOVING THE FIXTURE.

CUSTOMER DRAWING

THIS DRAWING TO BE INTERPRETED  
PER ANSY 14.5M - 1982

"μ STATION"

COMPANY CONFIDENTIAL

TOLERANCE UNLESS OTHERWISE SPECIFIED	DRAWN BY JRK	DATE 7-7-04	 Cinch Connectivity Solutions 299 Johnson Ave. Ste. 100 Waukegan, MN 55093 1-800-247-8256
DECIMALS _____ mm _____	CHECKED BY	DATE	
.XX _____	APPROVED BY JRK	DATE 9-29-04	TITLE SMA JACK END LAUNCH ASSEMBLY LOCATION SOLDERING TOOL
.XXX REF _____	APPROVED BY	DATE	CODE NO.
MATL _____	RELEASE DATE	9-28-04	DRAWING NO. C - 140-0000-973
FINISH _____			SCALE 10:1 U/M INCH SHEET 2 OF 2