



Chipsmall Limited consists of a professional team with an average of over 10 year of expertise in the distribution of electronic components. Based in Hongkong, we have already established firm and mutual-benefit business relationships with customers from,Europe,America and south Asia,supplying obsolete and hard-to-find components to meet their specific needs.

With the principle of "Quality Parts,Customers Priority,Honest Operation,and Considerate Service",our business mainly focus on the distribution of electronic components. Line cards we deal with include Microchip,ALPS,ROHM,Xilinx,Pulse,ON,Everlight and Freescale. Main products comprise IC,Modules,Potentiometer,IC Socket,Relay,Connector.Our parts cover such applications as commercial,industrial, and automotives areas.

We are looking forward to setting up business relationship with you and hope to provide you with the best service and solution. Let us make a better world for our industry!



Contact us

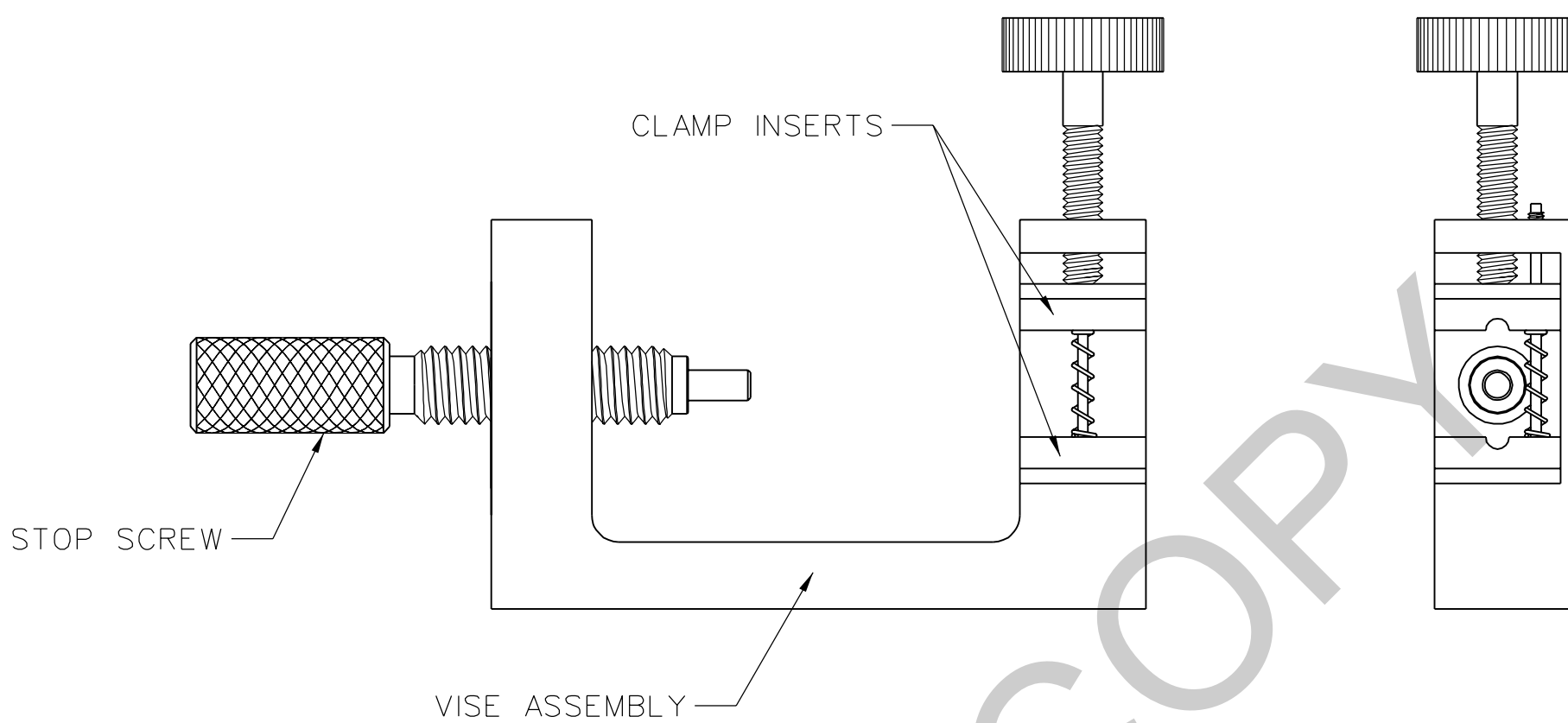
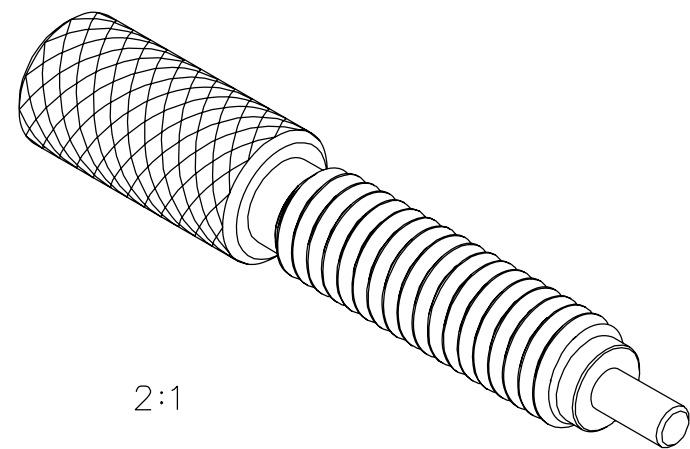
Tel: +86-755-8981 8866 Fax: +86-755-8427 6832

Email & Skype: info@chipsmall.com Web: www.chipsmall.com

Address: A1208, Overseas Decoration Building, #122 Zhenhua RD., Futian, Shenzhen, China



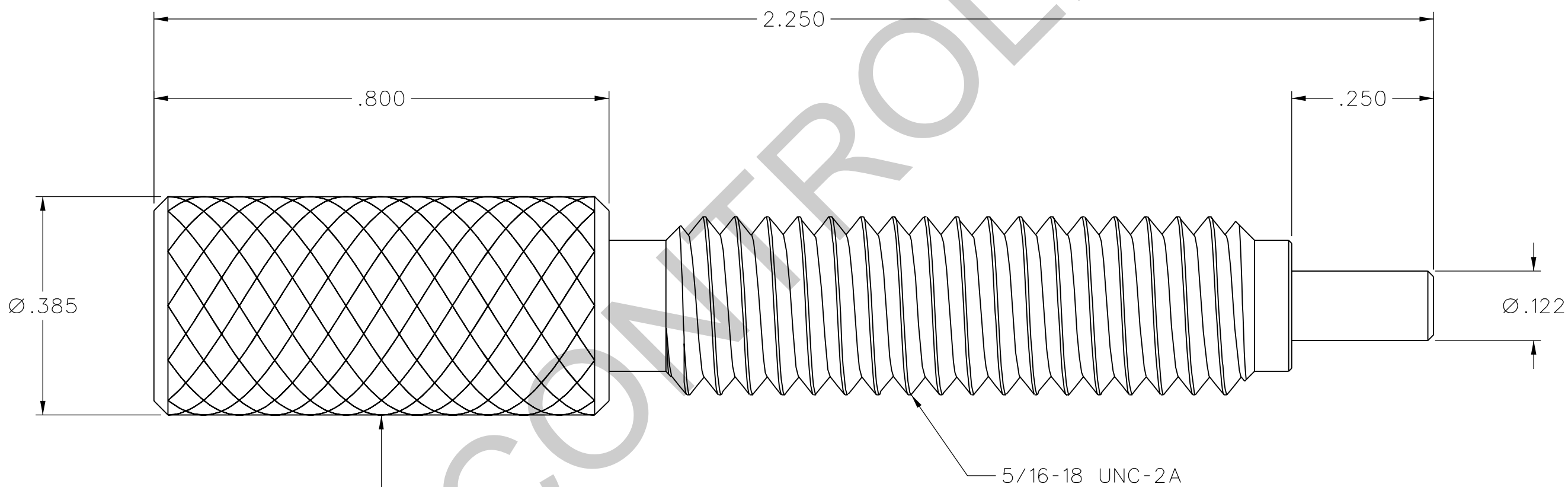
PART NUMBER 140-0000-982	ITEM ① STOP SCREW STAINLESS STEEL PASSIVATED	APPLICATION CABLE CLAMPING VISE 140-0000-962
-----------------------------	---	--



CABLE VISE APPLICATION
1.5:1 (FOR REFERENCE ONLY)

DRAWING NO.
C - 140-0000-981

0 REVISIONS					
ENGINEERING RELEASE					
1	12-13-04	JRK	JCN	TJS	3-16-05 ECN 49582
VERSION UPDATE					
2	5-11-05	JRK	JCN	MJU	9-20-05 ECN 49732



UNCONTROLLED

NOTES:

- THIS STOP SCREW IS TO BE USED IN CONJUNCTION WITH THE SEMI-RIGID CABLE SOLDERING VISE, AS SHOWN IN THE APPLICATION DETAIL. REFER TO THE APPROPRIATE CONNECTOR ASSEMBLY INSTRUCTIONS FOR PROPER USAGE.

CUSTOMER DRAWING

THIS DRAWING TO BE INTERPRETED
PER ANSII 14.5M - 1982

"μ STATION"

COMPANY CONFIDENTIAL

TOLERANCE UNLESS OTHERWISE SPECIFIED		DRAWN BY	DATE
DECIMALS	mm	JRK	12-6-04
.XX	_____	CHECKED BY	DATE
.XXX REF	_____	JCN	12-13-04
MATL	_____	APPROVED BY	DATE
FINISH	_____	TJS	12-22-04
		RELEASE DATE	3-16-05
		U/M INCH	SCALE 5:1



Cinch Connectivity Solutions
P.O. Box 1732
Waseca, MN 56093
1-800-247-8256

TITLE		STOP SCREW, CABLE SOLDERING VISE	
SHEET	DRAWING NO.		
2 OF 2	C - 140-0000-981		