



Chipsmall Limited consists of a professional team with an average of over 10 year of expertise in the distribution of electronic components. Based in Hongkong, we have already established firm and mutual-benefit business relationships with customers from,Europe,America and south Asia,supplying obsolete and hard-to-find components to meet their specific needs.

With the principle of “Quality Parts,Customers Priority,Honest Operation,and Considerate Service”,our business mainly focus on the distribution of electronic components. Line cards we deal with include Microchip,ALPS,ROHM,Xilinx,Pulse,ON,Everlight and Freescale. Main products comprise IC,Modules,Potentiometer,IC Socket,Relay,Connector.Our parts cover such applications as commercial,industrial, and automotives areas.

We are looking forward to setting up business relationship with you and hope to provide you with the best service and solution. Let us make a better world for our industry!



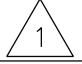
Contact us

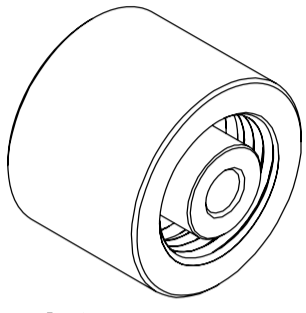
Tel: +86-755-8981 8866 Fax: +86-755-8427 6832

Email & Skype: info@chipsmall.com Web: www.chipsmall.com

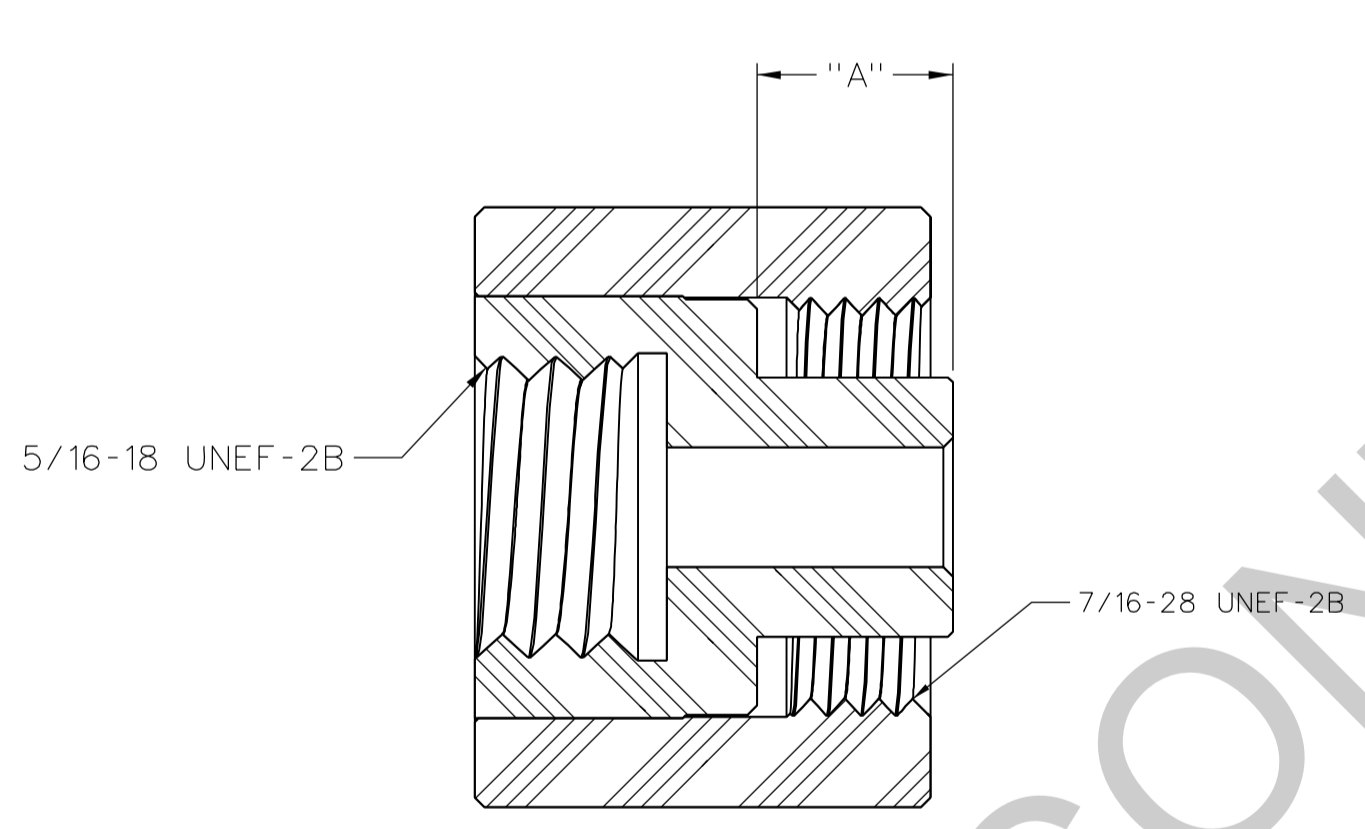
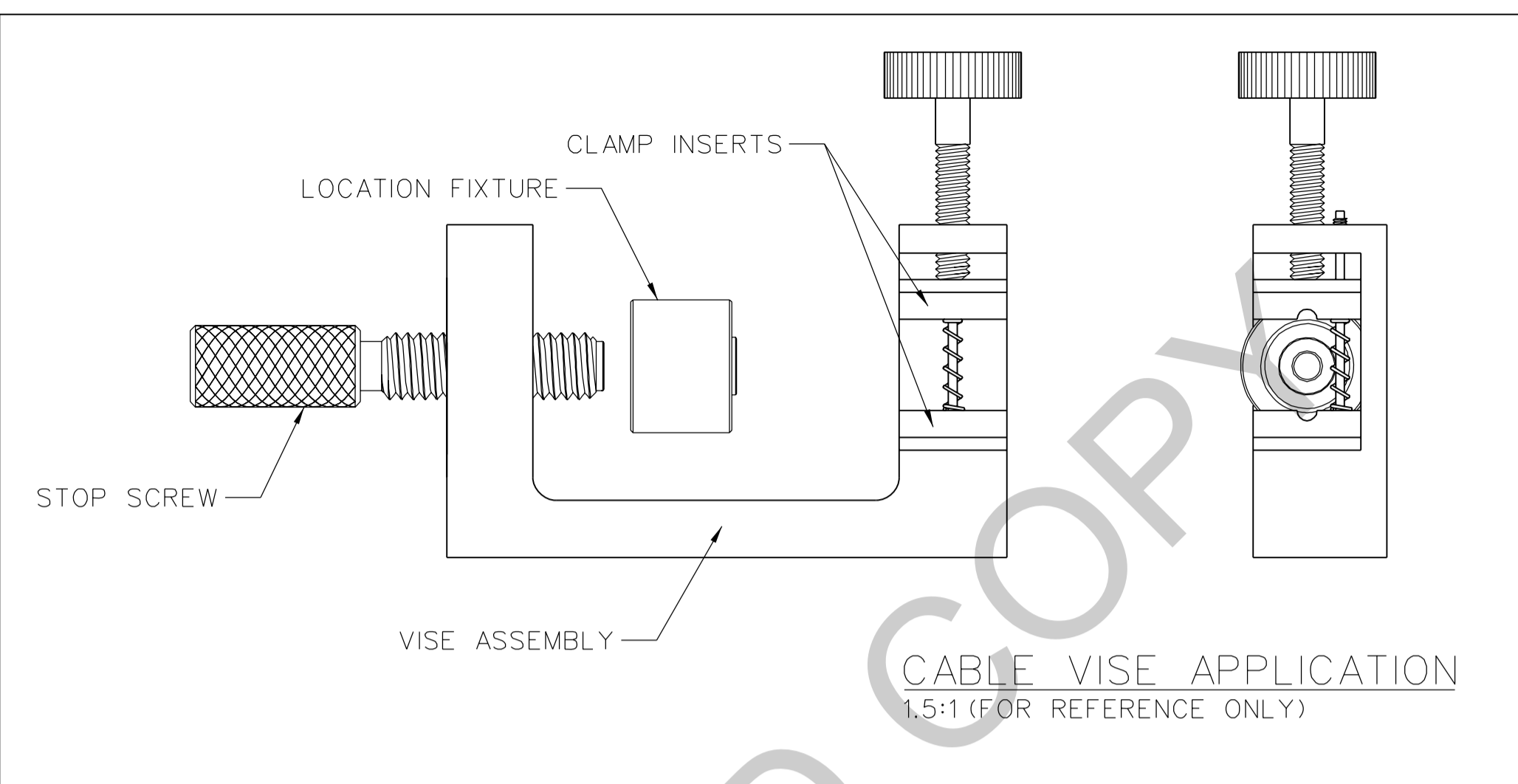
Address: A1208, Overseas Decoration Building, #122 Zhenhua RD., Futian, Shenzhen, China



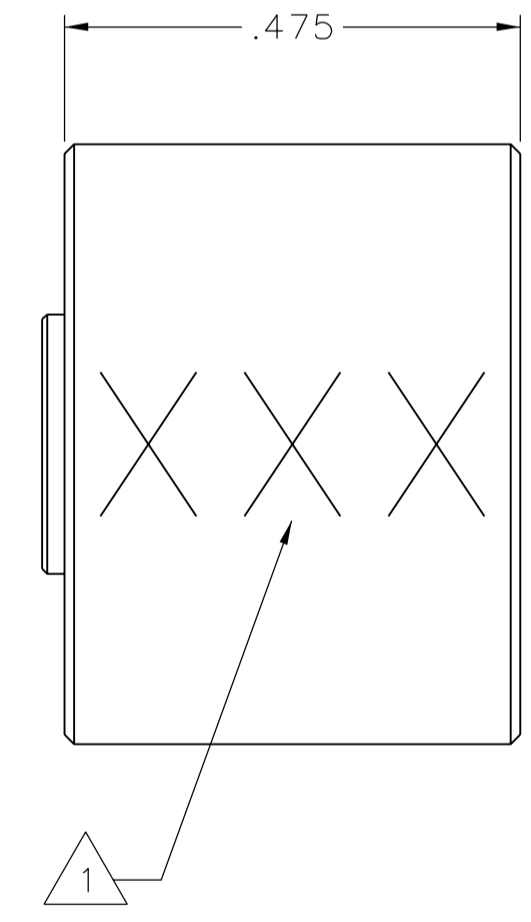
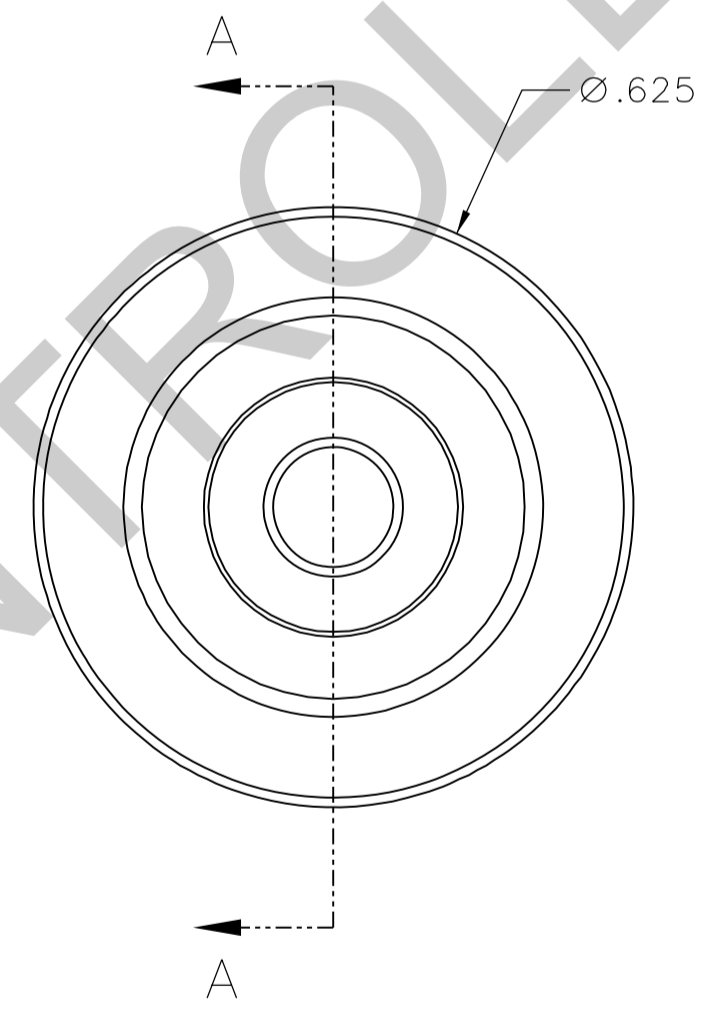
PART NUMBER	MATERIAL	"A"	MARKING 	APPLICATION CABLE TYPE	APPLICATION CABLE CLAMPING VISE
140-0000-987	GAROLITE GRADE G11	.204	086	RG 405	140-0000-962
140-0000-988	GAROLITE GRADE G11	.154	141	RG 402	140-0000-962
140-0000-989	GAROLITE GRADE G11	.164	250	RG 401	140-0000-962



2:1



SECTION A-A



DRAWING NO. C-140-0000-987/989	
0	REVISIONS
ENGINEERING RELEASE	
1	5-3-06 P A T J R K P D W M J U 7-20-06 ECN 50431

CUSTOMER DRAWING

THIS DRAWING TO BE INTERPRETED PER ASME Y 14.5M - 1994

"μ STATION"

COMPANY CONFIDENTIAL

NOTES:

1. THIS LOCATION FIXTURE IS TO BE USED IN CONJUNCTION WITH THE SEMI-RIGID CABLE SOLDERING VISE, AS SHOWN IN THE APPLICATION DETAIL. REFER TO THE APPROPRIATE CONNECTOR ASSEMBLY INSTRUCTIONS FOR PROPER USAGE.

TOLERANCE UNLESS OTHERWISE SPECIFIED		DRAWN BY	DATE
DECIMALS	mm	JRK	4-27-06
.XX	—	CHECKED BY	DATE
.XXX REF	—	PDW	7-19-06
MATL	—	APPROVED BY	DATE
FINISH	—	JRK/MJU	7-19-06
		RELEASE DATE	7-20-06
		U/M INCH	SCALE 5:1



Cinch Connectivity Solutions
P.O. Box 1732
Waseca, MN 56093
1-800-247-8256

TITLE LOCATION FIXTURE SEMI-RIGID CABLED TYPE N BULKHEAD JACKS

SHEET 2 OF 2 DRAWING NO. C-140-0000-987/989