



Chipsmall Limited consists of a professional team with an average of over 10 year of expertise in the distribution of electronic components. Based in Hongkong, we have already established firm and mutual-benefit business relationships with customers from,Europe,America and south Asia,supplying obsolete and hard-to-find components to meet their specific needs.

With the principle of “Quality Parts,Customers Priority,Honest Operation,and Considerate Service”,our business mainly focus on the distribution of electronic components. Line cards we deal with include Microchip,ALPS,ROHM,Xilinx,Pulse,ON,Everlight and Freescale. Main products comprise IC,Modules,Potentiometer,IC Socket,Relay,Connector.Our parts cover such applications as commercial,industrial, and automotives areas.

We are looking forward to setting up business relationship with you and hope to provide you with the best service and solution. Let us make a better world for our industry!



Contact us

Tel: +86-755-8981 8866 Fax: +86-755-8427 6832

Email & Skype: info@chipsmall.com Web: www.chipsmall.com

Address: A1208, Overseas Decoration Building, #122 Zhenhua RD., Futian, Shenzhen, China



FP

- Terminal Pins: Kinked
- Actuator Color: Yellow

Ultra-Miniature Pushbutton Switches

Washable



RoHS Compliant



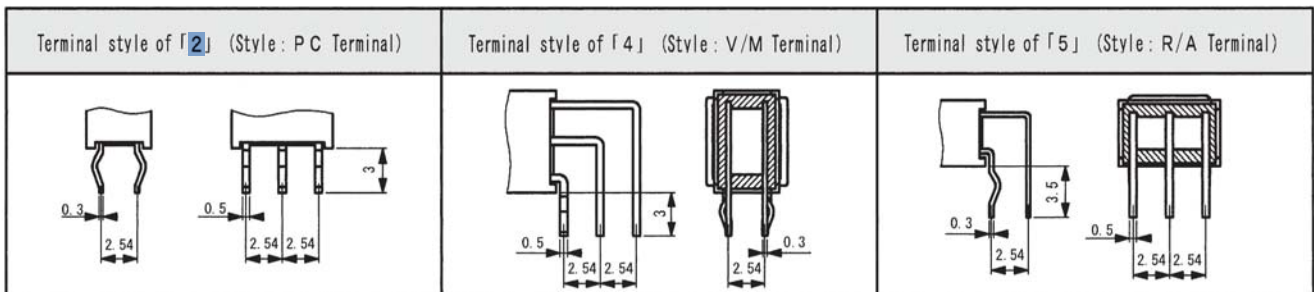
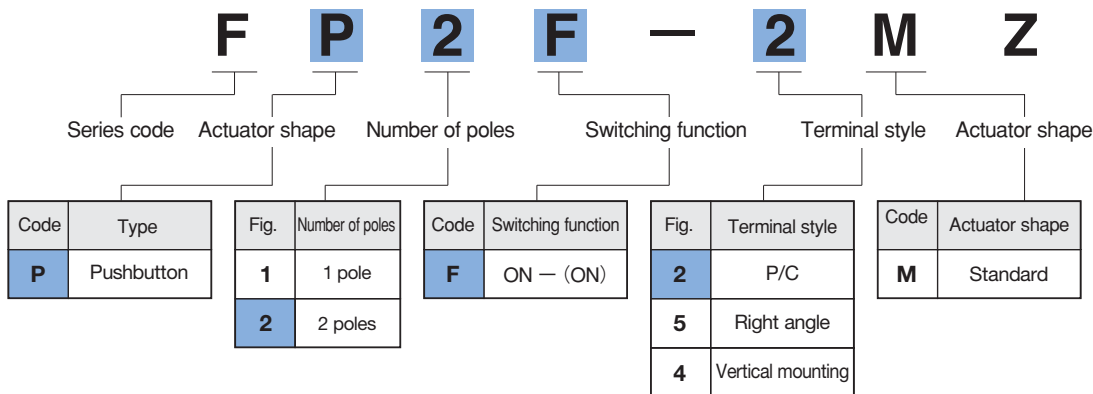
■ Features

1. Ultra-miniature pushbutton switch for high density mounting.
2. Washable.
3. Terminal pin pitch: 2.54 mm.
4. Independent detent mechanism ensures light operational feel.
5. Clip contact mechanism for long-term contact reliability.
6. Gold-plated contacts.

■ Specification

Rating	Max.	0.4VA (28VDC max.)
	Min.	1μA 20mVDC
Initial contact resistance	100m Ωmax. (1.5mA 200μVAC)	
Dielectric strength	250V AC 1 minute	
Insulation resistance	500MΩ min. (250VDC)	
Electrical life	10,000 operations at max.rating, 30,000 operations at min.rating,	
Mechanical life	30,000 cycles	
Operating force	1.47 ± 0.98N	
Operating temperature range	-40~+85°C	
Storage temperature range	-40~+85°C	

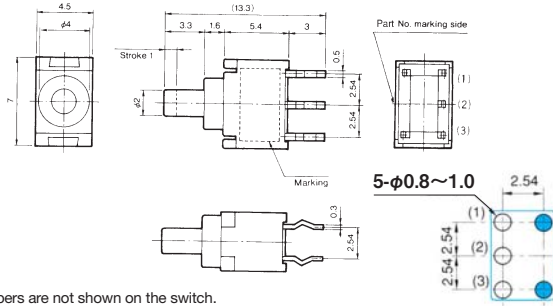
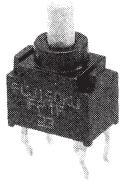
■ Part Numbering



FP

SPDT

PC



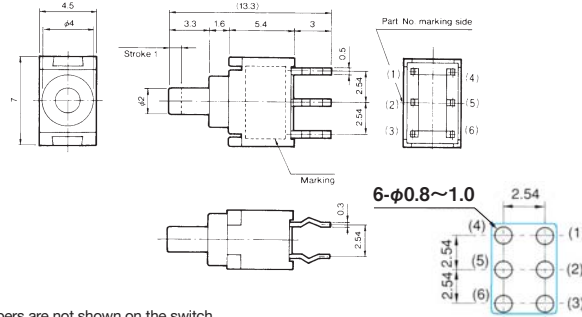
Terminal numbers are not shown on the switch.

Switching function		
Part No.		
FP1F-2M-Z	ON	(ON)
Connecting terminals	2-3	2-1

PC Hole Layouts (Top view)

DPDT

PC



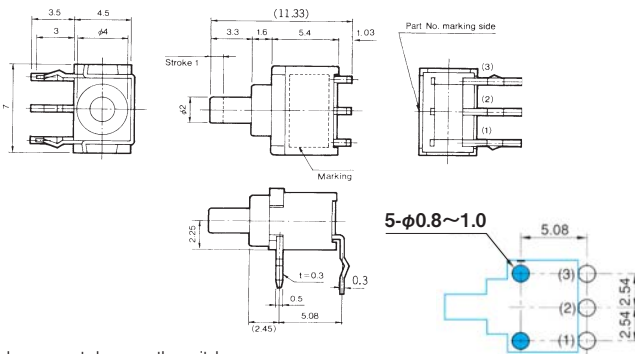
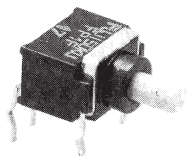
Terminal numbers are not shown on the switch.

Switching function		
Part No.		
★FP2F-2M-Z	ON	(ON)
Connecting terminals	2-3 5-6	2-1 5-4

PC Hole Layouts (Top view)

SPDT

R/A



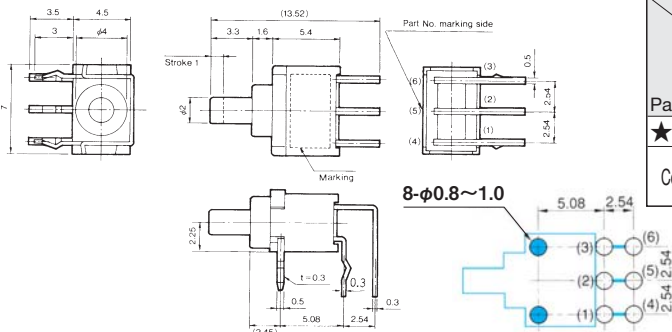
Terminal numbers are not shown on the switch.

Switching function		
Part No.		
FP1F-5M-Z	ON	(ON)
Connecting terminals	2-3	2-1

PC Hole Layouts (Top view)

DPDT

R/A



Terminal numbers are not shown on the switch.

Switching function		
Part No.		
★FP2F-5M-Z	ON	(ON)
Connecting terminals	2-3 5-6	2-1 5-4

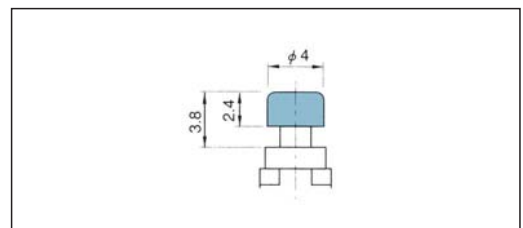
PC Hole Layouts (Top view)

Optional Accessories

《Sold separately》

Part Name	Dimension	Color	Part Number
Coor Cap	 ABS resin	White	140000481453
		Red	140000481452
		Black	140000481451
		Gray	140000481450

Color Cap Mounting



:Optional Accessories.

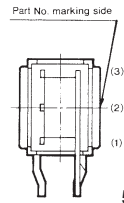
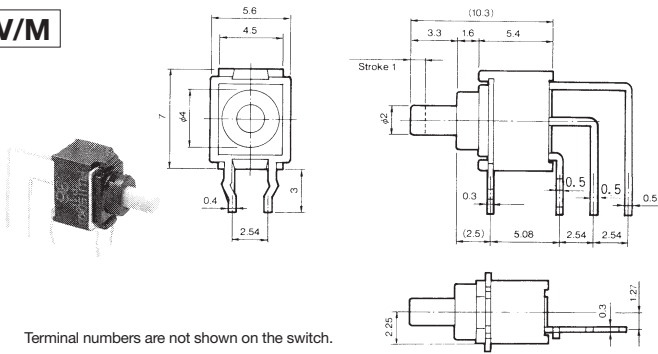
The blue line shows the outline of the switch.

(ON) : Momentary.

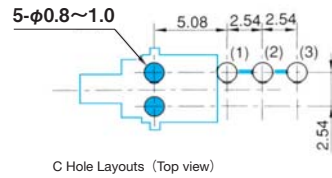
★ : Made to order products.

SPDT

V/M

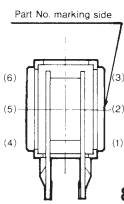
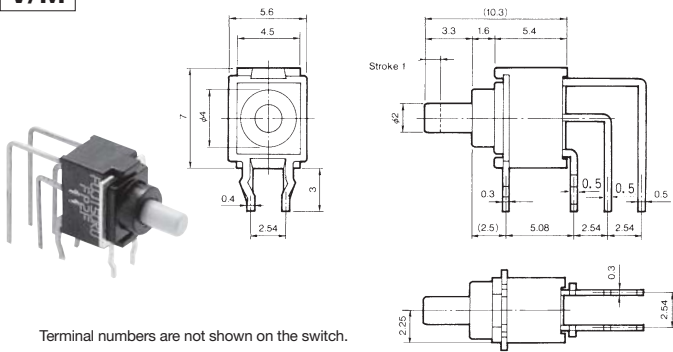


Switching function		
Part No.	ON	(ON)
Part No.	FP1F-4M-Z	
Connecting terminals	2-3	2-1

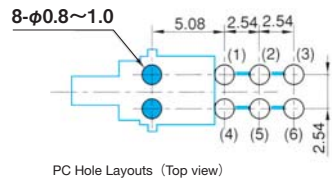


DPDT

V/M



Switching function		
Part No.	ON	(ON)
Part No.	★ FP2F-4M-Z	
Connecting terminals	2-3 5-6	2-1 5-4



■ Handling Precautions (FP, FT, FL)

1. Soldering Specifications

- (1) Manual Soldering
 - Device : Soldering iron
 - 380°C, Max.; 3 seconds, Max.
- (2) Auto soldering
 - Device : Jet wave type or dip type
 - 275°C, Max.; 6 seconds, Max.
 - Pre-heating should be done at temperatures from 80 to 120°C and within 120 seconds.
- (3) When soldering two or more terminals to the common land, use solder resist to solder them independently.

2. Flux Cleaning

- (1) Solvents : Fluorine or Alcohol type
- (2) Cleaning after soldering should be done after the PC board is exposed to room temperature (30°C or below) for 1 to 2 hours.
- (3) Do not use ultrasonic cleaning.

■ Packaging Specifications

