



Chipsmall Limited consists of a professional team with an average of over 10 year of expertise in the distribution of electronic components. Based in Hongkong, we have already established firm and mutual-benefit business relationships with customers from,Europe,America and south Asia,supplying obsolete and hard-to-find components to meet their specific needs.

With the principle of “Quality Parts,Customers Priority,Honest Operation,and Considerate Service”,our business mainly focus on the distribution of electronic components. Line cards we deal with include Microchip,ALPS,ROHM,Xilinx,Pulse,ON,Everlight and Freescale. Main products comprise IC,Modules,Potentiometer,IC Socket,Relay,Connector.Our parts cover such applications as commercial,industrial, and automotives areas.

We are looking forward to setting up business relationship with you and hope to provide you with the best service and solution. Let us make a better world for our industry!



Contact us

Tel: +86-755-8981 8866 Fax: +86-755-8427 6832

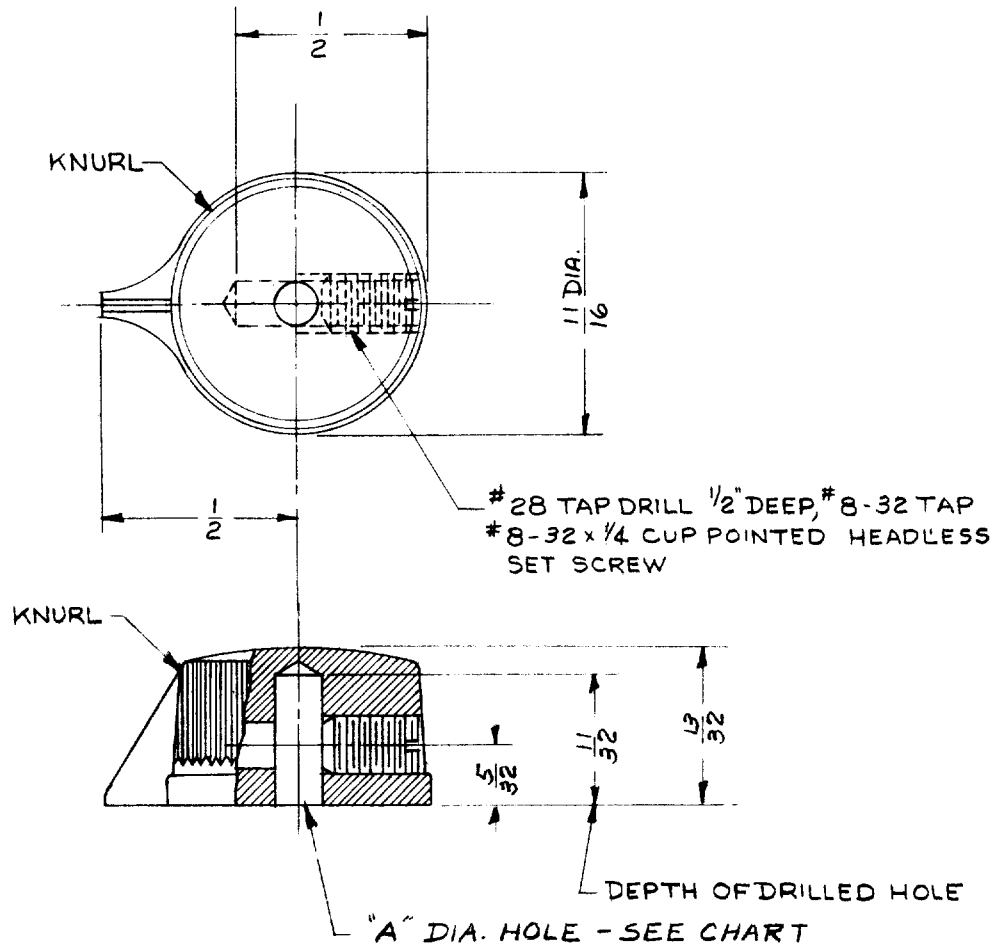
Email & Skype: info@chipsmall.com Web: www.chipsmall.com

Address: A1208, Overseas Decoration Building, #122 Zhenhua RD., Futian, Shenzhen, China



No.	WAS	DATE	APVD.	No.	WAS	DATE	APVD.	No.	WAS	DATE	APVD.
A	CHART ADDED	12-18-58	<i>WJ</i>	B	CAT. # KC-6	3-12-62	<i>WJ</i>	C	CAT. # KC-7	3-12-62	<i>WJ</i>
D				E				F			

OPER. NO.	TOOL NO.	OPERATION
1		PURCHASE FROM HARRY DAVIES MOLDING CO. CHICAGO, ILL.



ORIGINAL

(A)

PART NO.	CATALOGUE NO.	VENDORS NO.	COLOR	A DIA. HOLE	DATE	APVD.
P14469	P-106 (B)	1400-R	BLACK	.126-.130	5-18-54	
P24553	P-107 (C)	1400	WALNUT	.251-.255	12-18-58	<i>WJ</i>
P58359	P-199	1400	BLACK	.251-.255	2-14-68	N.N.

TOL. UNLESS SPECIFIED DECIMALS ± .005 FRACTIONS ± .010 ANGLES ±		PRINT CODE 41B-41V N. NELSON-1	INDEX CODE	FINISH SEE CHART	PART NO. SEE CHART
MATERIAL		SUPERSEDES P14469-A	DATE 3-8-54	COST CODE	UNIT NO.
TITLE KNOBS - SWITCHES		STATUS A			ASS'Y DWG.
SCALE 2" = 1"	CHECKED <i>WJ</i>	DATE 5-18-54	APPR'D <i>WJ</i>	DATE 5-25-54	MAT. LIST
DR. H.F.H.	DATE 5-18-54	ENG. <i>WJ</i>	DATE 3-24-54		DIE LEAD FOR ONE
Centralab. A DIV. OF GLOBE-UNION INC. MILWAUKEE		SHEET NO. P 14469		NO. SHEETS A	