



Chipsmall Limited consists of a professional team with an average of over 10 year of expertise in the distribution of electronic components. Based in Hongkong, we have already established firm and mutual-benefit business relationships with customers from,Europe,America and south Asia,supplying obsolete and hard-to-find components to meet their specific needs.

With the principle of "Quality Parts,Customers Priority,Honest Operation,and Considerate Service",our business mainly focus on the distribution of electronic components. Line cards we deal with include Microchip,ALPS,ROHM,Xilinx,Pulse,ON,Everlight and Freescale. Main products comprise IC,Modules,Potentiometer,IC Socket,Relay,Connector.Our parts cover such applications as commercial,industrial, and automotives areas.

We are looking forward to setting up business relationship with you and hope to provide you with the best service and solution. Let us make a better world for our industry!



## Contact us

Tel: +86-755-8981 8866 Fax: +86-755-8427 6832

Email & Skype: info@chipsmall.com Web: www.chipsmall.com

Address: A1208, Overseas Decoration Building, #122 Zhenhua RD., Futian, Shenzhen, China




# Bus system T-connector - SAC-5P-MINT/2XMIN DN - 1401029

Please be informed that the data shown in this PDF Document is generated from our Online Catalog. Please find the complete data in the user's documentation. Our General Terms of Use for Downloads are valid (<http://download.phoenixcontact.com>)



Bus system T-distributor, 5-pos., DeviceNet, 7/8"-16UNF socket to 7/8"-16UNF socket and 7/8"-16UNF connector

## Key commercial data

Packing unit	0
Minimum order quantity	1
Catalog page	Page 406 (PC-2011)
GTIN	 4 046356 542616
Custom tariff number	85444290
Country of origin	GERMANY

## Technical data

### General data

Number of positions	5
Volume resistance	≤ 5 mΩ
Insulation resistance	≥ 10 MΩ
Ambient temperature (operation)	-25 °C ... 90 °C (Male connector / female connector)

### General characteristics

Surge voltage category	II
Pollution degree	3
Degree of protection	IP67
Contact material	CuZn
Contact surface material	AU
Contact carrier material	PA 66
Material of grip body	TPU
Material, knurls	Zinc die-cast, nickel-plated

### Conductor data

# Bus system T-connector - SAC-5P-MINT/2XMIN DN - 1401029

## Classifications

### eclass

eCl@ss 4.0	27060306
eCl@ss 4.1	27060306
eCl@ss 5.0	27061801
eCl@ss 5.1	27061801
eCl@ss 6.0	19070402
eCl@ss 7.0	19070402

### etim

ETIM 2.0	EC000830
ETIM 3.0	EC001855
ETIM 4.0	EC000421

### unspsc

UNSPSC 6.01	31251501
UNSPSC 7.0901	31251501
UNSPSC 11	31251501
UNSPSC 12.01	31251501
UNSPSC 13.2	31251501

## Accessories

### Accessories

### Marking

Zack Marker strip, flat - ZBF 17:UNBEDRUCKT - 0815020



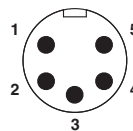
Zack Marker strip, flat, Strip, white, Unlabeled, Can be labeled with: Plotter, Mounting type: Snap into flat marker groove, For terminal block width: 17 mm, Lettering field: 17 x 5.2 mm

## Drawings

### Dimensioned drawing

T-distributor 7/8", lateral view

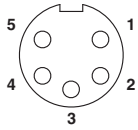
### Schematic diagram



Pin assignment, plug, 7/8"-16UNF, 5-pos., view of male side

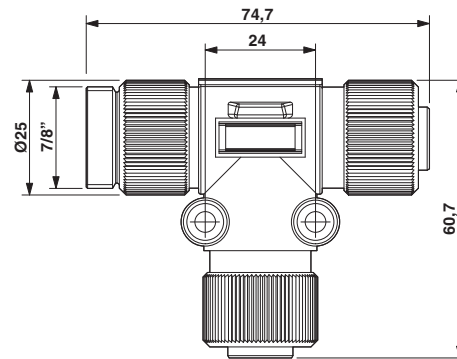
# Bus system T-connector - SAC-5P-MINT/2XMIN DN - 1401029

Schematic diagram



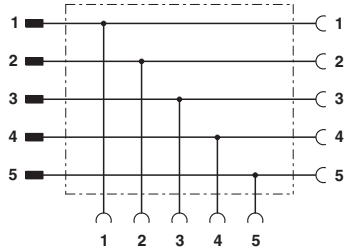
Pin assignment, socket, 7/8"-16UNF, 5-pos., view of female side

Dimensioned drawing



T-distributor 7/8", top view

Circuit diagram



Contact assignment of the 7/8" T-distributor