



Chipsmall Limited consists of a professional team with an average of over 10 year of expertise in the distribution of electronic components. Based in Hongkong, we have already established firm and mutual-benefit business relationships with customers from,Europe,America and south Asia,supplying obsolete and hard-to-find components to meet their specific needs.

With the principle of "Quality Parts,Customers Priority,Honest Operation,and Considerate Service",our business mainly focus on the distribution of electronic components. Line cards we deal with include Microchip,ALPS,ROHM,Xilinx,Pulse,ON,Everlight and Freescale. Main products comprise IC,Modules,Potentiometer,IC Socket,Relay,Connector.Our parts cover such applications as commercial,industrial, and automotives areas.

We are looking forward to setting up business relationship with you and hope to provide you with the best service and solution. Let us make a better world for our industry!



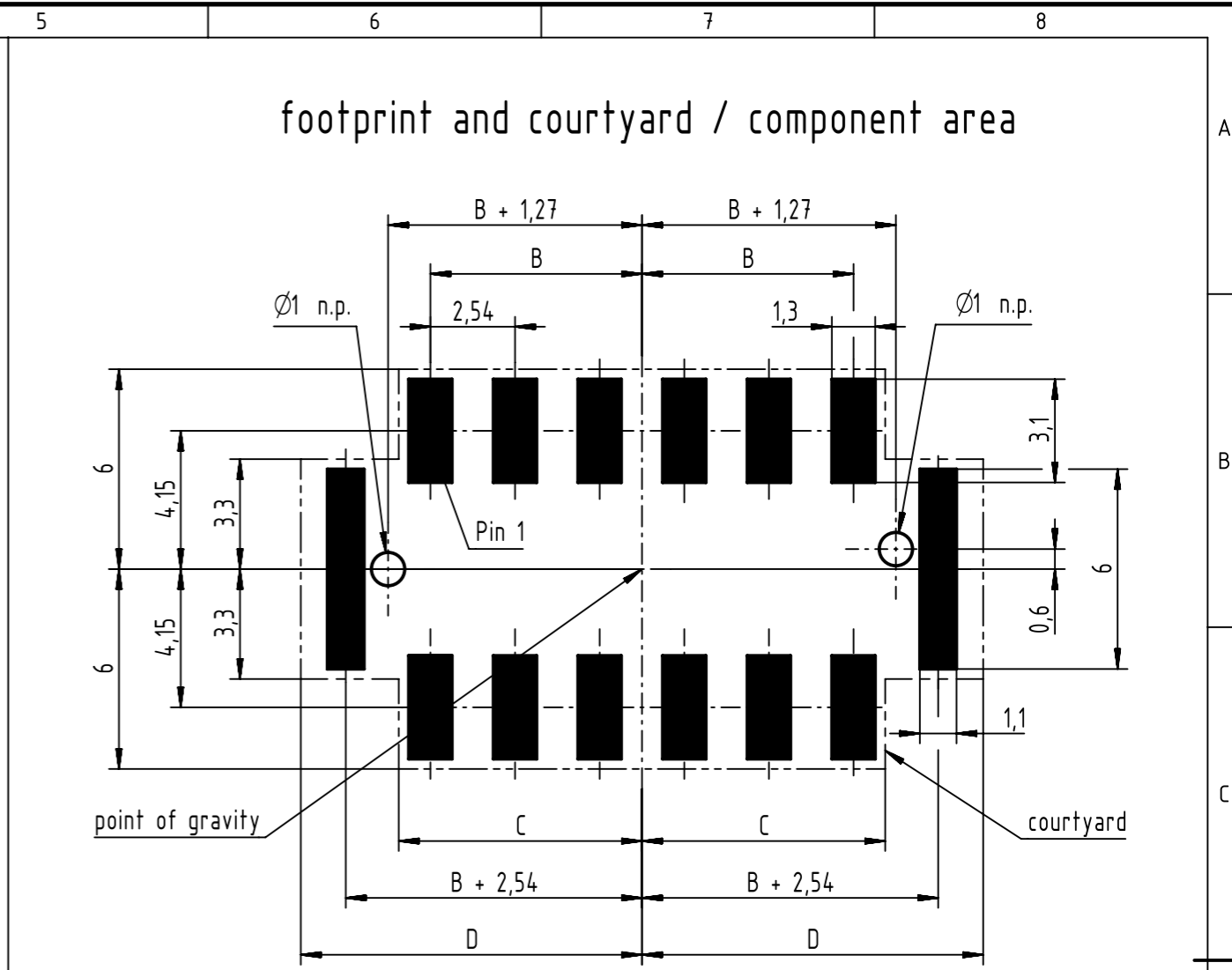
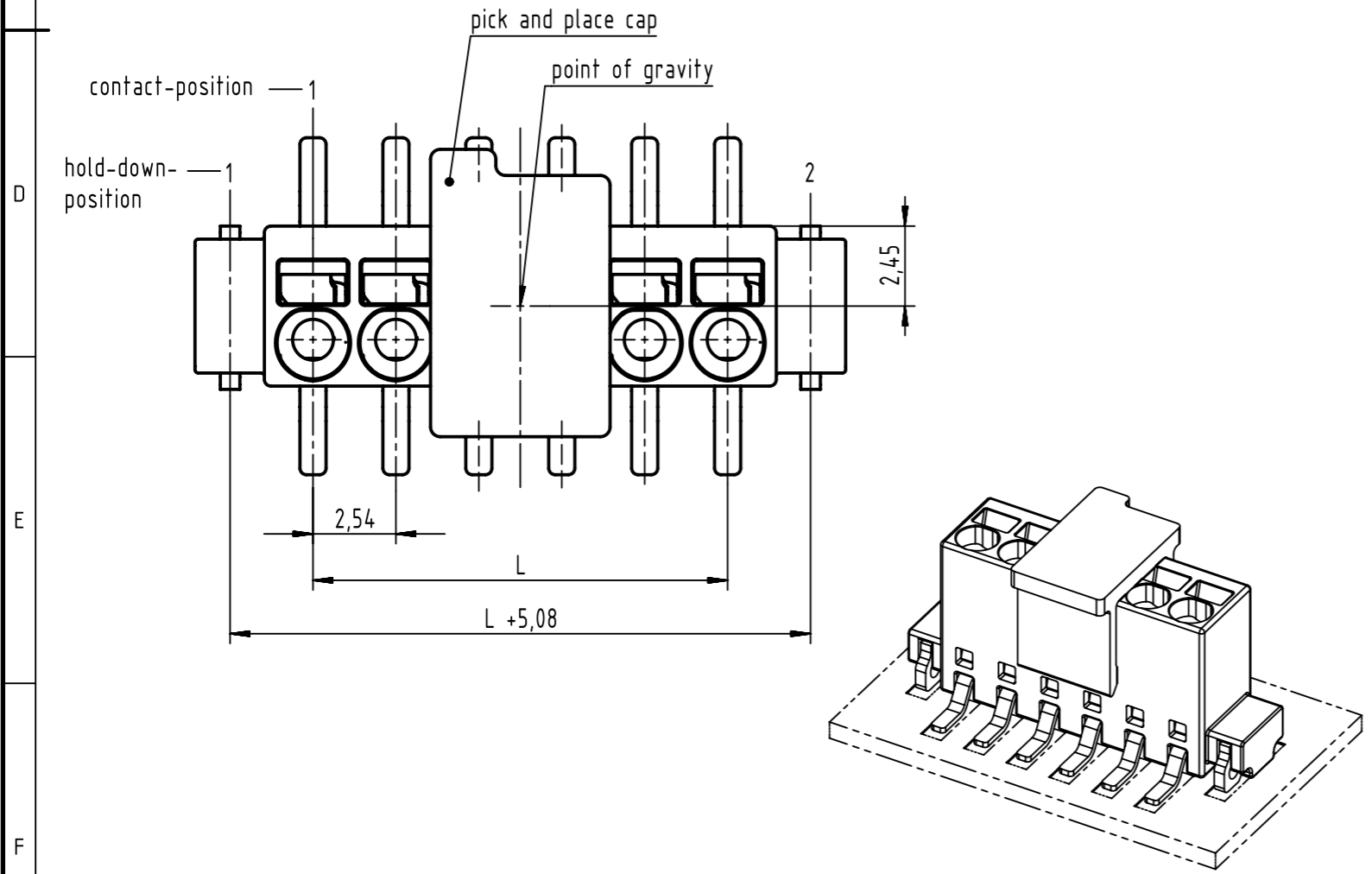
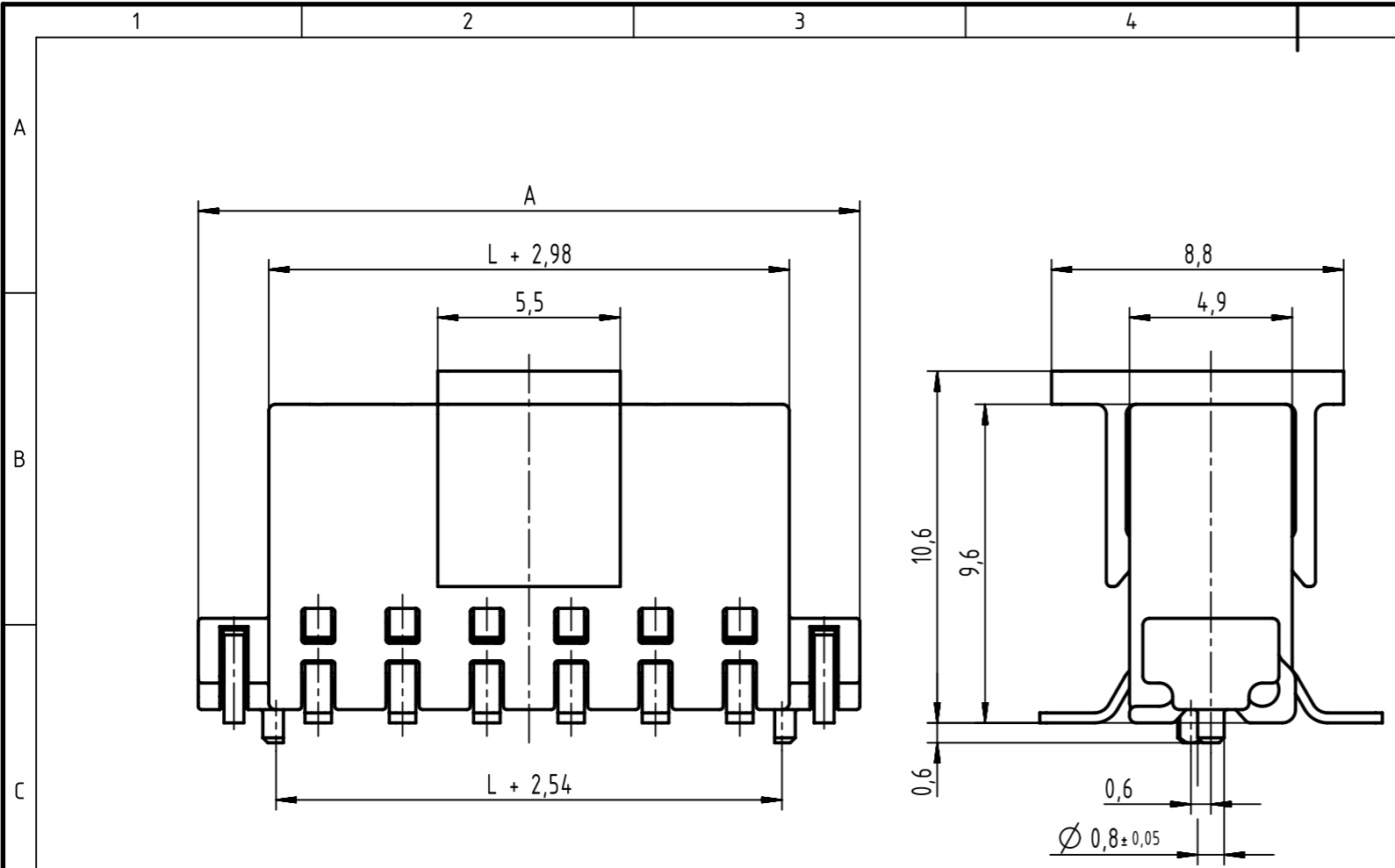
Contact us

Tel: +86-755-8981 8866 Fax: +86-755-8427 6832

Email & Skype: info@chipsmall.com Web: www.chipsmall.com

Address: A1208, Overseas Decoration Building, #122 Zhenhua RD., Futian, Shenzhen, China





further information see: DS 14017401601

12	14011213101XXX	27,94	35,17	13,97	14,92	17,86
11	14011113101XXX	25,40	32,63	12,7	13,65	16,59
10	14011013101XXX	22,86	30,09	11,43	12,38	15,32
9	14010913101XXX	20,32	27,55	10,16	11,11	14,05
8	14010813101XXX	17,78	25,01	8,89	9,84	12,78
7	14010713101XXX	15,24	22,47	7,62	8,57	11,51
6	14010613101XXX	12,70	19,93	6,35	7,30	10,24
5	14010513101XXX	10,16	17,39	5,08	6,03	8,97
4	14010413101XXX	7,62	14,85	3,81	4,76	7,70
3	14010313101XXX	5,08	12,31	2,54	3,49	6,43
2	14010213101XXX	2,54	9,77	1,27	2,22	5,16

number of contacts	part-number	L = 2,54 x (pole -1)	A	B = L/2	C	D
		Scale 5:1	Free size tol.	Ref.	Sub.	
All rights reserved Department EC PD - DE		Created by HASSE	Inspected by FRIESENH	Standardisation KOHLER	Date 2013-10-09	State Final Release
HARTING Electronics GmbH D-32339 Espelkamp		Title har-flexicon, print terminal block, vertical			Doc-Key / ECM-Nr. 100232084/UGD/007/D 50000067057	
Type TB	Number 1401XX13101XXX	Rev. D	Page 1/1			