



Chipsmall Limited consists of a professional team with an average of over 10 year of expertise in the distribution of electronic components. Based in Hongkong, we have already established firm and mutual-benefit business relationships with customers from,Europe,America and south Asia,supplying obsolete and hard-to-find components to meet their specific needs.

With the principle of "Quality Parts,Customers Priority,Honest Operation,and Considerate Service",our business mainly focus on the distribution of electronic components. Line cards we deal with include Microchip,ALPS,ROHM,Xilinx,Pulse,ON,Everlight and Freescale. Main products comprise IC,Modules,Potentiometer,IC Socket,Relay,Connector.Our parts cover such applications as commercial,industrial, and automotives areas.

We are looking forward to setting up business relationship with you and hope to provide you with the best service and solution. Let us make a better world for our industry!



Contact us

Tel: +86-755-8981 8866 Fax: +86-755-8427 6832

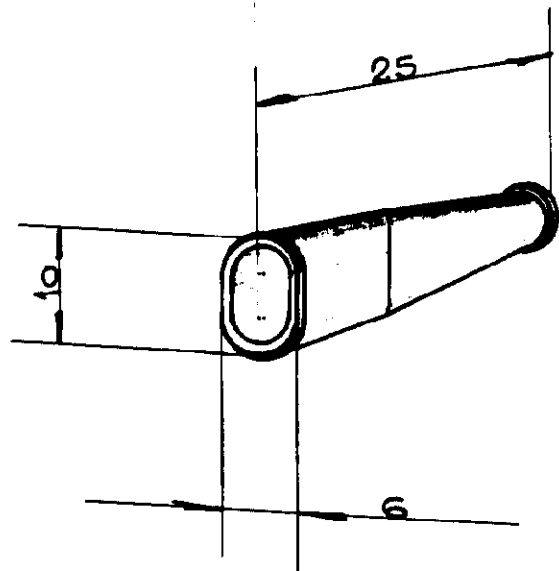
Email & Skype: info@chipsmall.com Web: www.chipsmall.com

Address: A1208, Overseas Decoration Building, #122 Zhenhua RD., Futian, Shenzhen, China



NUMERO
C 140 387

LES COTES SONT DONNEES EN mm. ET NE DOIVENT PAS ETRE RELEVees A L'ECHELLE SUR LE DESSIN.



© 19 BY AMP INCORPORATED. ALL RIGHTS RESERVED. AMP PRODUCTS COVERED BY PATENTS AND/OR PATENTS PENDING.

DESSIN CLIENT
UNIQUEMENT POUR REFERENCES

MATIERE ET FINITION
Polyethylene (R)

AMP
AMP DE FRANCE 95 PONTOISE

DIMENS - FIL ISOLANT

CLASSE

TOLERANCES SAUF INDICATION
± 0.3 ± 5°

ECHELLE

LOC F A NO C 140 387

7	A	IND	CHANGEMENT	DES	VER	DATE
		DESSINE	APPROUVE			
		RAMELET. 10.12.69				
		VERIFIE				

FOURREAU POUR CLIP