



Chipsmall Limited consists of a professional team with an average of over 10 year of expertise in the distribution of electronic components. Based in Hongkong, we have already established firm and mutual-benefit business relationships with customers from,Europe,America and south Asia,supplying obsolete and hard-to-find components to meet their specific needs.

With the principle of “Quality Parts,Customers Priority,Honest Operation,and Considerate Service”,our business mainly focus on the distribution of electronic components. Line cards we deal with include Microchip,ALPS,ROHM,Xilinx,Pulse,ON,Everlight and Freescale. Main products comprise IC,Modules,Potentiometer,IC Socket,Relay,Connector.Our parts cover such applications as commercial,industrial, and automotives areas.

We are looking forward to setting up business relationship with you and hope to provide you with the best service and solution. Let us make a better world for our industry!



Contact us

Tel: +86-755-8981 8866 Fax: +86-755-8427 6832

Email & Skype: info@chipsmall.com Web: www.chipsmall.com

Address: A1208, Overseas Decoration Building, #122 Zhenhua RD., Futian, Shenzhen, China



Terminal outlet - VS-TO-RO-MCBK-F1417/1417 - 1404320

Please be informed that the data shown in this PDF Document is generated from our Online Catalog. Please find the complete data in the user's documentation. Our General Terms of Use for Downloads are valid (<http://phoenixcontact.com/download>)

Terminal outlet SC-RJ IP65/67 Push-Pull, 2 slots version 14, with protective plugs, 2 cable entries



Terminal outlet 2 x SC-RJ

Product Features

- Easy installation, thanks to captive cover screws
- Robust design
- Including covers to protect against environmental influences
- Integrated cable management system
- For connection of 2 x SC-RJ IP65/67 push-pull connectors



Key commercial data

Packing unit	1 pc
Weight per Piece (excluding packing)	695.0 GRM
Custom tariff number	85369085
Country of origin	Germany

Technical data

Mechanical characteristics

Number of slots	2
Fiber	POF, PCF, GOF
Color	black

Ambient conditions

Ambient temperature (operation)	-40 °C ... 70 °C
Degree of protection	IP65/IP67

Material data

Terminal outlet - VS-TO-RO-MCBK-F1417/1417 - 1404320

Technical data

Material data

Housing material	Aluminum cast alloy, powder-coated
------------------	------------------------------------

Classifications

eCl@ss

eCl@ss 4.0	272607xx
eCl@ss 4.1	27260701
eCl@ss 5.0	27260701
eCl@ss 5.1	27259205
eCl@ss 6.0	27269202
eCl@ss 7.0	27449203

ETIM

ETIM 3.0	EC001121
ETIM 4.0	EC002598
ETIM 5.0	EC002598

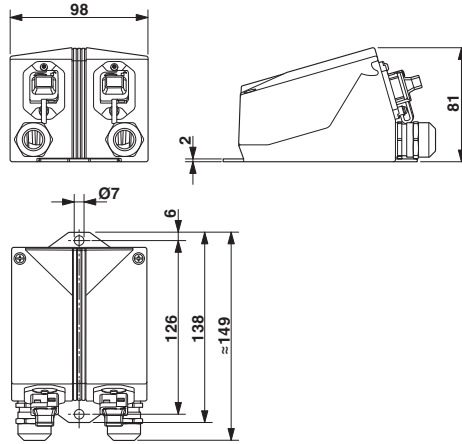
UNSPSC

UNSPSC 6.01	31261501
UNSPSC 7.0901	31261501
UNSPSC 11	31261501
UNSPSC 12.01	31261501
UNSPSC 13.2	31261501

Drawings

Terminal outlet - VS-TO-RO-MCBK-F1417/1417 - 1404320

Dimensioned drawing



Terminal outlet 2 x SC-RJ