



Chipsmall Limited consists of a professional team with an average of over 10 year of expertise in the distribution of electronic components. Based in Hongkong, we have already established firm and mutual-benefit business relationships with customers from,Europe,America and south Asia,supplying obsolete and hard-to-find components to meet their specific needs.

With the principle of “Quality Parts,Customers Priority,Honest Operation,and Considerate Service”,our business mainly focus on the distribution of electronic components. Line cards we deal with include Microchip,ALPS,ROHM,Xilinx,Pulse,ON,Everlight and Freescale. Main products comprise IC,Modules,Potentiometer,IC Socket,Relay,Connector.Our parts cover such applications as commercial,industrial, and automotives areas.

We are looking forward to setting up business relationship with you and hope to provide you with the best service and solution. Let us make a better world for our industry!



Contact us

Tel: +86-755-8981 8866 Fax: +86-755-8427 6832

Email & Skype: info@chipsmall.com Web: www.chipsmall.com

Address: A1208, Overseas Decoration Building, #122 Zhenhua RD., Futian, Shenzhen, China



Terminal outlet - VS-TO-RO-MCBK-F1417/1413 - 1404346

Please be informed that the data shown in this PDF Document is generated from our Online Catalog. Please find the complete data in the user's documentation. Our General Terms of Use for Downloads are valid (<http://phoenixcontact.com/download>)



Terminal outlet SC-RJ/Power IP65/67 Push-Pull, 2 slots version 14, with protective plugs, 2 cable entries

Terminal outlet 1xSCRJ; 1xPower

Product Features

- Suitable for industrial applications



Key commercial data

Packing unit	1 pc
Weight per Piece (excluding packing)	724.2 GRM
Custom tariff number	85369085
Country of origin	Germany

Technical data

Mechanical characteristics

Number of slots	2
Color	black

Ambient conditions

Ambient temperature (operation)	-40 °C ... 70 °C
Degree of protection	IP65/IP67

Material data

Housing material	Aluminum cast alloy, powder-coated
------------------	------------------------------------

Classifications

eCl@ss

eCl@ss 4.0	272607xx
------------	----------

Terminal outlet - VS-TO-RO-MCBK-F1417/1413 - 1404346

Classifications

eCl@ss

eCl@ss 4.1	27260701
eCl@ss 5.0	27260701
eCl@ss 5.1	27259205
eCl@ss 6.0	27269202
eCl@ss 7.0	27449203

ETIM

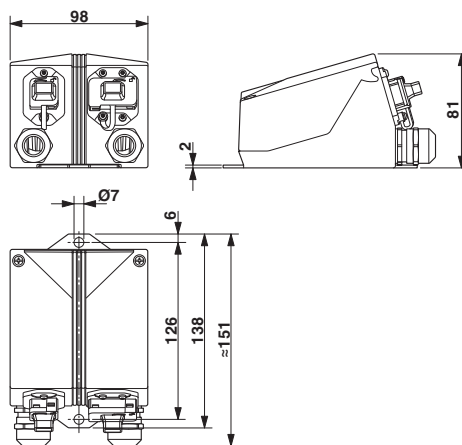
ETIM 3.0	EC001121
ETIM 4.0	EC002598
ETIM 5.0	EC002598

UNSPSC

UNSPSC 6.01	31261501
UNSPSC 7.0901	31261501
UNSPSC 11	31261501
UNSPSC 12.01	31261501
UNSPSC 13.2	31261501

Drawings

Dimensioned drawing



Terminal outlet 1xSCRJ; 1xPower