



Chipsmall Limited consists of a professional team with an average of over 10 year of expertise in the distribution of electronic components. Based in Hongkong, we have already established firm and mutual-benefit business relationships with customers from,Europe,America and south Asia,supplying obsolete and hard-to-find components to meet their specific needs.

With the principle of “Quality Parts,Customers Priority,Honest Operation,and Considerate Service”,our business mainly focus on the distribution of electronic components. Line cards we deal with include Microchip,ALPS,ROHM,Xilinx,Pulse,ON,Everlight and Freescale. Main products comprise IC,Modules,Potentiometer,IC Socket,Relay,Connector.Our parts cover such applications as commercial,industrial, and automotives areas.

We are looking forward to setting up business relationship with you and hope to provide you with the best service and solution. Let us make a better world for our industry!



## Contact us

Tel: +86-755-8981 8866 Fax: +86-755-8427 6832

Email & Skype: info@chipsmall.com Web: www.chipsmall.com

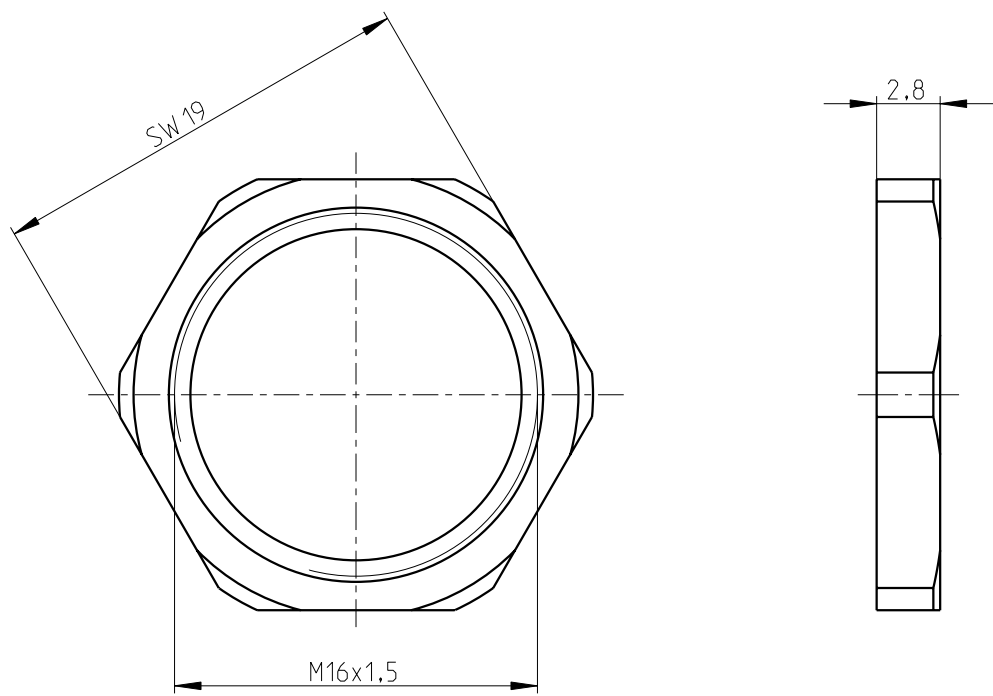
Address: A1208, Overseas Decoration Building, #122 Zhenhua RD., Futian, Shenzhen, China




The copying, distribution and utilization of this document as well as the communication of the contents to others without expressed authorization is prohibited according to §18 UWG German Law. Offenders will be held liable for the payment of damages according to §19 UWG German Law. All rights reserved, in particular the right to carry out patent, utility model or ornamental design registrations.

Weitergabe sowie Vervielfältigung dieses Dokuments, Verwertung und Mitteilung seines Inhalts gem §18 UWG verboten, soweit nicht ausdrücklich gestattet. Zuwiderhandlungen verpflichten zu Schadensersatz (§19 UWG). Alle Rechte vorbehalten, insbesondere das Recht, Patent-, Gebrauchsmuster- oder Geschmacksmusteranmeldungen durchzuführen.  
CONIVERS GmbH Heisenbergstrasse 1 D-71083 Herrenberg

Mechanische Daten (in Anlehnung an IEC 61076-2-101)		Material	
Polzahl / Codierung	- / -	Gehäuse	V4A
Kontaktanschlussart	-	Kontaktträger	-
Kontakt-Ø	-	Farbe	-
Temperaturbereich	-	Litzen	-
Schutzart	-	Querschnitt	-
Steckzyklen	-	Kontakte / Oberfläche	-
Verriegelung	-	Dichtung	-
		Verguss	-



Freimaßtoleranzen nach DIN ISO 2768-c		Technische Änderungen vorbehalten		Index 1 / 2011-12-16		Maßstab: 3:1		
Bearb.	Datum 2011-12-16	Name Thumm	Benennung: Flachmutter M16x1,5 V4A					Blatt: 1 von: 1
Gepr.								
			Zeichnungs-Nr.:		BA-Z0006			
			Artikel-Nr.:		1404983			
			Artikelbezeichnung:		SACC-M16-NUT-VA			