



Chipsmall Limited consists of a professional team with an average of over 10 year of expertise in the distribution of electronic components. Based in Hongkong, we have already established firm and mutual-benefit business relationships with customers from,Europe,America and south Asia,supplying obsolete and hard-to-find components to meet their specific needs.

With the principle of "Quality Parts,Customers Priority,Honest Operation,and Considerate Service",our business mainly focus on the distribution of electronic components. Line cards we deal with include Microchip,ALPS,ROHM,Xilinx,Pulse,ON,Everlight and Freescale. Main products comprise IC,Modules,Potentiometer,IC Socket,Relay,Connector.Our parts cover such applications as commercial,industrial, and automotives areas.

We are looking forward to setting up business relationship with you and hope to provide you with the best service and solution. Let us make a better world for our industry!



## Contact us

Tel: +86-755-8981 8866 Fax: +86-755-8427 6832

Email & Skype: info@chipsmall.com Web: www.chipsmall.com

Address: A1208, Overseas Decoration Building, #122 Zhenhua RD., Futian, Shenzhen, China



# Panel mounting frames - VS-PPC-F1-RJ45-MNNA-1C-F - 1405222

Please be informed that the data shown in this PDF Document is generated from our Online Catalog. Please find the complete data in the user's documentation. Our General Terms of Use for Downloads are valid (<http://download.phoenixcontact.com>)



RJ45 panel mounting frame, IP67, for push-pull interlocking, metal, with Freenet system, for round mounting cutout, with seal

## Key commercial data

Packing unit	0
Minimum order quantity	1
Catalog page	Page 288 (PC-2011)
GTIN	 4 046356 334792
Custom tariff number	85389099
Country of origin	GERMANY

## Technical data

### Mechanical characteristics

Locking type	Push Pull
Insertion/withdrawal cycles	>= 100
Color	silver
Ambient temperature (operation)	-40 °C ... 70 °C

### Material data

Housing material	Zinc die-cast
Housing surface material	Nickel-plated
Material	Metal
Sealing material	NBR
Degree of protection	IP65/67

### Electrical characteristics

Pollution degree	2
------------------	---

## Classifications

### eclass

eCl@ss 4.0	272607xx
------------	----------

# Panel mounting frames - VS-PPC-F1-RJ45-MNNA-1C-F - 1405222

## Classifications

### eclass

eCl@ss 4.1	27260701
eCl@ss 5.0	27260701
eCl@ss 5.1	27260701
eCl@ss 6.0	27261207
eCl@ss 7.0	27440210

### etim

ETIM 3.0	EC002310
ETIM 4.0	EC002310

### unspsc

UNSPSC 6.01	31261501
UNSPSC 7.0901	31261501
UNSPSC 11	31261501
UNSPSC 12.01	31261501
UNSPSC 13.2	31261501

## Accessories

### Accessories

#### Female insert

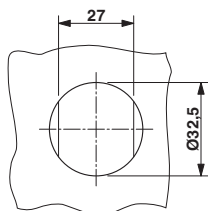
RJ45 female insert - VS-08-BU/BU-RJ45-F - 1405617



RJ45 female insert, for Freenet system, for VS-08 and panel mounting frame CAT5e, 8-pos., socket on socket

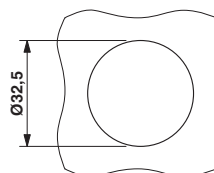
## Drawings

### Drilling diagram



Panel cutout

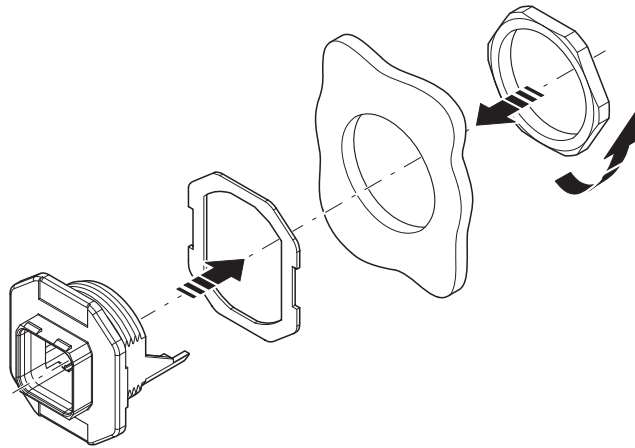
### Dimensioned drawing



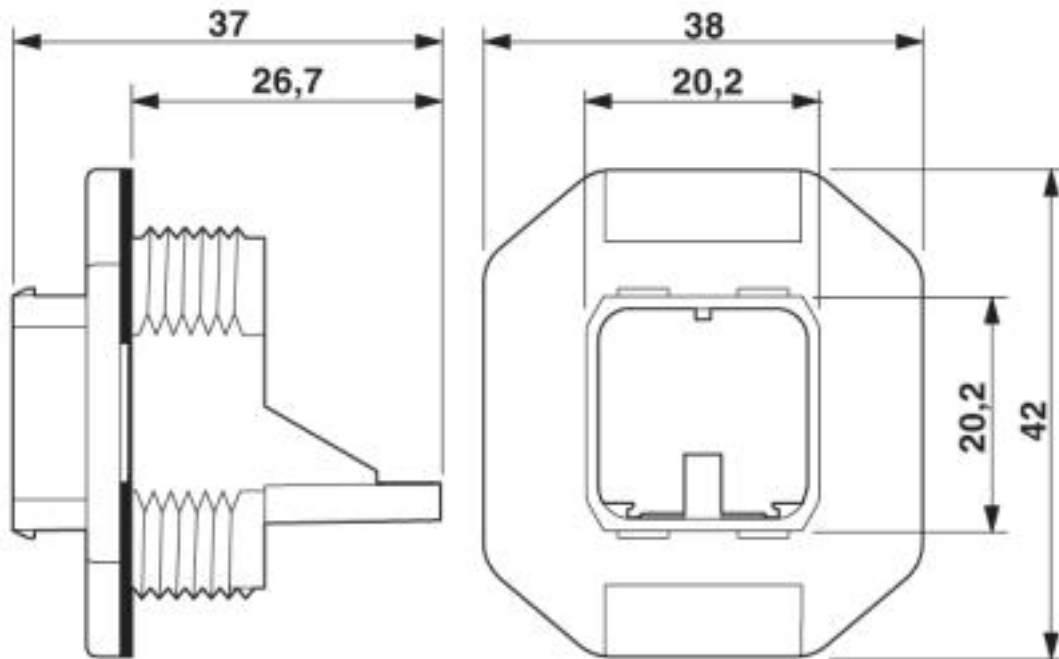
Panel cutout

# Panel mounting frames - VS-PPC-F1-RJ45-MNNA-1C-F - 1405222

Explosion drawing



Dimensioned drawing



Push-Pull panel mounting frame, Freenet system, IP67