



Chipsmall Limited consists of a professional team with an average of over 10 year of expertise in the distribution of electronic components. Based in Hongkong, we have already established firm and mutual-benefit business relationships with customers from,Europe,America and south Asia,supplying obsolete and hard-to-find components to meet their specific needs.

With the principle of “Quality Parts,Customers Priority,Honest Operation,and Considerate Service”,our business mainly focus on the distribution of electronic components. Line cards we deal with include Microchip,ALPS,ROHM,Xilinx,Pulse,ON,Everlight and Freescale. Main products comprise IC,Modules,Potentiometer,IC Socket,Relay,Connector.Our parts cover such applications as commercial,industrial, and automotives areas.

We are looking forward to setting up business relationship with you and hope to provide you with the best service and solution. Let us make a better world for our industry!



Contact us

Tel: +86-755-8981 8866 Fax: +86-755-8427 6832

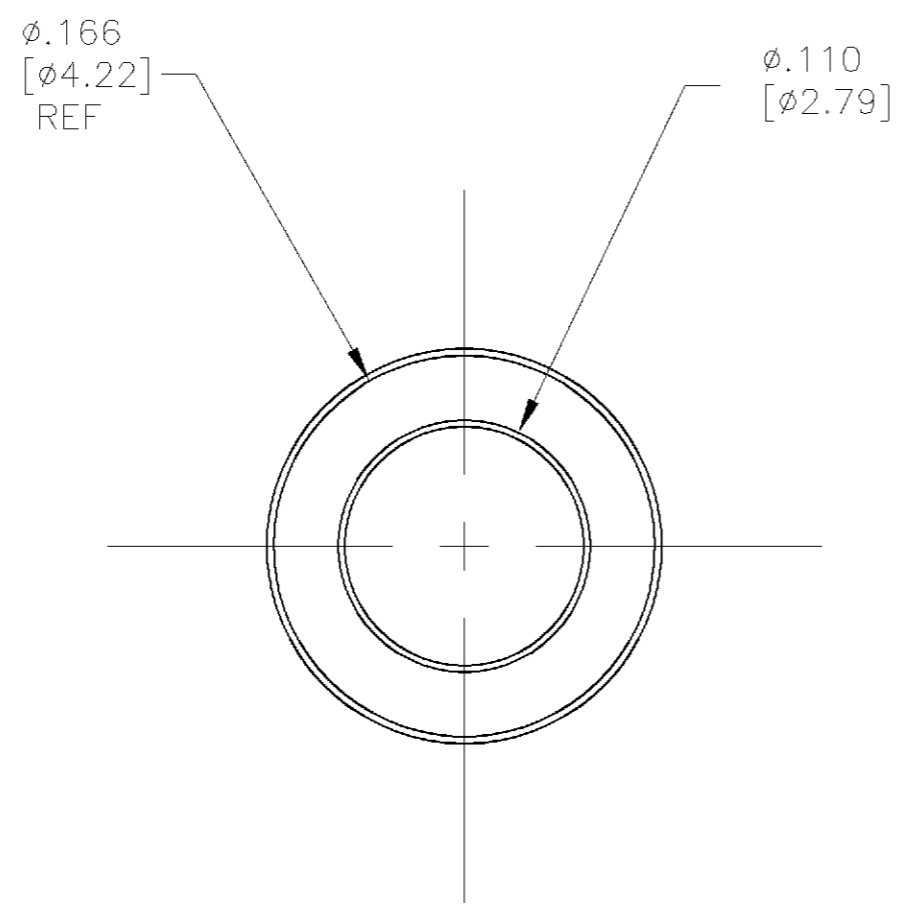
Email & Skype: info@chipsmall.com Web: www.chipsmall.com

Address: A1208, Overseas Decoration Building, #122 Zhenhua RD., Futian, Shenzhen, China



THIS DRAWING IS UNPUBLISHED. RELEASED FOR PUBLICATION
 © COPYRIGHT BY TYCO ELECTRONICS CORPORATION. ALL RIGHTS RESERVED.

LOC	DIST	REVISIONS			
P	LTR	DESCRIPTION	DATE	DWN	APVD
		0	RELEASED PER OS14-0176-02.	-	JGH JGH



COLOR	MATERIAL	PART NUMBER
BLUE	FLOUROSILICONE PER MIL-R-25988, CLASS I, TYPE I	1405423-2
BLACK	BUNA N (NITRILE) PER MIL-P-25732	1405423-1

THIS DRAWING IS A CONTROLLED DOCUMENT.		DWN J. HAVENER 17APR2002	Tyco Electronics Corporation Harrisburg, PA 17105-3608	
DIMENSIONS: INCHES [mm]		CHK J. HAVENER 25APR02		
TOLERANCES UNLESS OTHERWISE SPECIFIED:		APVD J. HAVENER 25APR02	NAME GASKET, O-RING, OSSP (4700-26)	
0 PLC ± - 1 PLC ± - 2 PLC ± .005 [0.13] 3 PLC ± - 4 PLC ± - ANGLES ± -		PRODUCT SPEC N/A	RESTRICTED TO -	
MATERIAL SEE TABLE		FINISH N/A	APPLICATION SPEC N/A	SIZE A3
		WEIGHT -	CAGE CODE 00779	DRAWING NO C-1405423
CUSTOMER DRAWING			SCALE 12:1	SHEET 1 OF 1
			REV 0	