



Chipsmall Limited consists of a professional team with an average of over 10 year of expertise in the distribution of electronic components. Based in Hongkong, we have already established firm and mutual-benefit business relationships with customers from,Europe,America and south Asia,supplying obsolete and hard-to-find components to meet their specific needs.

With the principle of “Quality Parts,Customers Priority,Honest Operation,and Considerate Service”,our business mainly focus on the distribution of electronic components. Line cards we deal with include Microchip,ALPS,ROHM,Xilinx,Pulse,ON,Everlight and Freescale. Main products comprise IC,Modules,Potentiometer,IC Socket,Relay,Connector.Our parts cover such applications as commercial,industrial, and automotives areas.

We are looking forward to setting up business relationship with you and hope to provide you with the best service and solution. Let us make a better world for our industry!



Contact us

Tel: +86-755-8981 8866 Fax: +86-755-8427 6832

Email & Skype: info@chipsmall.com Web: www.chipsmall.com

Address: A1208, Overseas Decoration Building, #122 Zhenhua RD., Futian, Shenzhen, China



Distributor - SAC-ASI-J-Y-N-M12FS - 1405619


Please be informed that the data shown in this PDF Document is generated from our Online Catalog. Please find the complete data in the user's documentation. Our General Terms of Use for Downloads are valid (<http://phoenixcontact.com/download>)



AS-Interface distributor with a high degree of protection, for a branch from one flat-ribbon conductor to one straight, A-coded, 2-pos. M12 socket



Key Commercial Data

| | |
|--------------|---|
| Packing unit | 1 STK |
| GTIN |  4 046356 754958 |
| GTIN | 4046356754958 |

Technical data

Mechanical characteristics

| | |
|-------------------------|----------------------------|
| Number of positions | 2 |
| Connection method | AS-i penetration technique |
| Color | black |
| Tightening torque, min. | 1.65 Nm |
| Degree of protection | IP65/IP67 |

Ambient conditions

| | |
|---|----------------------------------|
| Ambient temperature (operation) | -25 °C ... 75 °C (Plug / socket) |
| Ambient temperature (storage/transport) | -25 °C ... 85 °C |
| Degree of protection | IP65 |
| | IP67 |

Material data

| | |
|--------------------------|------|
| Housing material | PBT |
| Contact material | CuSn |
| Contact surface material | Au |

Electrical characteristics

| | |
|-----------------------|--------|
| Rated voltage (III/3) | ≤ 32 V |
|-----------------------|--------|

Distributor - SAC-ASI-J-Y-N-M12FS - 1405619

Technical data

Electrical characteristics

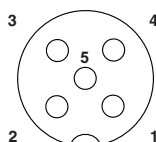
| | |
|---------------|-------|
| Rated current | ≤ 4 A |
|---------------|-------|

Pin assignment

| | |
|--|--|
| Position = wire color (signal) = position (optional) | 1 (M12 socket) AS-i+ 3.1 (AS-i distributors) |
| | 2 (M12 socket) N.C. |
| | 3 (M12 socket) AS-i- 3.2 (AS-i distributors) |
| | 4 (M12 socket) N.C. |
| | 5 (M12 socket) N.C. |

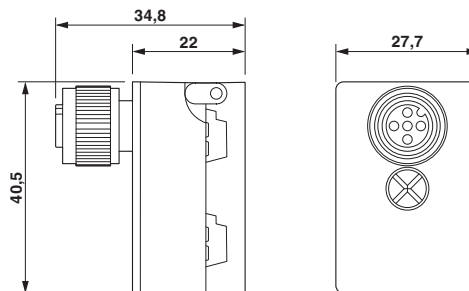
Drawings

Schematic diagram



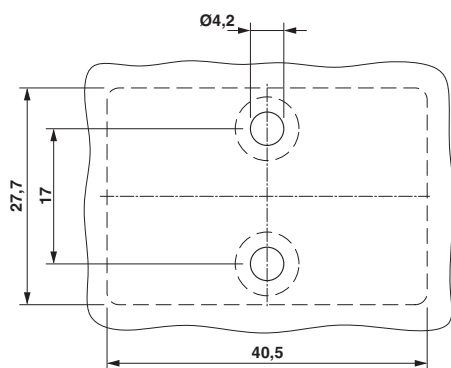
Pin assignment M12, PIN 1: AS-i +, PIN 3: AS-i -, PIN 2,4,5: Not used

Dimensional drawing

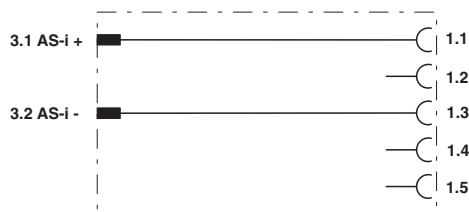


Distributor, AS-Interface

Dimensional drawing



Circuit diagram



Contact assignment of the AS-Interface distributor

Distance and position of the mounting holes

Approvals

Approvals

Approvals


EAC

Distributor - SAC-ASI-J-Y-N-M12FS - 1405619

Approvals

Ex Approvals

Approval details

| | | |
|-----|---|---------------|
| EAC |  | EAC-Zulassung |
|-----|---|---------------|

Phoenix Contact 2017 © - all rights reserved
<http://www.phoenixcontact.com>

PHOENIX CONTACT GmbH & Co. KG
Flachmarktstr. 8
32825 Blomberg
Germany
Tel. +49 5235 300
Fax +49 5235 3 41200
<http://www.phoenixcontact.com>