



Chipsmall Limited consists of a professional team with an average of over 10 year of expertise in the distribution of electronic components. Based in Hongkong, we have already established firm and mutual-benefit business relationships with customers from,Europe,America and south Asia,supplying obsolete and hard-to-find components to meet their specific needs.

With the principle of “Quality Parts,Customers Priority,Honest Operation,and Considerate Service”,our business mainly focus on the distribution of electronic components. Line cards we deal with include Microchip,ALPS,ROHM,Xilinx,Pulse,ON,Everlight and Freescale. Main products comprise IC,Modules,Potentiometer,IC Socket,Relay,Connector.Our parts cover such applications as commercial,industrial, and automotives areas.

We are looking forward to setting up business relationship with you and hope to provide you with the best service and solution. Let us make a better world for our industry!



Contact us

Tel: +86-755-8981 8866 Fax: +86-755-8427 6832

Email & Skype: info@chipsmall.com Web: www.chipsmall.com

Address: A1208, Overseas Decoration Building, #122 Zhenhua RD., Futian, Shenzhen, China



4

3

2

1

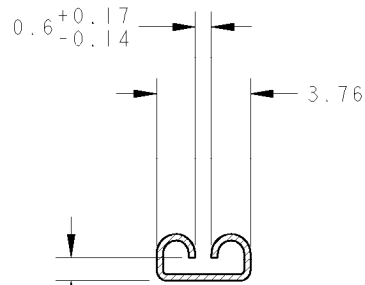
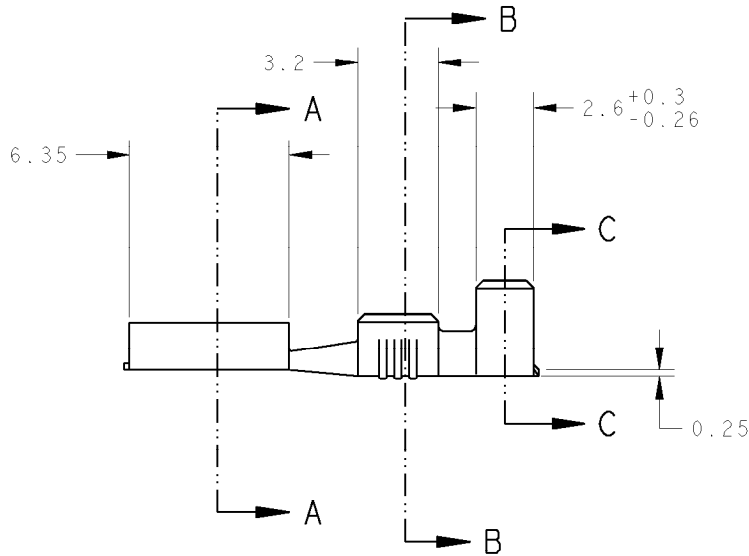
THIS DRAWING IS UNPUBLISHED.
DIFFUSION RESTREINTE AMP

RELEASED FOR PUBLICATION
LIBRE A LA DIFFUSION 20

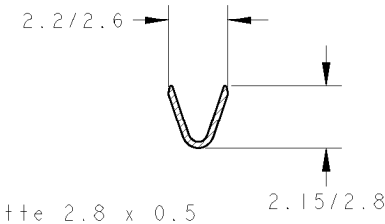
© COPYRIGHT BY

ALL RIGHTS RESERVED.
TOUS DROITS RESERVES

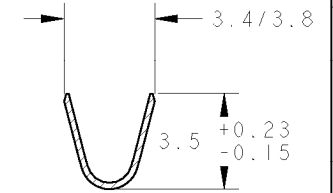
LOC	DIST	REVISIONS			
P	LTR REV	DESCRIPTION MODIFICATIONS	DATE	DWN DESS.	APVD APP.
F	7	S2	PN140719-1 OBSOLETE	31DEC2012	PKS RRP



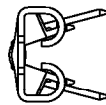
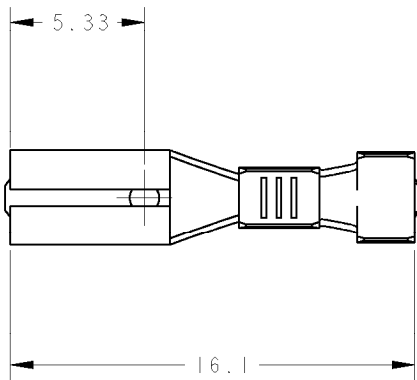
Entre fer pour languette 2.8 x 0.5
(Gap for tab 2.8 x 0.5 series)
COUPE A-A



COUPE B-B



COUPE C-C



1.5 2.5	0.3 1	0.5	DORE	LAITON	141286-3	140719-3	140717-4
1.5 2.5	0.3 1	0.5	ARGENTE	LAITON	-	140719-4	140717-3
1.5 2.5	0.3 1	0.5	PRE-ETAME	LAITON	141286-2	140719-2	140717-2
1.5 2.5	0.3 1	0.5	BRUT	LAITON	141286-1	140719-1	140717-1
DIA. ISOLANT	SECTION mm ²	Ep. TAB	FINITION	MATIERE	REFERENCE VRAC PREFORME	REFERENCE VRAC	REFERENCE

1 PRODUIT LIVRE EN BANDE: PAS 17.9±0.1
CONTINUOUS STRIP ON REEL: FEED 17.9±0.1

DIMENSIONS: mm		TOLERANCES UNLESS OTHERWISE SPECIFIED: TOLERANCES NON SPECIFIEES (SUIV. NR DE DECIMALES): ± ± ±0.13 ± ±		DWN/DESSINE 27MAR2001 C. COMBEDOUZON CHK/VERIFIE 02APR2001 V. FONDREVELLE APVD/APPROUVE 02APR2001 G. ROBERT		STE TE Connectivity	
MATERIAL/MATIERE v. table		FINISH/FINITION v. table		PRODUCT SPEC SPEC. PRODUIT		NAME TITRE	
APPLICATION SPEC SPEC. APPLICATION		114-35000		SIZE FORMAT		110 SERIES FASTON RECEPTACLE	
WEIGHT MASSE APPROX.		-		CAGE CODE		DRAWING NO No PLAN	
CUSTOMER DRAWING /PLAN CLIENT		UNIFORMEMENT POUR REFERENCE		SCALE ECHELLE 5:1		RESTRICTED TO RESERVE A	
				A3 00779		REV S2	