



Chipsmall Limited consists of a professional team with an average of over 10 year of expertise in the distribution of electronic components. Based in Hongkong, we have already established firm and mutual-benefit business relationships with customers from,Europe,America and south Asia,supplying obsolete and hard-to-find components to meet their specific needs.

With the principle of “Quality Parts,Customers Priority,Honest Operation,and Considerate Service”,our business mainly focus on the distribution of electronic components. Line cards we deal with include Microchip,ALPS,ROHM,Xilinx,Pulse,ON,Everlight and Freescale. Main products comprise IC,Modules,Potentiometer,IC Socket,Relay,Connector.Our parts cover such applications as commercial,industrial, and automotives areas.

We are looking forward to setting up business relationship with you and hope to provide you with the best service and solution. Let us make a better world for our industry!



## Contact us

Tel: +86-755-8981 8866 Fax: +86-755-8427 6832

Email & Skype: info@chipsmall.com Web: www.chipsmall.com

Address: A1208, Overseas Decoration Building, #122 Zhenhua RD., Futian, Shenzhen, China



# RJ45 socket insert - CUC-V04-BU-90 - 1407408

Please be informed that the data shown in this PDF Document is generated from our Online Catalog. Please find the complete data in the user's documentation. Our General Terms of Use for Downloads are valid (<http://phoenixcontact.com/download>)



RJ45 socket insert, contact inserts: x , type: RJ45, IP20, degree of protection: IP20, number of positions: 8, CAT5, material: Copper alloy, connection method: Solder connection



## Key Commercial Data

Packing unit	1 STK
GTIN	
GTIN	4046356772280

## Technical data

### Mechanical characteristics

Standards/specifications	IEC 60603-7
Number of positions	8
Connection profile	RJ45
Insertion/withdrawal cycles	≥ 750
Connection method	Solder connection
Degree of protection	IP20
Type	Female

### Ambient conditions

Ambient temperature (operation)	-40 °C ... 70 °C
Ambient temperature (storage/transport)	-40 °C ... 70 °C
Degree of protection	IP20

### Material data

Flammability rating according to UL 94	V0
Housing material	Copper alloy
Height	15 mm

### Electrical characteristics

# RJ45 socket insert - CUC-V04-BU-90 - 1407408

## Technical data

### Electrical characteristics

Number of positions	8
Nominal voltage $U_N$	50 V
Nominal current $I_N$	1.5 A
GRP transmission properties	CAT5
Rated current	1.5 A
Rated voltage (III/3)	125 V

### Standards and Regulations

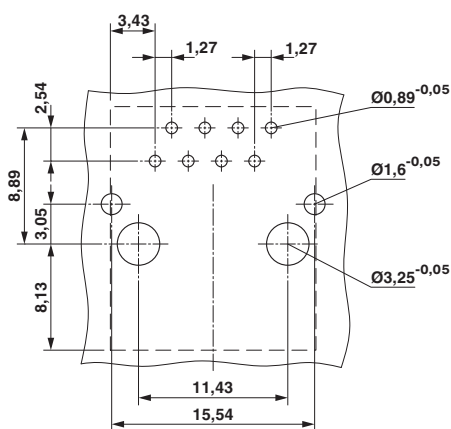
Standards/regulations	IEC 60603-7
Flammability rating according to UL 94	V0

### Environmental Product Compliance

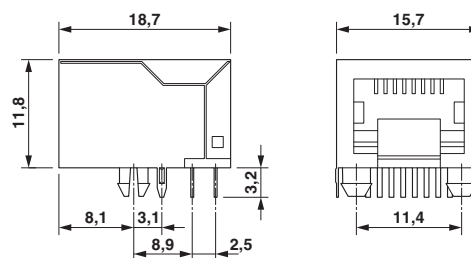
China RoHS	Environmentally Friendly Use Period = 50
	For details about hazardous substances go to tab "Downloads", Category "Manufacturer's declaration"

## Drawings

Drilling diagram



Dimensional drawing



Phoenix Contact 2018 © - all rights reserved  
<http://www.phoenixcontact.com>

PHOENIX CONTACT GmbH & Co. KG  
 Flachsmarktstr. 8  
 32825 Blomberg  
 Germany  
 Tel. +49 5235 300  
 Fax +49 5235 3 41200  
<http://www.phoenixcontact.com>