



Chipsmall Limited consists of a professional team with an average of over 10 year of expertise in the distribution of electronic components. Based in Hongkong, we have already established firm and mutual-benefit business relationships with customers from,Europe,America and south Asia,supplying obsolete and hard-to-find components to meet their specific needs.

With the principle of “Quality Parts,Customers Priority,Honest Operation,and Considerate Service”,our business mainly focus on the distribution of electronic components. Line cards we deal with include Microchip,ALPS,ROHM,Xilinx,Pulse,ON,Everlight and Freescale. Main products comprise IC,Modules,Potentiometer,IC Socket,Relay,Connector.Our parts cover such applications as commercial,industrial, and automotives areas.

We are looking forward to setting up business relationship with you and hope to provide you with the best service and solution. Let us make a better world for our industry!



Contact us

Tel: +86-755-8981 8866 Fax: +86-755-8427 6832

Email & Skype: info@chipsmall.com Web: www.chipsmall.com

Address: A1208, Overseas Decoration Building, #122 Zhenhua RD., Futian, Shenzhen, China



Distributor - SAC-ASI-J-Y-B-FFKDS - 1407579


Please be informed that the data shown in this PDF Document is generated from our Online Catalog. Please find the complete data in the user's documentation. Our General Terms of Use for Downloads are valid (<http://phoenixcontact.com/download>)



AS-Interface distributor, for a branch from two flat-ribbon conductors to two double spring-cage terminal blocks



Key Commercial Data

Packing unit	1 STK
GTIN	 4 046356 779999
GTIN	4046356779999

Technical data

Mechanical characteristics

Number of positions	4
Connection method	AS-i penetration technique
Conductor cross section	0.2 mm ² ... 1.5 mm ² 0.25 mm ² ... 0.75 mm ² (with ferrules)
Connection cross section AWG	24 ... 16 23 ... 18 (with ferrules)
Color	black
Tightening torque, min.	1.65 Nm
Degree of protection	IP20

Ambient conditions

Ambient temperature (operation)	-25 °C ... 75 °C (Plug / socket)
Ambient temperature (storage/transport)	-25 °C ... 85 °C

Material data

Housing material	PBT
Contact material	CuSn
Contact surface material	Au
Material	CuSn (Leg spring)

Distributor - SAC-ASI-J-Y-B-FFKDS - 1407579

Technical data

Material data

	PA (Spring-cage terminal block housing)
	Tin-plated (Leg spring contact surface)

Electrical characteristics

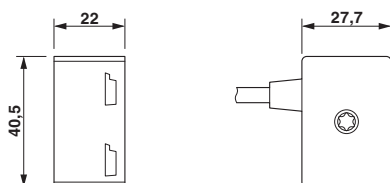
Rated voltage (III/3)	≤ 35 V
Rated current	≤ 6 A

Pin assignment

Position = wire color (signal) = position (optional)	1+ (Spring connection) AS-i+ 3.1 (AS-i distributors)
	1- (Spring connection) AS-i- 3.2 (AS-i distributors)
	2+ (Spring connection) AS-i+ 4.1 (AS-i distributors)
	2- (Spring connection) AS-i- 4.2 (AS-i distributors)

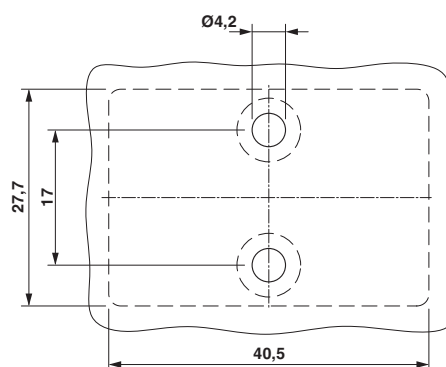
Drawings

Dimensional drawing



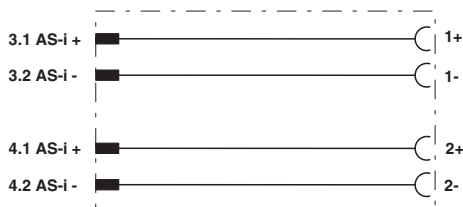
Distributor, AS-Interface

Dimensional drawing



Distance and position of the mounting holes

Circuit diagram



Contact assignment of the AS-Interface distributor

Phoenix Contact 2017 © - all rights reserved
<http://www.phoenixcontact.com>

PHOENIX CONTACT GmbH & Co. KG
Flachmarktstr. 8
32825 Blomberg
Germany
Tel. +49 5235 300
Fax +49 5235 3 41200
<http://www.phoenixcontact.com>