



Chipsmall Limited consists of a professional team with an average of over 10 year of expertise in the distribution of electronic components. Based in Hongkong, we have already established firm and mutual-benefit business relationships with customers from,Europe,America and south Asia,supplying obsolete and hard-to-find components to meet their specific needs.

With the principle of “Quality Parts,Customers Priority,Honest Operation,and Considerate Service”,our business mainly focus on the distribution of electronic components. Line cards we deal with include Microchip,ALPS,ROHM,Xilinx,Pulse,ON,Everlight and Freescale. Main products comprise IC,Modules,Potentiometer,IC Socket,Relay,Connector.Our parts cover such applications as commercial,industrial, and automotives areas.

We are looking forward to setting up business relationship with you and hope to provide you with the best service and solution. Let us make a better world for our industry!



Contact us

Tel: +86-755-8981 8866 Fax: +86-755-8427 6832

Email & Skype: info@chipsmall.com Web: www.chipsmall.com

Address: A1208, Overseas Decoration Building, #122 Zhenhua RD., Futian, Shenzhen, China



Socket Outlet - EV-GBM3SE12-3AC32A-0,7M6,0E10 - 1408172

Please be informed that the data shown in this PDF Document is generated from our Online Catalog. Please find the complete data in the user's documentation. Our General Terms of Use for Downloads are valid (<http://phoenixcontact.com/download>)



Infrastructure Socket Outlet for charging electric vehicles with alternating current (AC), compatible with Infrastructure Plugs, GB/T, GB/T 20234.2-2015, 32 A / 440 V (AC), 12 V Locking actuator, Single wires, length: 0.7 m, Rear panel mounting

Product Description

Infrastructure Socket Outlet for charging electric vehicles (EV) with alternating current (AC), compatible with GB/T Infrastructure Plugs, for installation at charging stations for E-Mobility (EVSE)

Why buy this product

- ✓ Uniform, space-saving installation space of all Phoenix Contact Infrastructure Socket Outlets
- ✓ Silver-plated surface of the power and signal contacts
- ✓ Certified in accordance with IATF 16949:2016 and ISO 9001:2015
- ✓ Material data available in the IMDS (International Material Data System of the automotive industry)
- ✓ Manual emergency release of the locking actuator
- ✓ Integrated interlock during charging



Key Commercial Data

Packing unit	1 STK
GTIN	
GTIN	4046356856034

Technical data

Product definition

Product type	Infrastructure Socket Outlet for charging electric vehicles with alternating current (AC), compatible with Infrastructure Plugs
Type	Hinged cover screw connection at the rear
Standards/regulations	GB/T 20234.2-2015
Charging standard	GB/T
Charging mode	Mode 3, Case B
Note on the connection method	Crimp connection, cannot be disconnected

Dimensions

Socket Outlet - EV-GBM3SE12-3AC32A-0,7M6,0E10 - 1408172

Technical data

Dimensions

Height	96 mm
Width	75 mm
Depth	76.2 mm
Bore dimensions	60 mm x 60 mm
Conductor length	0.7 m (AC cables)
	0.5 m (Locking actuator cables)
Cable structure	5x 6.0 mm ² + 2x 0.5 mm ²
Type of conductor	Single wires

Ambient conditions

Ambient temperature (operation)	-30 °C ... 50 °C
Ambient temperature (storage/transport)	-40 °C ... 80 °C
Max. altitude	5000 m (above sea level)
Degree of protection	IP55 (plugged in)
	IP55 (with hinged cover, see accessories)

Electrical properties

Maximum charging power	14 kW
Type of charging current	AC 3-phase
Number of phases	3
Number of power contacts	5 (L1, L2, L3, N, PE)
Rated current of power contacts	32 A
Rated voltage for power contacts	440 V AC
Number of signal contacts	2 (CP, CC)
Rated current for signal contacts	2 A
Rated voltage for signal contacts	30 V AC
Type of signal transmission	Pulse width modulation

Mechanical properties

Insertion/withdrawal cycles	> 10000
Insertion force	< 100 N
Withdrawal force	< 100 N

Mounting

Possible mounting positions	Rear panel mounting
Restrictions to mounting position	Only 0 to 90 degree frontal inclination possible, see figure
Mounting position of the locking actuator	Top center
Required installation depth	< 5 mm (Rear panel mounting)
Max. wall thickness	> 57 mm (Rear panel mounting)
Mounting hole diameter	7.00 mm (ø)

Design

Design line	Standard
-------------	----------

Socket Outlet - EV-GBM3SE12-3AC32A-0,7M6,0E10 - 1408172

Technical data

Design

Housing color	black
Customer variations	On request

Material

Material	Plastic
Material surface of contacts	Ag

Locking

Locking type	Locking in the inserted state with a locking mechanism
Locking voltage	12 V
Locking detection	available
Mechanical emergency release	available

Locking actuator

Typical power supply at the motor	12 V
Possible power supply range at the motor	9 V ... 16 V
Typical motor current for locking	0.2 A
Max. reverse current of the motor	1 A
Max. dwell time with reverse current	1000 ms
Recommended adaptation time	600 ms
Pause time after entry or exit path	3 s
Maximum voltage for locking detection	30 V
Service life	> 10000 load cycles
Ambient temperature (operation)	-30 °C ... 50 °C
Length of cable	0.5 m

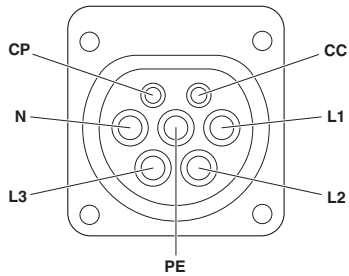
Environmental Product Compliance

REACH SVHC	Lead 7439-92-1
China RoHS	Environmentally Friendly Use Period = 10;
	For details about hazardous substances go to tab "Downloads", Category "Manufacturer's declaration"

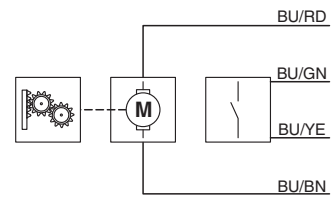
Drawings

Socket Outlet - EV-GBM3SE12-3AC32A-0,7M6,0E10 - 1408172

Connection diagram



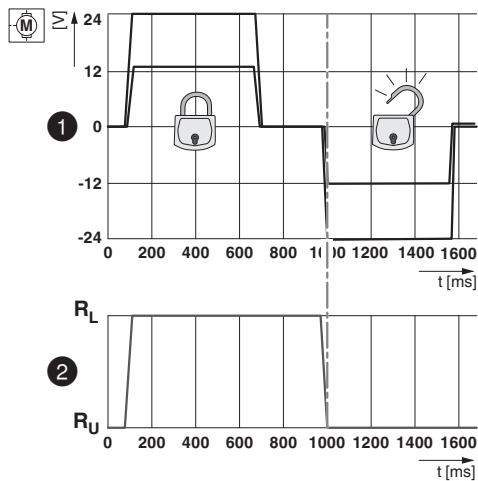
Block diagram



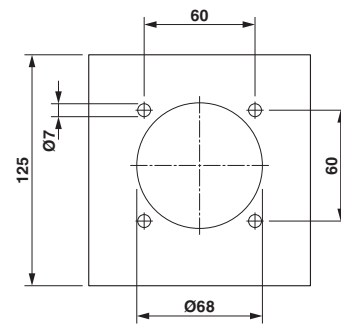
Block diagram of the locking actuator

Pin assignment of Infrastructure Socket Outlet

Diagram



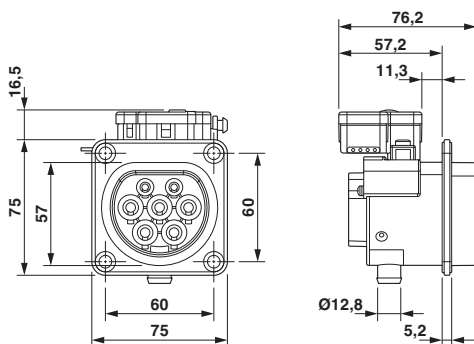
Dimensional drawing



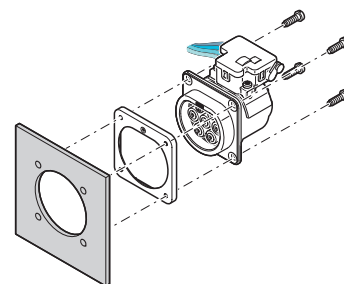
Hole image

Locking states of the locking actuator

Dimensional drawing



Schematic diagram

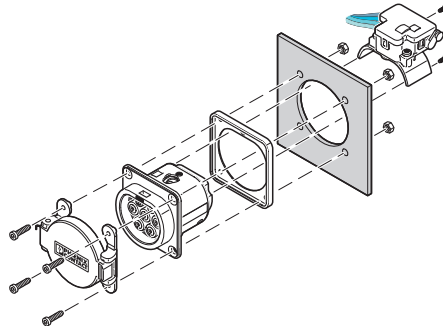


Rear mounting with locking actuator

Dimensional drawing

Socket Outlet - EV-GBM3SE12-3AC32A-0,7M6,0E10 - 1408172

Schematic diagram

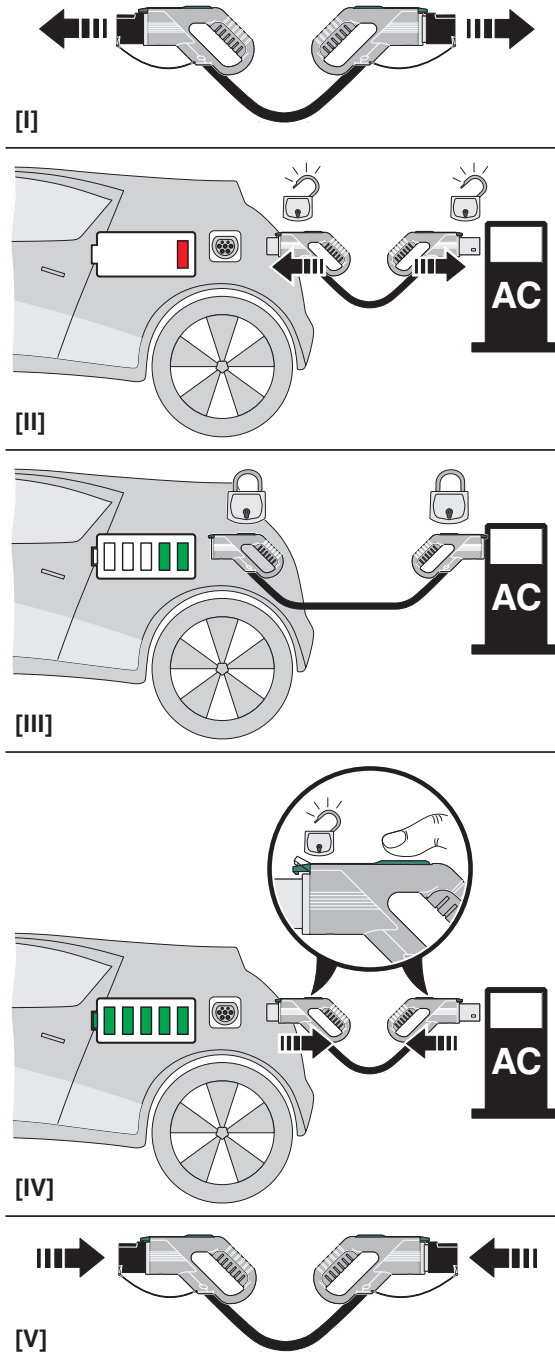


Front mounting with rear hinged cover screw connection

Front mounting is only possible when the locking actuator is removed. The screw connection for a hinged cover from the accessories range (EV-GBSC...) only supports rear mounting.

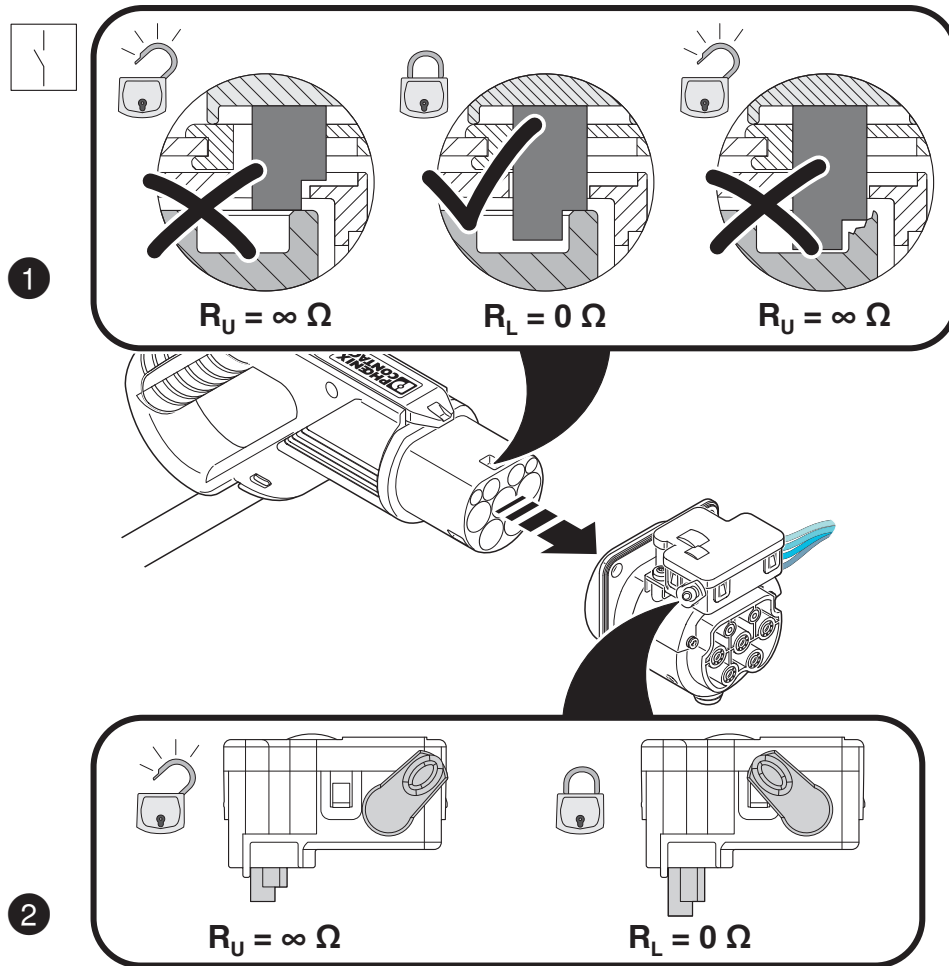
Socket Outlet - EV-GBM3SE12-3AC32A-0,7M6,0E10 - 1408172

Schematic diagram



Socket Outlet - EV-GBM3SE12-3AC32A-0,7M6,0E10 - 1408172

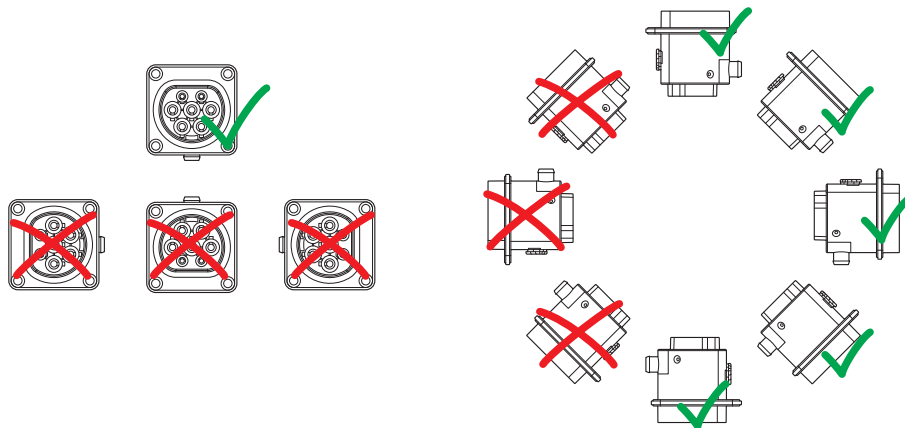
Schematic diagram



Detection of the Infrastructure Plug

Socket Outlet - EV-GBM3SE12-3AC32A-0,7M6,0E10 - 1408172

Schematic diagram



Installation positions

Phoenix Contact 2018 © - all rights reserved
<http://www.phoenixcontact.com>

PHOENIX CONTACT GmbH & Co. KG
Flachsmarktstr. 8
32825 Blomberg
Germany
Tel. +49 5235 300
Fax +49 5235 3 41200
<http://www.phoenixcontact.com>