



Chipsmall Limited consists of a professional team with an average of over 10 year of expertise in the distribution of electronic components. Based in Hongkong, we have already established firm and mutual-benefit business relationships with customers from,Europe,America and south Asia,supplying obsolete and hard-to-find components to meet their specific needs.

With the principle of "Quality Parts,Customers Priority,Honest Operation,and Considerate Service",our business mainly focus on the distribution of electronic components. Line cards we deal with include Microchip,ALPS,ROHM,Xilinx,Pulse,ON,Everlight and Freescale. Main products comprise IC,Modules,Potentiometer,IC Socket,Relay,Connector.Our parts cover such applications as commercial,industrial, and automotives areas.

We are looking forward to setting up business relationship with you and hope to provide you with the best service and solution. Let us make a better world for our industry!



Contact us

Tel: +86-755-8981 8866 Fax: +86-755-8427 6832

Email & Skype: info@chipsmall.com Web: www.chipsmall.com

Address: A1208, Overseas Decoration Building, #122 Zhenhua RD., Futian, Shenzhen, China



THIS DRAWING IS UNPUBLISHED.

RELEASED FOR PUBLICATION

ALL RIGHTS RESERVED.

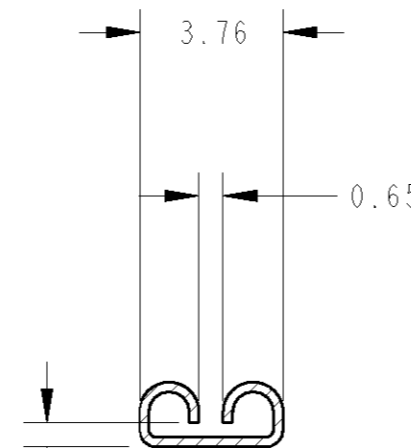
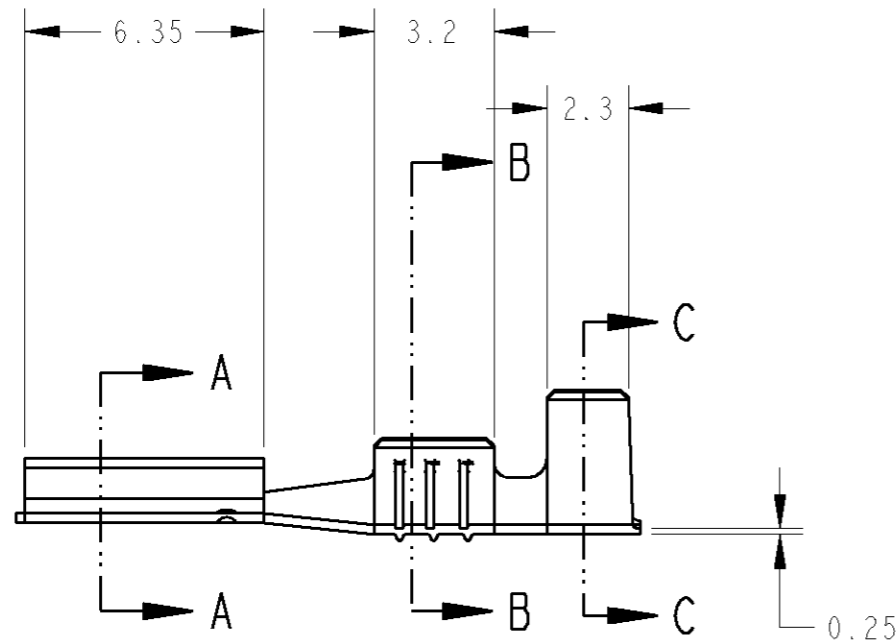
© COPYRIGHT

LOC
F

DIST
7

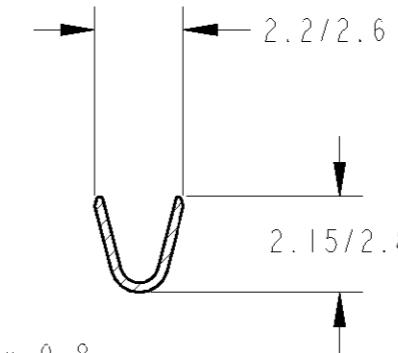
REVISIONS

P	LTR REV	DESCRIPTION MODIFICATIONS	DATE	DWN DESS.	APVD APP.
A2		REVISED PER ECO-11-005140	01APR11	RK	HMR

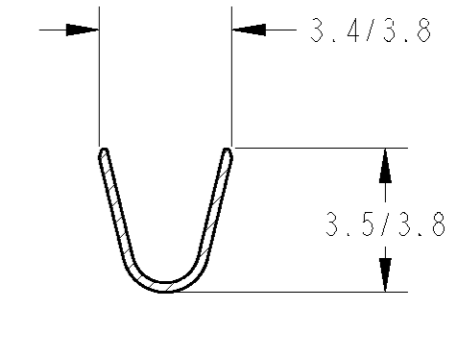


Entre-fer pour languette 2.8 x 0.8
Gap for tab 2.8 x 0.8 series.

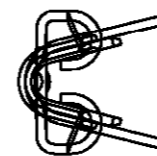
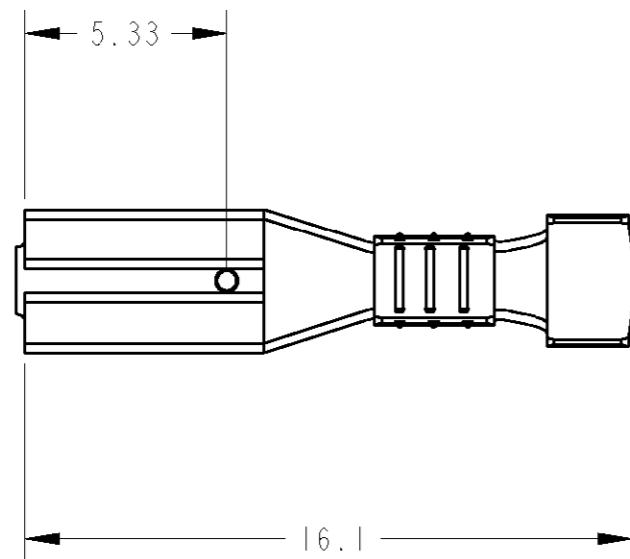
COUPE A-A



COUPE B-B



COUPE C-C




2

DIA. ISOLANT	SECTION mm ²	Ep. TAB	FINITION	MATIERE	REFERENCE VRAC PREFORME	REFERENCE VRAC	REFERENCE
1.5 2.5	0.3 1	0.8	POST ETAME	LAITON	141287-3	/	140825-3
1.5 2.5	0.3 1	0.8	PRE ETAME	LAITON	141287-2	140852-2	140825-2
1.5 2.5	0.3 1	0.8	BRUT	LAITON	141287-1	140852-1	140825-1

1 PRODUIT LIVRE EN BANDE, PAS 17.9±0.1.
CONTINUOUS STRIP ON REEL, FEED 17.9±0.1.

2 OBSOLETE PARTS: OBSOLETE CIS STREAMLINING PER D.RENAUD/D.SINISI

DIMS: mm		TOLERANCES UNLESS OTHERWISE SPECIFIED: (SUIV NB DE DECIMALES): 0 PLC / DEC: ± 1 PLC / DEC: ±0.5 2 PLC / DEC: ±0.13 3 PLC / DEC: ±0.013 4 PLC / DEC: ±0.0001 ANGLES ±		DWN / DESSINE 09DEC97 Gérard ROBERT CHK / VERIFIE 09DEC97 Gérard ROBERT APVD / APPROUVE 09DEC97 Yves PETRONIN		 TE Connectivity .110 SERIES RECEPTACLE, FASTON		RESTRICTED TO RESERVE A	
MATERIAL MATIERE VOIR TABLEAU		FINISH FINITION VOIR TABLEAU		APPLICATION SPEC SPEC. APPLICATION 114-35000				SIZE FORMAT A3	
CUSTOMER DRAWING / PLAN CLIENT				UNIQUEMENT POUR REFERENCE		SCALE ECHELLE 5:1		SHEET FEUILLE OF DE	
								REV A2	