



Chipsmall Limited consists of a professional team with an average of over 10 year of expertise in the distribution of electronic components. Based in Hongkong, we have already established firm and mutual-benefit business relationships with customers from,Europe,America and south Asia,supplying obsolete and hard-to-find components to meet their specific needs.

With the principle of "Quality Parts,Customers Priority,Honest Operation,and Considerate Service",our business mainly focus on the distribution of electronic components. Line cards we deal with include Microchip,ALPS,ROHM,Xilinx,Pulse,ON,Everlight and Freescale. Main products comprise IC,Modules,Potentiometer,IC Socket,Relay,Connector.Our parts cover such applications as commercial,industrial, and automotives areas.

We are looking forward to setting up business relationship with you and hope to provide you with the best service and solution. Let us make a better world for our industry!



Contact us

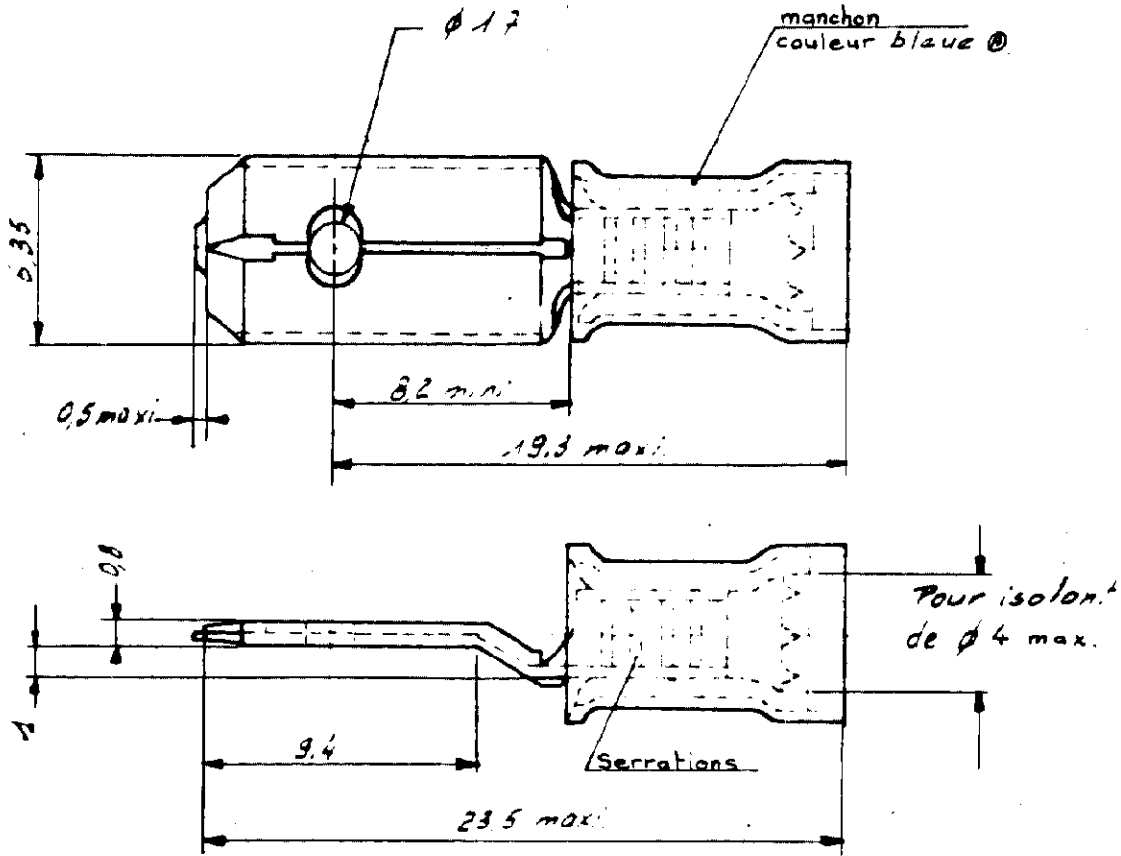
Tel: +86-755-8981 8866 Fax: +86-755-8427 6832

Email & Skype: info@chipsmall.com Web: www.chipsmall.com

Address: A1208, Overseas Decoration Building, #122 Zhenhua RD., Futian, Shenzhen, China



NUMERO
C. 14-0971




1 OBSOLETE PARTS: OBSOLETE CIS STREAMLINING PER D.RENAUD/D.SINISI

REF. VRAC : 140 971-2

REF. BANDE : ~~140 971-3~~ OBSOLETE 1

LES COTES SONT DONNEES EN mm ET NE DOIVENT PAS ETRE RELEVEES A L'EGHELLE SUR LE DESSIN

D2	REVISED PER ECO-09-026346	KK	AEG	26NOV 09	PROTECTED BY AMP IN THE PATENT AND RIGHTS RESERVED AMP PRODUCTS COVERED BY PATENTS AND/OR PATENTS PENDING	DESSIN CLIENT UNIQUEMENT POUR REFERENCE
D1	Ajouté PN's	GR		10/95	MATIERE ET FINITION Laiton	 AMP DE FRANCE SA MONTAISE
D	Ajouté matière manchon	SD		10/10/94	manchons: nylon	
C	Revisé	FB		2/1/93	2 : étame	CLASSE 6.35 Série
B	Revisé			20.68	DIMENS - FIL	TYPE P I D G
A	Revisé			26.X.66	1,3 à 2,4 mm ø 4 Maxi	
INC	CHANGEMENT	DES	VER	DATE	TOLERANCES SAUF INDICATION	ECHELLE 4:1
DESSINE KY	17 III 66	APPROUVE P. S. N. N. 11009/91			FA	C.140971
VERIFIE MB	18 II 66				LANGUETTE FASTON	
						REV D2

13