



Chipsmall Limited consists of a professional team with an average of over 10 year of expertise in the distribution of electronic components. Based in Hongkong, we have already established firm and mutual-benefit business relationships with customers from,Europe,America and south Asia,supplying obsolete and hard-to-find components to meet their specific needs.

With the principle of “Quality Parts,Customers Priority,Honest Operation,and Considerate Service”,our business mainly focus on the distribution of electronic components. Line cards we deal with include Microchip,ALPS,ROHM,Xilinx,Pulse,ON,Everlight and Freescale. Main products comprise IC,Modules,Potentiometer,IC Socket,Relay,Connector.Our parts cover such applications as commercial,industrial, and automotives areas.

We are looking forward to setting up business relationship with you and hope to provide you with the best service and solution. Let us make a better world for our industry!



## Contact us

Tel: +86-755-8981 8866 Fax: +86-755-8427 6832

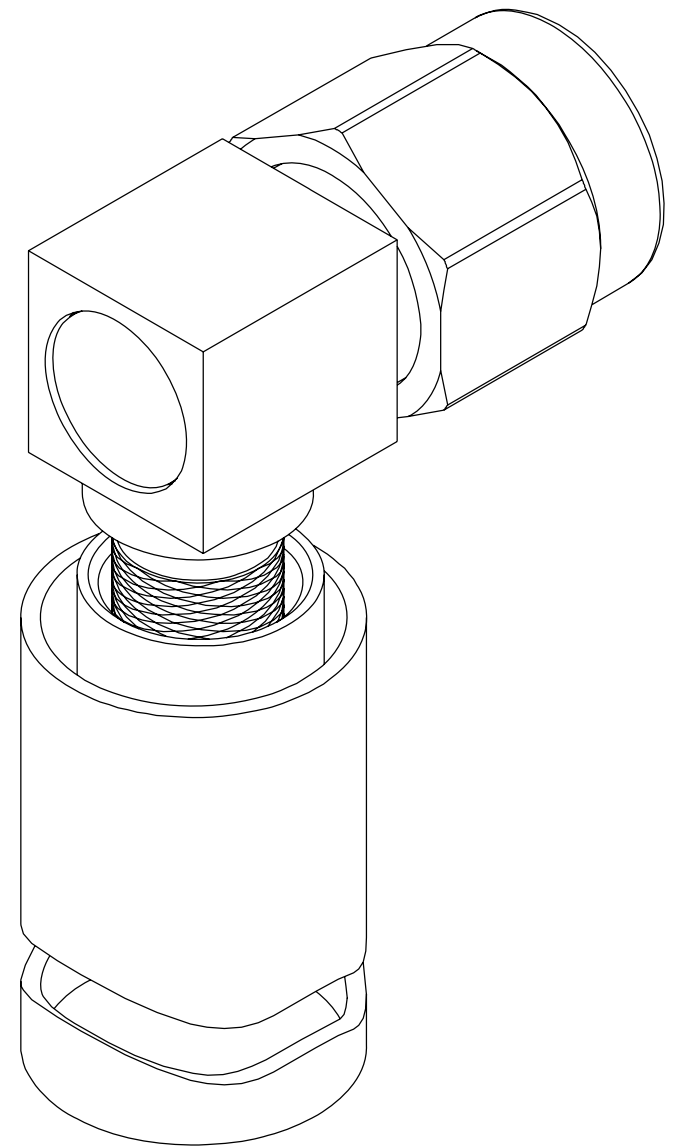
Email & Skype: info@chipsmall.com Web: www.chipsmall.com

Address: A1208, Overseas Decoration Building, #122 Zhenhua RD., Futian, Shenzhen, China

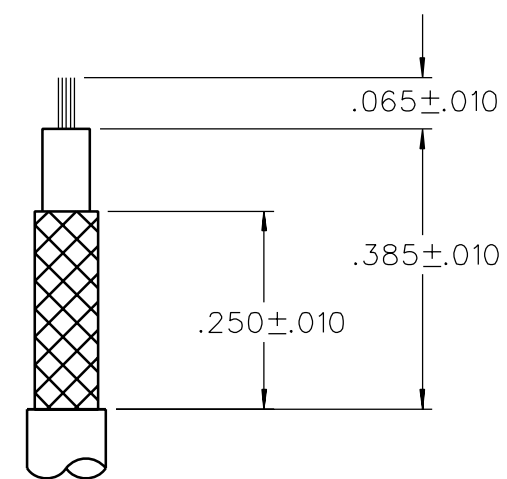
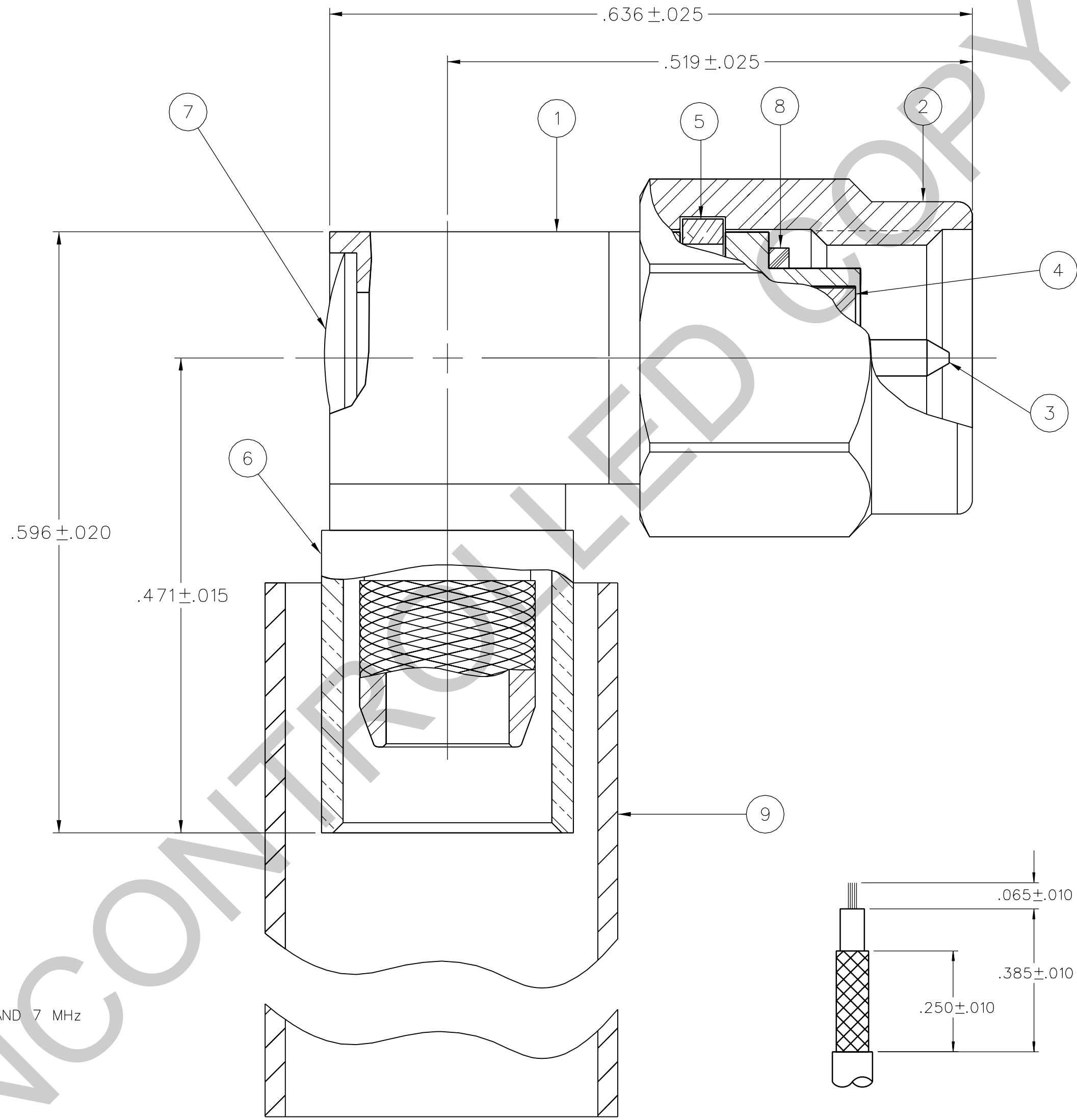


PART NUMBER 141-0407-102	ITEM ① BODY STAINLESS STEEL PASSIVATED	ITEM ② NUT STAINLESS STEEL PASSIVATED	ITEM ③ CONTACT BRASS GOLD PL .00005 MIN OVER NICKEL PL .00005 MIN OVER COPPER PL .00005 MIN	ITEM ④ INSULATOR TEFLON	ITEM ⑤ RETENTION SPRING BERYLLIUM COPPER UNPLATED	ITEM ⑥ CRIMP SLEEVE COPPER NICKEL PL .0001 MIN OVER COPPER PL .00005 MIN	ITEM ⑦ END CAP BRASS NICKEL PL .0001 MIN OVER COPPER PL .00005 MIN	ITEM ⑧ GASKET SILICONE	ITEM ⑨ HEAT SHRINK POLYOLEFIN COLOR: BLACK
-----------------------------	---	--	--	-------------------------------	--	--	--	------------------------------	---

DRAWING NO. C - 141-0407-101/110	
0 REVISIONS	
ENGINEERING RELEASE	
01	05-03-90 [E] [R] [A] [J] [B] [W] 5-11-90 ECO 24553
UPDATE TO THICKWALL BODY, INSULATOR AND CONTACT.	
02	03-09-91 [D] [V] [T] [R] [A] [J] [B] [W] [K] [L] [M] [N] [O] [P] [Q] [R] [S] [T] [U] [V] [W] [X] [Y] [Z] 3-20-91 ECO 40034
CHANGED: RF LEAK 2.5 GHz WAS 2 TO 3 GHz, RF HIGH POT 4 AND 7 MHz WAS 5 TO 7.5 MHz	
3	12-2-93 [R] [T] [R] [A] [J] [B] [W] [K] [L] [M] [N] [O] [P] [Q] [R] [S] [T] [U] [V] [W] [X] [Y] [Z] ECO 42106
.636 WAS .664, .596 WAS .597 .471 WAS .456 REMOVE 141-0408-101	
4	5-9-06 [P] [S] [R] [P] [A] [B] [D] [J] [W] [K] [L] [M] [N] [O] [P] [Q] [R] [S] [T] [U] [V] [W] [X] [Y] [Z] 6-22-06 ECN 50444
.250 WAS .281, .385 WAS .390, .065 WAS .070	
***** * REVISION NUMBER FOLLOWED BY AN ALPHA * * CHARACTER INDICATES DRAWING CLARIFI- * CATION OR PART NUMBER ADDITION ONLY. * *****	
4a	9-21-06 [P] [S] [R] [P] [A] [B] [D] [J] [W] [K] [L] [M] [N] [O] [P] [Q] [R] [S] [T] [U] [V] [W] [X] [Y] [Z] 12-4-06 ECN 50735
UPDATED VIEWS	
5	11-5-08 [P] [R] [R] [M] [J] [A] [T] [B] [T] [U] [C] [N] 11-10-08 ECN 51709



5:1



CABLE STRIP DIMENSIONS  
4:1

NOTES:

1. SPECIFICATIONS:
- IMPEDANCE: 50 OHMS
  - FREQUENCY RANGE: 0-12.4 GHz
  - VSWR: 1.15+.02F MAX (F IN GHz)
  - WORKING VOLTAGE: 335 VRMS MAX AT SEA LEVEL
  - DIELECTRIC WITHSTANDING VOLTAGE: 1000 VRMS MIN AT SEA LEVEL
  - INSULATION RESISTANCE: 5000 MEGOHM MIN
  - CONTACT RESISTANCE:
    - CENTER CONTACT - INITIAL 4.0 MILLIOHM MAX, AFTER ENVIRONMENTAL 6.0 MILLIOHM MAX
    - OUTER CONDUCTOR - INITIAL 2.0 MILLIOHM MAX AFTER ENVIRONMENTAL NOT APPLICABLE
    - BODY TO CABLE - 0.5 MILLIOHM MAX (GOLD PLATED) 5.0 MILLIOHM MAX (PASSIVATED)
  - CORONA LEVEL: 250 VOLTS MIN AT 70,000 FEET
  - INSERTION LOSS: .15√F (F IN GHz) AT 6 GHz
  - RF LEAKAGE: -60 DB MIN AT 2.5 GHz
  - RF HIGH POTENTIAL WITHSTANDING VOLTAGE: 670 VRMS MIN AT 4 AND 7 MHz

- MECHANICAL:
- ENGAGE/DISENGAGE TORQUE: 2 INCH-POUNDS MAX
  - MATING TORQUE: 7-10 INCH POUNDS
  - COUPLING PROOF TORQUE: 15 INCH-POUNDS MIN
  - COUPLING NUT RETENTION: 60 LBS MIN
  - CONTACT RETENTION: 6 LBS MIN
  - CABLE ACCEPTABILITY: RG 58/U, RG 141/U, RG 303/U
  - CABLE HEX CRIMP SIZE: .213
  - CABLE RETENTION: 40 LBS MIN AXIAL FORCE
  - DURABILITY: 500 CYCLES MIN

- ENVIRONMENTAL:
- (MEETS OR EXCEEDS THE APPLICABLE PARAGRAPH OF MIL-PRF-39012)
  - THERMAL SHOCK: MIL-STD-202, METHOD 107, CONDITION B EXCEPT 85°C HIGH TEMP
  - OPERATING TEMPERATURE: -65 DEG C TO 165 DEG C
  - CORROSION: MIL-STD-202, METHOD 101, CONDITION B
  - SHOCK: MIL-STD-202, METHOD 213, CONDITION I
  - VIBRATION: MIL-STD-202, METHOD 204, CONDITION D
  - MOISTURE RESISTANCE: MIL-STD-202, METHOD 106

CUSTOMER DRAWING

THIS DRAWING TO BE INTERPRETED  
PER ASME Y 14.5M - 1994

"μ STATION"

COMPANY CONFIDENTIAL

TOLERANCE UNLESS OTHERWISE SPECIFIED	DRAWN BY <b>EJ</b>	DATE 10-24-89		Cinch Connectivity Solutions P.O. Box 1732 Waseca, MN 56093 1-800-247-8256
DECIMALS _____ mm _____	CHECKED BY	DATE		
.XX _____	APPROVED BY RJB	DATE 5-4-90	TITLE PLUG ASSEMBLY, RA SMA, RG-58	
.XXX ±.003 _____	RELEASE DATE 5-11-90	SHEET 2 OF 2	DRAWING NO. C - 141-0407-101/110	
MATL _____	U/M INCH	SCALE 10:1		
FINISH _____				