



Chipsmall Limited consists of a professional team with an average of over 10 year of expertise in the distribution of electronic components. Based in Hongkong, we have already established firm and mutual-benefit business relationships with customers from,Europe,America and south Asia,supplying obsolete and hard-to-find components to meet their specific needs.

With the principle of "Quality Parts,Customers Priority,Honest Operation,and Considerate Service",our business mainly focus on the distribution of electronic components. Line cards we deal with include Microchip,ALPS,ROHM,Xilinx,Pulse,ON,Everlight and Freescale. Main products comprise IC,Modules,Potentiometer,IC Socket,Relay,Connector.Our parts cover such applications as commercial,industrial, and automotives areas.

We are looking forward to setting up business relationship with you and hope to provide you with the best service and solution. Let us make a better world for our industry!



Contact us

Tel: +86-755-8981 8866 Fax: +86-755-8427 6832

Email & Skype: info@chipsmall.com Web: www.chipsmall.com

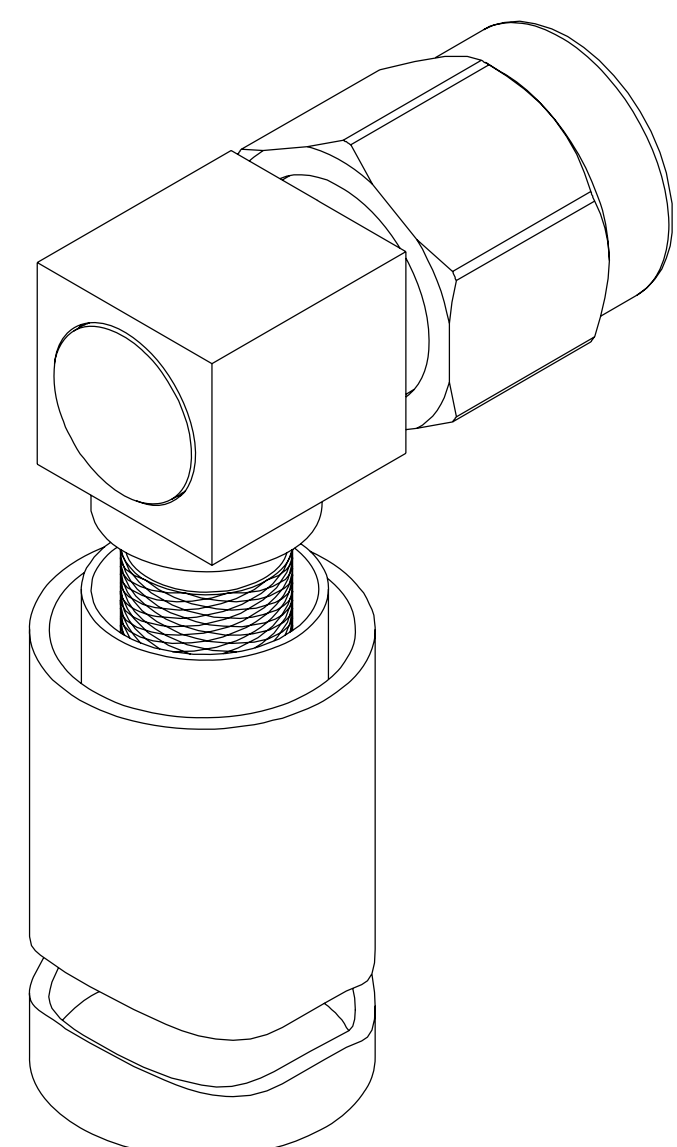
Address: A1208, Overseas Decoration Building, #122 Zhenhua RD., Futian, Shenzhen, China



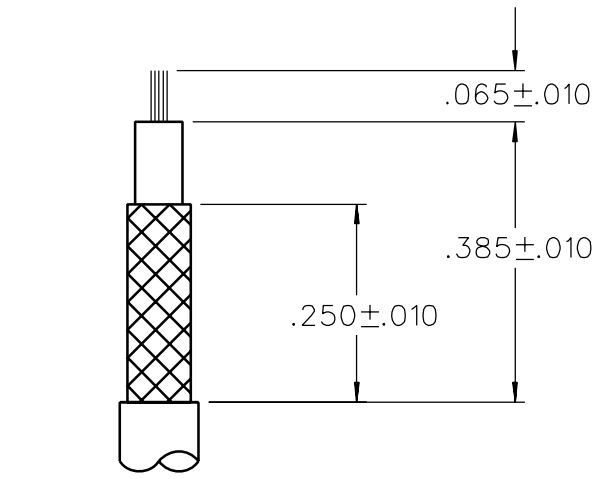
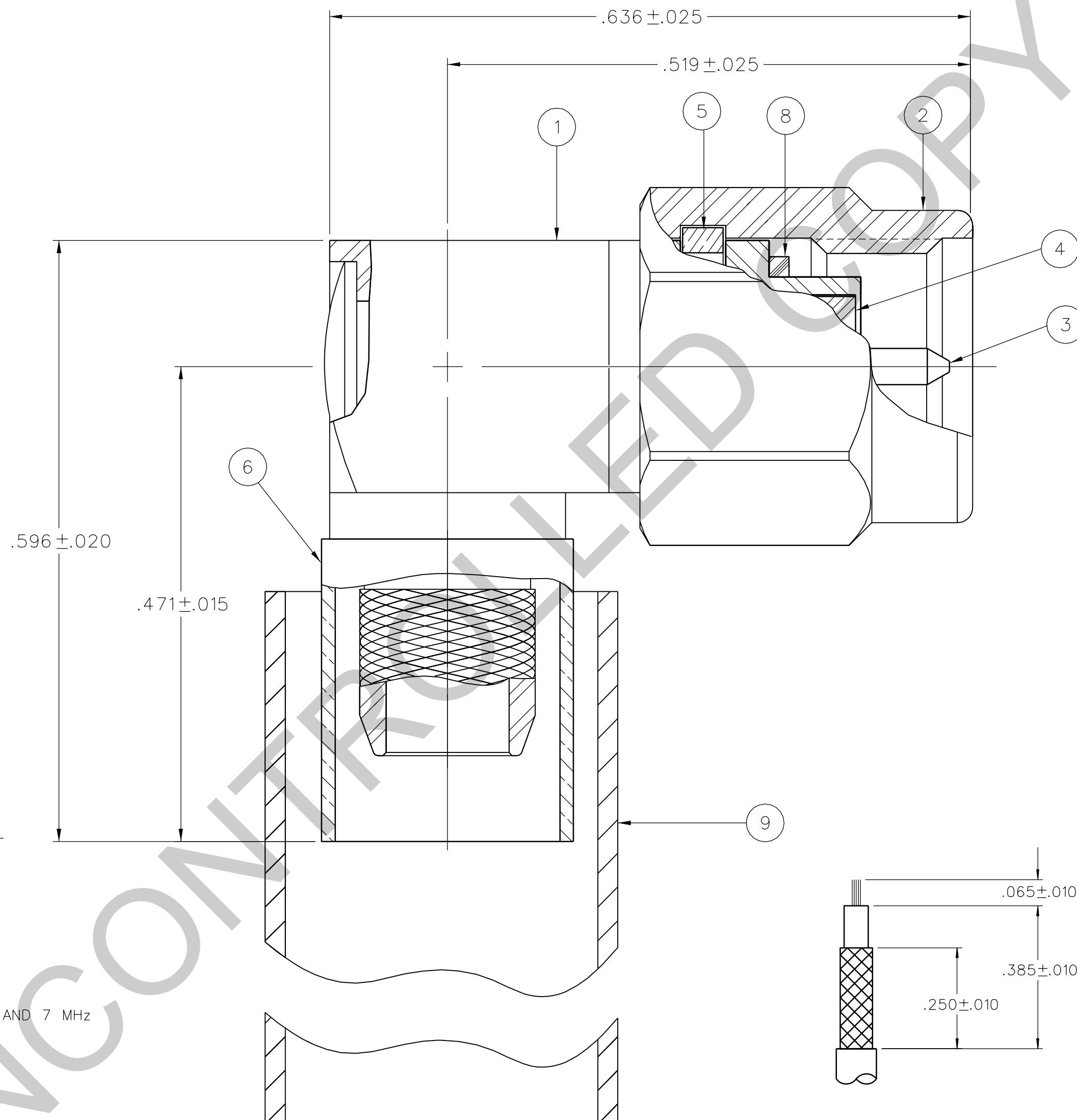
PART NUMBER 141-0408-102	ITEM ① BODY STAINLESS STEEL PASSIVATED	ITEM ② NUT STAINLESS STEEL PASSIVATED	ITEM ③ CONTACT BRASS GOLD PL .00005 MIN OVER NICKEL PL .00005 MIN OVER COPPER PL .00005 MIN	ITEM ④ INSULATOR TEFLON	ITEM ⑤ RETENTION SPRING BERYLLIUM COPPER UNPLATED	ITEM ⑥ CRIMP SLEEVE COPPER NICKEL PL .0001 MIN OVER COPPER PL .00005 MIN	ITEM ⑦ END CAP BRASS NICKEL PL .0001 MIN OVER COPPER PL .00005 MIN	ITEM ⑧ GASKET SILICONE	ITEM ⑨ HEAT SHRINK POLYOLEFIN COLOR: BLACK
-----------------------------	---	--	--	-------------------------------	--	--	--	------------------------------	---

DRAWING NO.
C - 141-0408-101/110

0 REVISIONS	
ENGINEERING RELEASE	
01	05-03-90 [E] [R] [A] [J] [B] [W] 5-11-90 ECO 24554
CHANGED: UPDATED THICKWALL BODY INSULATOR AND CONTACT.	
02	03-07-91 [D] [W] [R] [A] [B] [J] [W] 3-13-91 ECO 40035
CHANGED: RF LEAK 2.5 GHz WAS 2 TO 3 GHz, RF HIGH POT 4 AND 7 MHz WAS 5 TO 7.5 MHz	
3	12-2-93 [R] [H] [T] [A] [K] [R] [J] [B] 42067 ECO
.636 WAS .664, .596 WAS .597 .471 WAS .456 REMOVE 141-0408-101	
4	5-9-06 [P] [S] [R] [P] [A] [B] [D] [W] 6-22-06 ECN 50443
.250 WAS .281, .385 WAS .390, .065 WAS .070 ***** * REVISION NUMBER FOLLOWED BY AN ALPHA * * CHARACTER INDICATES DRAWING CLARIFI- * * CATION OR PART NUMBER ADDITION ONLY. * *****	
4a	9-21-06 [P] [S] [T] [A] [B] [D] [K] 12-4-06 ECN 50736



5:1



CABLE STRIP DIMENSIONS
4:1

UPDATED VIEWS	
5	10-23-08 [P] [R] [R] [M] [J] [C] [N] [A] [B] [T] [U] 10-27-08 ECN 51681

CUSTOMER DRAWING
THIS DRAWING TO BE INTERPRETED
PER ASME Y 14.5M - 1994
"μ STATION"
COMPANY CONFIDENTIAL

NOTES:
1. SPECIFICATIONS:
IMPEDANCE: 50 OHMS
FREQUENCY RANGE: 0-12.4 GHz
VSWR: 1.15+.02F MAX (F IN GHz)
WORKING VOLTAGE: 335 VRMS MAX AT SEA LEVEL
DIELECTRIC WITHSTANDING VOLTAGE: 1000 VRMS MIN AT SEA LEVEL
INSULATION RESISTANCE: 5000 MEGOHM MIN
CONTACT RESISTANCE:
CENTER CONTACT - INITIAL 4.0 MILLIOHM MAX, AFTER ENVIRONMENTAL 6.0 MILLIOHM MAX
OUTER CONDUCTOR - INITIAL 2.0 MILLIOHM MAX AFTER ENVIRONMENTAL NOT APPLICABLE
BODY TO CABLE - 0.5 MILLIOHM MAX (GOLD PLATED) 5.0 MILLIOHM MAX (PASSIVATED)
CORONA LEVEL: 250 VOLTS MIN AT 70,000 FEET
INSERTION LOSS: .15√F (F IN GHz) AT 6 GHz
RF LEAKAGE: -60 DB MIN AT 2.5 GHz
RF HIGH POTENTIAL WITHSTANDING VOLTAGE: 670 VRMS MIN AT 4 AND 7 MHz
MECHANICAL:
ENGAGE/DISENGAGE TORQUE: 2 INCH-POUNDS MAX
MATING TORQUE: 7-10 INCH POUNDS
COUPLING PROOF TORQUE: 15 INCH-POUNDS MIN
COUPLING NUT RETENTION: 60 LBS MIN
CONTACT RETENTION: 6 LBS MIN
CABLE ACCEPTABILITY: RG 55/U, RG 142/U, RG 223/U, RG 400/U
CABLE HEX CRIMP SIZE: .213
CABLE RETENTION: 45 LBS MIN AXIAL FORCE
DURABILITY: 500 CYCLES MIN
ENVIRONMENTAL:
(MEETS OR EXCEEDS THE APPLICABLE PARAGRAPH OF MIL-PRF-39012)
THERMAL SHOCK: MIL-STD-202, METHOD 107, CONDITION B EXCEPT 85°C HIGH TEMP
OPERATING TEMPERATURE: -65 DEG C TO 165 DEG C
CORROSION: MIL-STD-202, METHOD 101, CONDITION B
SHOCK: MIL-STD-202, METHOD 213, CONDITION I
VIBRATION: MIL-STD-202, METHOD 204, CONDITION D
MOISTURE RESISTANCE: MIL-STD-202, METHOD 106

TOLERANCE UNLESS OTHERWISE SPECIFIED	DRAWN BY EJ	DATE 10-24-89	<p>Cinch Connectivity Solutions P.O. Box 1732 Waseca, MN 56093 1-800-247-8256</p>
DECIMALS mm .XX _____	CHECKED BY	DATE	
.XXX ±.003 _____	APPROVED BY RJB	DATE 5-4-90	TITLE PLUG ASSEMBLY, RA SMA, RG-142
MATL _____	RELEASE DATE	5-11-90	SHEET 2 OF 2
FINISH _____	U/M INCH	SCALE 10:1	DRAWING NO. C - 141-0408-101/110