



Chipsmall Limited consists of a professional team with an average of over 10 year of expertise in the distribution of electronic components. Based in Hongkong, we have already established firm and mutual-benefit business relationships with customers from,Europe,America and south Asia,supplying obsolete and hard-to-find components to meet their specific needs.

With the principle of “Quality Parts,Customers Priority,Honest Operation,and Considerate Service”,our business mainly focus on the distribution of electronic components. Line cards we deal with include Microchip,ALPS,ROHM,Xilinx,Pulse,ON,Everlight and Freescale. Main products comprise IC,Modules,Potentiometer,IC Socket,Relay,Connector.Our parts cover such applications as commercial,industrial, and automotives areas.

We are looking forward to setting up business relationship with you and hope to provide you with the best service and solution. Let us make a better world for our industry!



Contact us

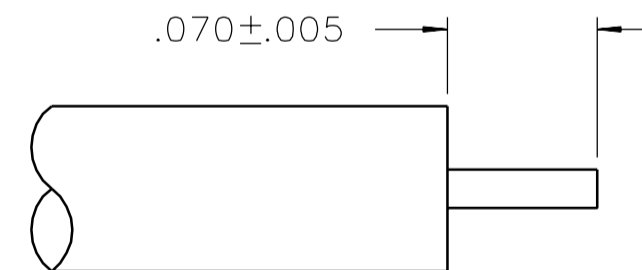
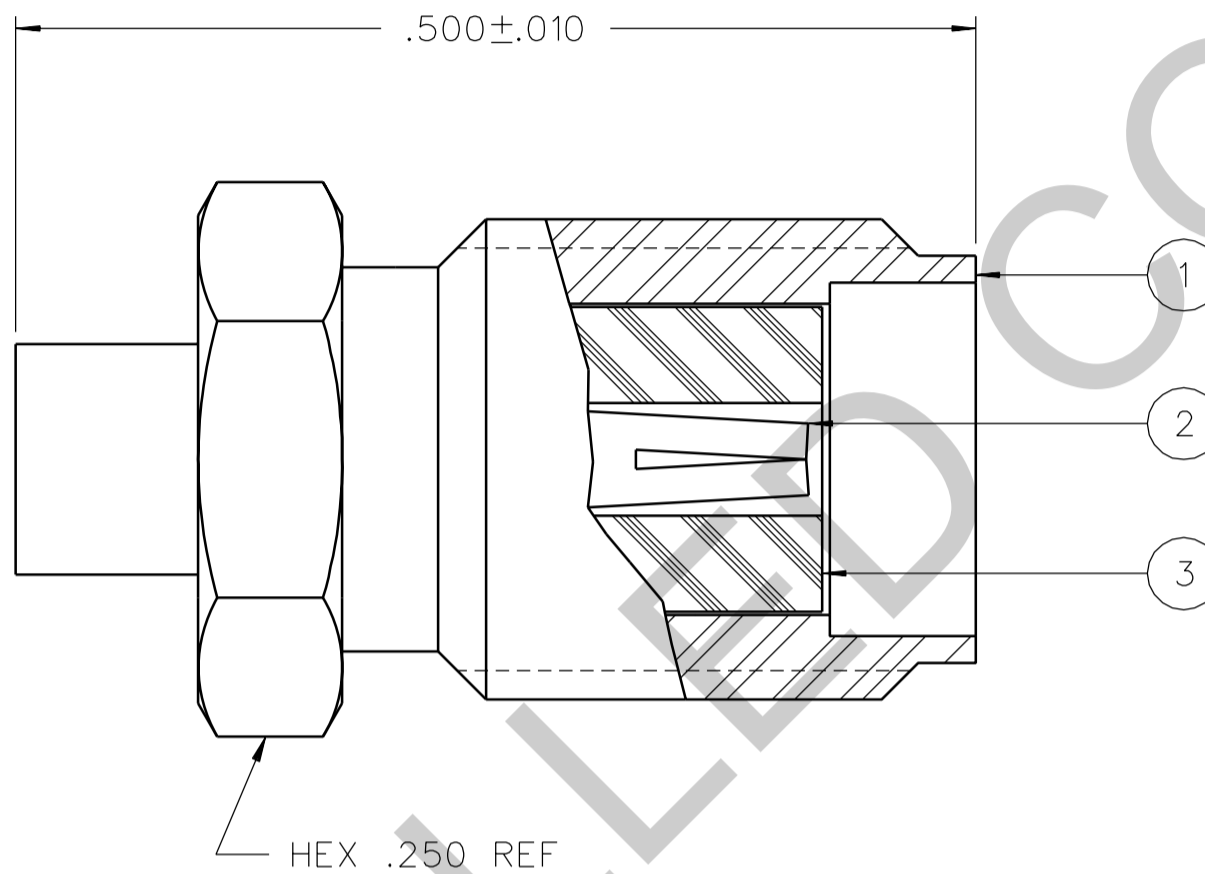
Tel: +86-755-8981 8866 Fax: +86-755-8427 6832

Email & Skype: info@chipsmall.com Web: www.chipsmall.com

Address: A1208, Overseas Decoration Building, #122 Zhenhua RD., Futian, Shenzhen, China



PART NUMBER	ITEM ① BODY	ITEM ② CONTACT	ITEM ③ INSULATOR
141-0593-001	STAINLESS STEEL GOLD PL .00005 MIN OVER NICKEL PL .00005 MIN OVER	BERYLLIUM COPPER GOLD PL .00005 MIN OVER NICKEL PL .00005 MIN OVER COPPER PL .00005 MIN	TEFLON



CABLE STRIP DIMENSIONS

DRAWING NO.		C - 141-0593-001/010	
0		REVISIONS	
ENGINEERING RELEASE			
01	09-18-89	E J L B W	C R A A 10-05-89 ECO 24126
ADDED: 115 C HIGH TEMP TO THERMAL SHOCK SPEC.			
02	06-06-90	E J L B W	6-15-90 ECO 24431
CHANGED: 10 GHZ WAS 9-12.4 GHZ DELETED: .424+-010 ADDED: HEX .312 REF			
03	02-25-91	D B J A W	2-26-91 ECO 24942
DELETED: "COPPER PL .00005 MIN"			
04	08-16-91	D B J B M	8-16-91 ECO 40505
CHANGED: FREQ RANGE 0-26.5 GHZ WAS 0-18.0 GHZ, RF LEAK 2.5 GHZ WAS 2 TO 3 GHZ, RF HIGH POT 4 AND 7 MHZ WAS 5 TO 7.5 MHZ, UPDATED GRAPHICS			
5	3-15-94	R H S W T R P A	4-5-94 ECO 42354
VERSION UPDATE ***** * REVISION NUMBER FOLLOWED BY AN ALPHA * * CHARACTER INDICATES DRAWING CLARIFI- * * CATION OR PART NUMBER ADDITION ONLY. * *****			
5a	1-31-95	R H J B	ECN 43175
GRAPHICS & VERSION UPDATE			
6	12-15-05	P A T S B D W	5-12-06 ECN 50067

CUSTOMER DRAWING

THIS DRAWING TO BE INTERPRETED PER ASME Y 14.5M - 1994

"μSTATION"

COMPANY CONFIDENTIAL

NOTES:

1. SPECIFICATIONS:


IMPEDANCE: 50 OHMS
 FREQUENCY RANGE: 0-26.5 GHZ
 VSWR: 1.07+.008F MAX (F IN GHZ) (0-18 GHZ), 1.35 MAX (18-26.5 GHZ)
 WORKING VOLTAGE: 335 VRMS MAX AT SEA LEVEL
 DIELECTRIC WITHSTANDING VOLTAGE: 1000 VRMS MIN AT SEA LEVEL
 INSULATION RESISTANCE: 5000 MEGOHM MIN
 CONTACT RESISTANCE:
 CENTER CONTACT - INITIAL 3.0 MILLIOHM MAX, AFTER ENVIRONMENTAL 4.0 MILLIOHM MAX
 OUTER CONDUCTOR - INITIAL 2.0 MILLIOHM MAX AFTER ENVIRONMENTAL NOT APPLICABLE
 BODY TO CABLE - 0.5 MILLIOHM MAX
 CORONA LEVEL: 250 VOLTS MIN AT 70,000 FEET
 INSERTION LOSS: .03√F (F IN GHZ) AT 10 GHZ
 RF LEAKAGE: -90 DB MIN AT 2.5 GHZ
 RF HIGH POTENTIAL WITHSTANDING VOLTAGE: 670 VRMS MIN AT 4 AND 7 MHZ

MECHANICAL:

ENGAGE/DISENGAGE TORQUE: 2 IN-LBS MAX
 MATING TORQUE: 7-10 IN-LBS
 COUPLING PROOF TORQUE: NOT APPLICABLE
 COUPLING NUT RETENTION: NOT APPLICABLE
 CONTACT RETENTION: NOT APPLICABLE
 CABLE ACCEPTABILITY: RG 405 DIA .086 SEMIRIGID
 CABLE HEX CRIMP SIZE: NOT APPLICABLE
 CABLE RETENTION: 30 LBS MIN AXIAL FORCE
 16 INCH-OUNCE MIN TORQUE
 DURABILITY: 500 CYCLES MIN

ENVIRONMENTAL:

(MEETS OR EXCEEDS THE APPLICABLE PARAGRAPH OF MIL-PRF-39012)
 THERMAL SHOCK: MIL-STD-202, METHOD 107, CONDITION B, EXCEPT 115°C HIGH TEMP
 OPERATING TEMPERATURE: -65°C TO 165°C
 CORROSION: MIL-STD-202, METHOD 101, CONDITION B
 SHOCK: MIL-STD-202, METHOD 213, CONDITION I
 VIBRATION: MIL-STD-202, METHOD 204, CONDITION D
 MOISTURE RESISTANCE: MIL-STD-202, METHOD 106

TOLERANCE UNLESS OTHERWISE SPECIFIED	DRAWN BY Bedney	DATE 2-16-89	 Cinch CONNECTIVITY SOLUTIONS a bel group	Cinch Connectivity Solutions P.O. Box 1732 Waseca, MN 56093 1-800-247-8256	
DECIMALS _____ mm _____	CHECKED BY	DATE		TITLE JACK ASSEMBLY STRAIGHT CABLED SMA, RG 405	
.XX _____	APPROVED BY GLD/RJB	DATE 9-28-89	SHEET 2 OF 2		
.XXX _____	RELEASE DATE 10-5-89	SCALE 10:1	DRAWING NO. C - 141-0593-001/010		
MATL _____	U/M	INCH			
FINISH _____					