



Chipsmall Limited consists of a professional team with an average of over 10 year of expertise in the distribution of electronic components. Based in Hongkong, we have already established firm and mutual-benefit business relationships with customers from,Europe,America and south Asia,supplying obsolete and hard-to-find components to meet their specific needs.

With the principle of “Quality Parts,Customers Priority,Honest Operation,and Considerate Service”,our business mainly focus on the distribution of electronic components. Line cards we deal with include Microchip,ALPS,ROHM,Xilinx,Pulse,ON,Everlight and Freescale. Main products comprise IC,Modules,Potentiometer,IC Socket,Relay,Connector.Our parts cover such applications as commercial,industrial, and automotives areas.

We are looking forward to setting up business relationship with you and hope to provide you with the best service and solution. Let us make a better world for our industry!



## Contact us

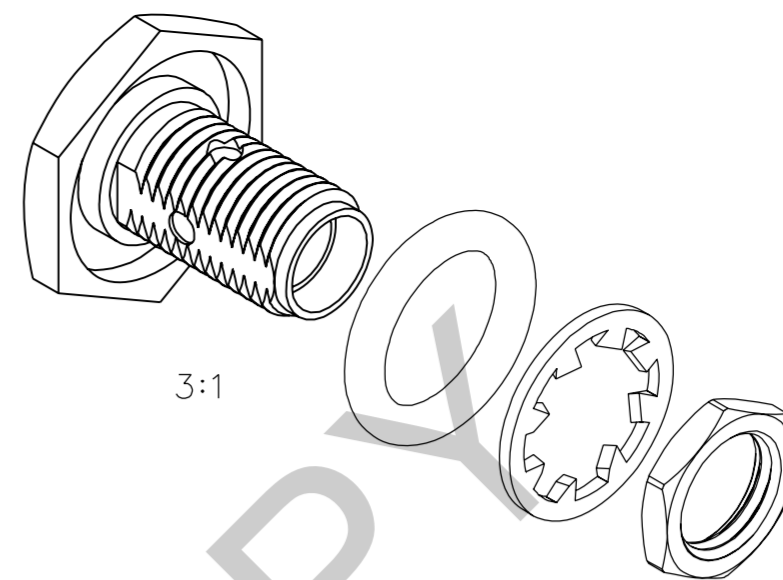
Tel: +86-755-8981 8866 Fax: +86-755-8427 6832

Email & Skype: info@chipsmall.com Web: www.chipsmall.com

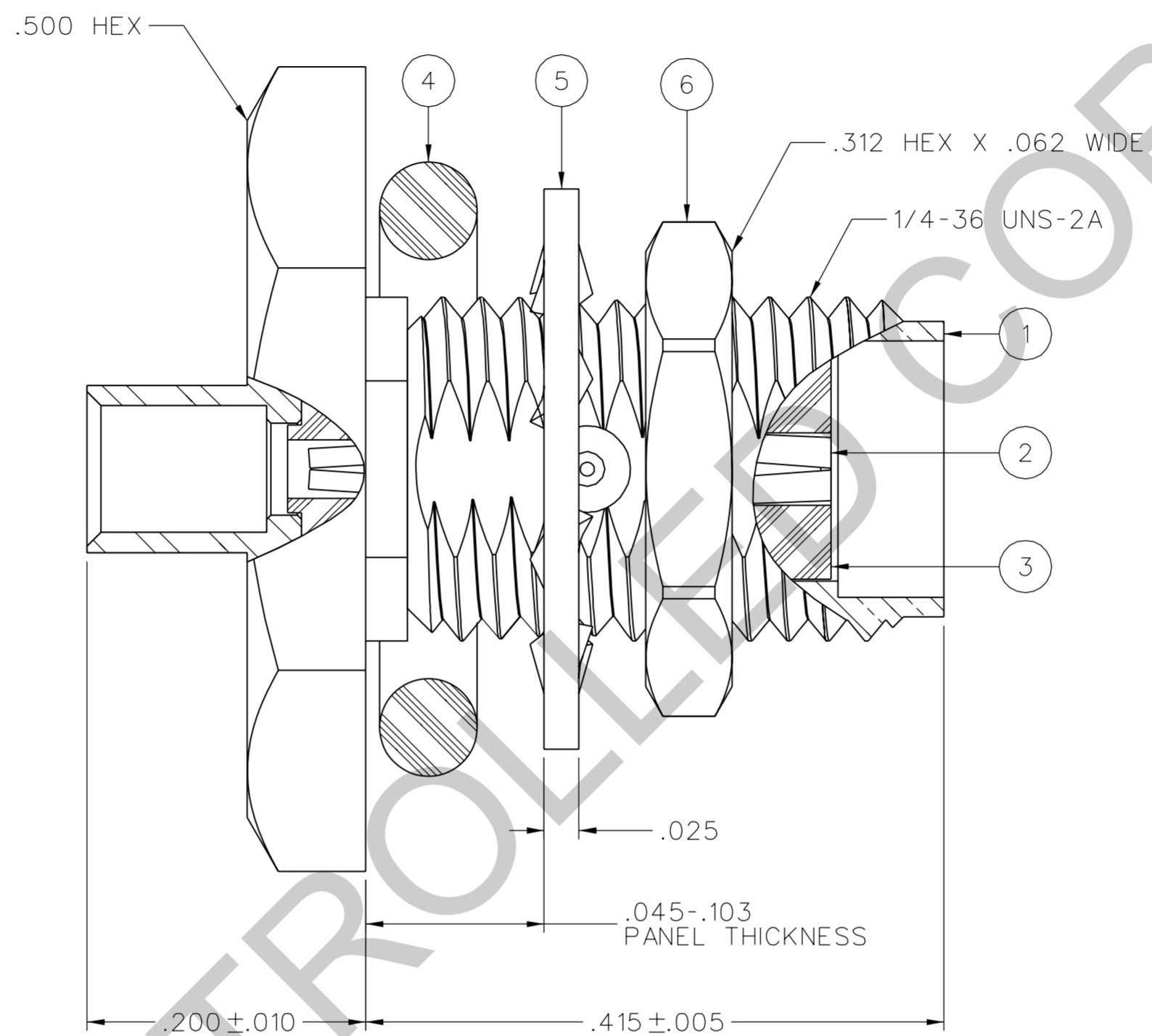
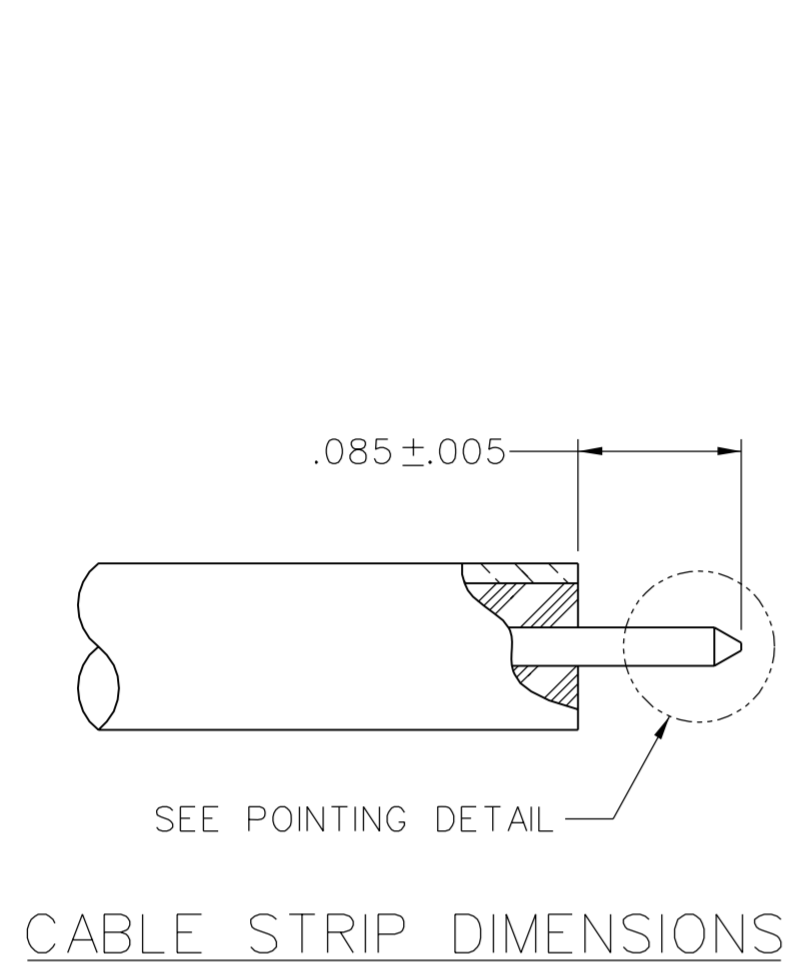
Address: A1208, Overseas Decoration Building, #122 Zhenhua RD., Futian, Shenzhen, China



PART NUMBER 141-0593-421	ITEM ① BODY STAINLESS STEEL GOLD PL .00001 MIN OVER NICKEL PL .00005 MIN OVER	ITEM ② CONTACT BERYLLIUM COPPER GOLD PL .00005 MIN OVER NICKEL PL .00005 MIN OVER COPPER PL .00005 MIN	ITEM ③ INSULATOR TEFLON	ITEM ④ SEAL RING SILICONE RUBBER	ITEM ⑤ LOCK WASHER STAINLESS STEEL GOLD PL .00001 MIN OVER NICKEL PL .00005 MIN OVER	ITEM ⑥ NUT STAINLESS STEEL GOLD PL .00001 MIN OVER NICKEL PL .00005 MIN OVER
-----------------------------	---	---	-------------------------------	---	--	--



DRAWING NO. C - 141-0593-421/430	
0 REVISIONS	
ENGINEERING RELEASE	
1	12-20-05 P A T S B D W 5-12-06 ECN 50109



NOTES:

1. SPECIFICATIONS:

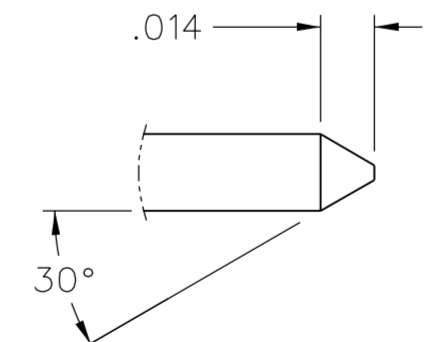
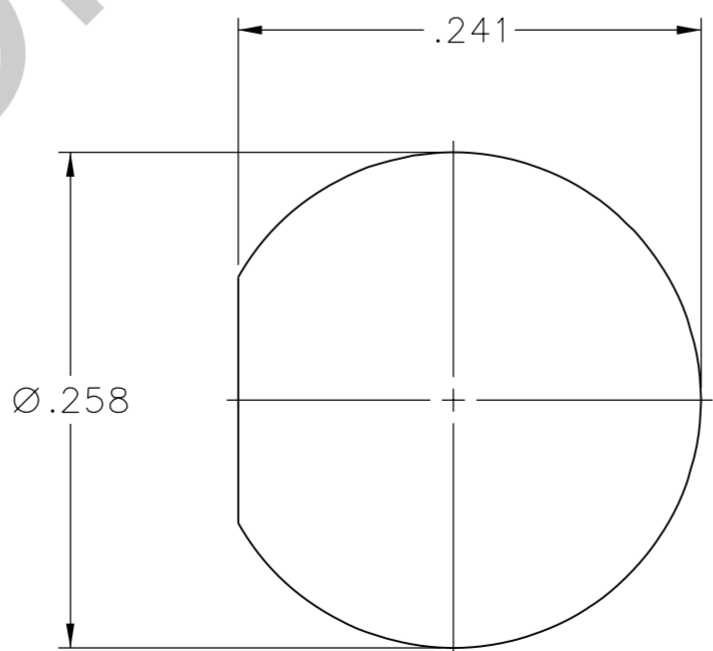
IMPEDANCE: 50 OHMS  
 FREQUENCY RANGE: 0-25 GHZ  
 VSWR: 1.07+.01F(GHZ) MAX AT 0-18 GHZ, TYPICALLY < 1.30 AT 18-25 GHZ  
 WORKING VOLTAGE: 335 VRMS MAX AT SEA LEVEL  
 DIELECTRIC WITHSTANDING VOLTAGE: 1000 VRMS MIN AT SEA LEVEL  
 INSULATION RESISTANCE: 5000 MEGOHM MIN  
 CONTACT RESISTANCE:  
 CENTER CONTACT - INITIAL 5.0 MILLIOHM MAX, AFTER ENVIRONMENTAL 8.0 MILLIOHM MAX  
 OUTER CONDUCTOR - INITIAL 2.0 MILLIOHM MAX, AFTER ENVIRONMENTAL NOT APPLICABLE  
 BODY TO CABLE - 0.5 MILLIOHM MAX  
 CORONA LEVEL: 250 VOLTS MIN AT 70,000 FEET  
 INSERTION LOSS: .03√F (F IN GHZ), TESTED AT 10 GHZ  
 RF LEAKAGE: -90 DB MIN AT 2 TO 3 GHZ  
 RF HIGH POTENTIAL WITHSTANDING VOLTAGE: 670 VRMS AT 4 AND 7 MHZ

MECHANICAL:

ENGAGE/DISENGAGE TORQUE: 2 IN-LBS MAX  
 MATING TORQUE: 7-10 IN-LBS  
 COUPLING PROOF TORQUE: NOT APPLICABLE  
 COUPLING NUT RETENTION: NOT APPLICABLE  
 CONTACT RETENTION: 6 LBS MIN AXIAL FORCE  
 CABLE ACCEPTABILITY: RG-405, .086 OD SEMIRIGID  
 CABLE HEX CRIMP SIZE: NOT APPLICABLE  
 CABLE RETENTION: 30 LBS MIN AXIAL FORCE  
 16 INCH-OUNCE MIN TORQUE  
 DURABILITY: 500 CYCLES MIN

ENVIRONMENTAL:

(MEETS OR EXCEEDS THE APPLICABLE PARAGRAPH OF MIL-PRF-39012)  
 THERMAL SHOCK: MIL-STD-202, METHOD 107, CONDITION B, EXCEPT 115°C HIGH TEMP  
 OPERATING TEMPERATURE: -65°C TO 165°C  
 CORROSION: MIL-STD-202, METHOD 101, CONDITION B  
 SHOCK: MIL-STD-202, METHOD 213, CONDITION I  
 VIBRATION: MIL-STD-202, METHOD 204, CONDITION D  
 MOISTURE RESISTANCE: MIL-STD-202, METHOD 106



TOLERANCE UNLESS OTHERWISE SPECIFIED		DRAWN BY SBD	DATE 12-13-05
DECIMALS	mm	CHECKED BY PDW	DATE 5-12-06
.XX	—	APPROVED BY SBD	DATE 5-12-06
.XXX	REF	RELEASE DATE	5-12-06
MATL	—	U/M	INCH
FINISH	—	SCALE	10:1

Cinch Connectivity Solutions  
 P.O. Box 1732  
 Waseca, MN 56093  
 1-800-247-8256

TITLE  
SMA BKHD JACK ASSY  
ONE PIECE CONNECTOR,  
RG-405, .086 SEMI-RIGID

SHEET 2 OF 2  
DRAWING NO.  
C - 141-0593-421/430

CUSTOMER DRAWING

THIS DRAWING TO BE INTERPRETED PER ASME Y 14.5M - 1994

"μSTATION"

COMPANY CONFIDENTIAL