



Chipsmall Limited consists of a professional team with an average of over 10 year of expertise in the distribution of electronic components. Based in Hongkong, we have already established firm and mutual-benefit business relationships with customers from,Europe,America and south Asia,supplying obsolete and hard-to-find components to meet their specific needs.

With the principle of “Quality Parts,Customers Priority,Honest Operation,and Considerate Service”,our business mainly focus on the distribution of electronic components. Line cards we deal with include Microchip,ALPS,ROHM,Xilinx,Pulse,ON,Everlight and Freescale. Main products comprise IC,Modules,Potentiometer,IC Socket,Relay,Connector.Our parts cover such applications as commercial,industrial, and automotives areas.

We are looking forward to setting up business relationship with you and hope to provide you with the best service and solution. Let us make a better world for our industry!



## Contact us

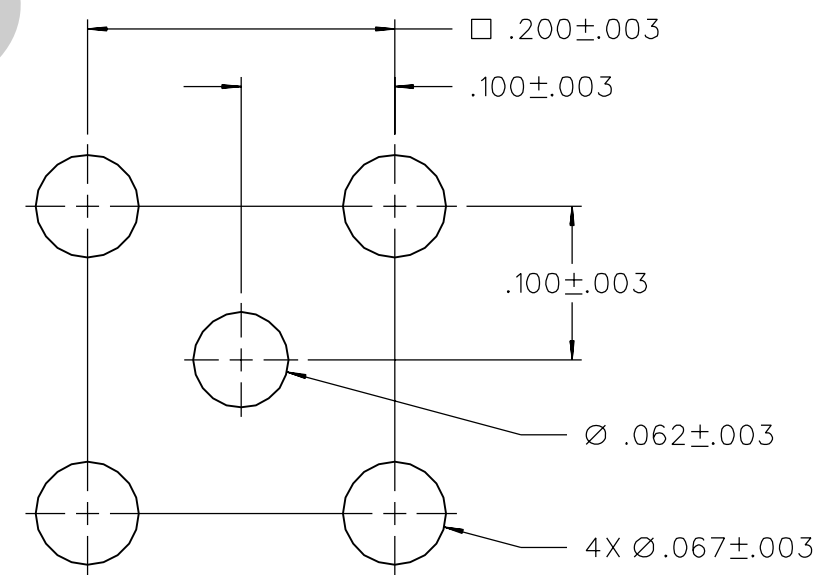
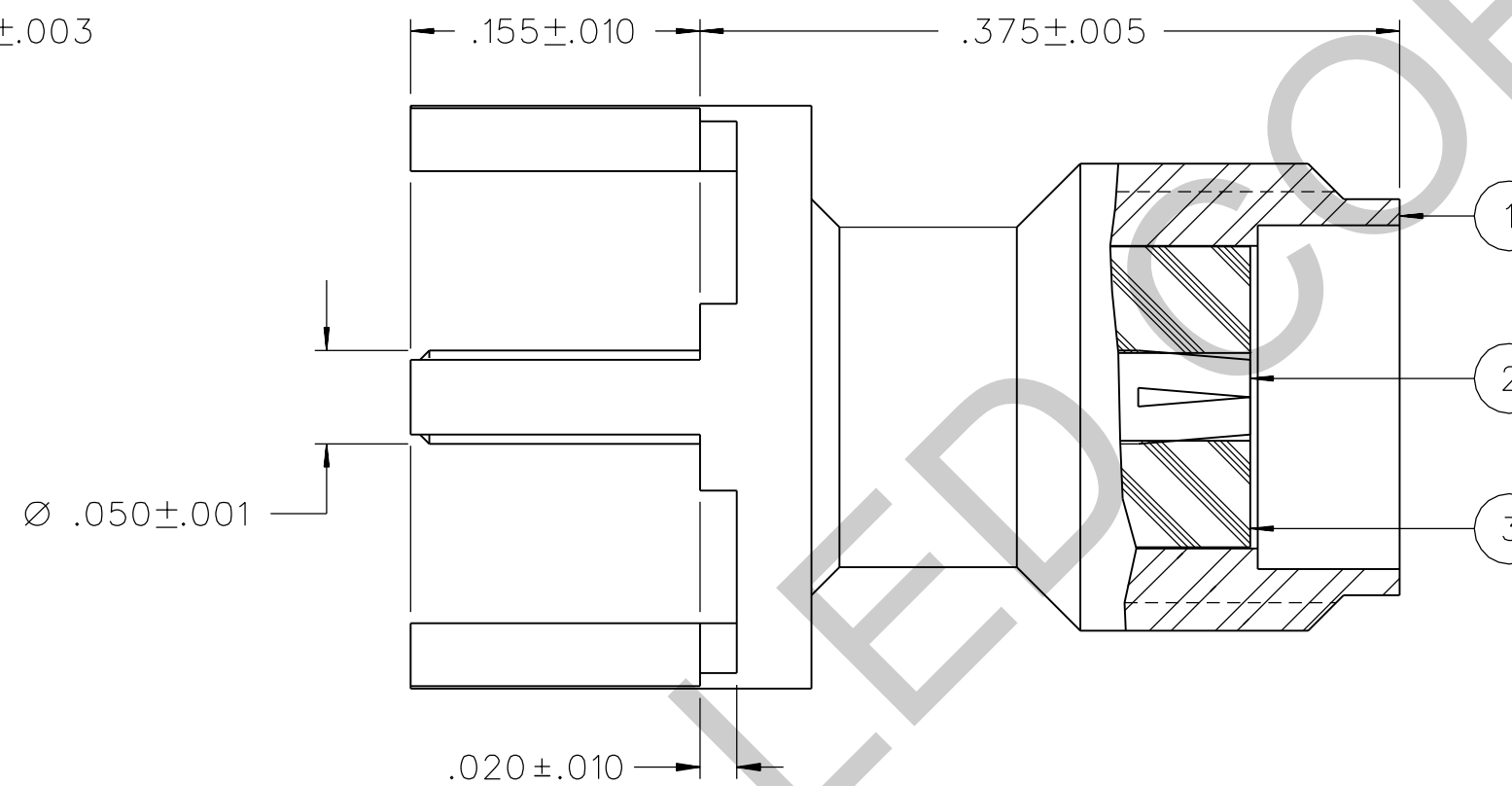
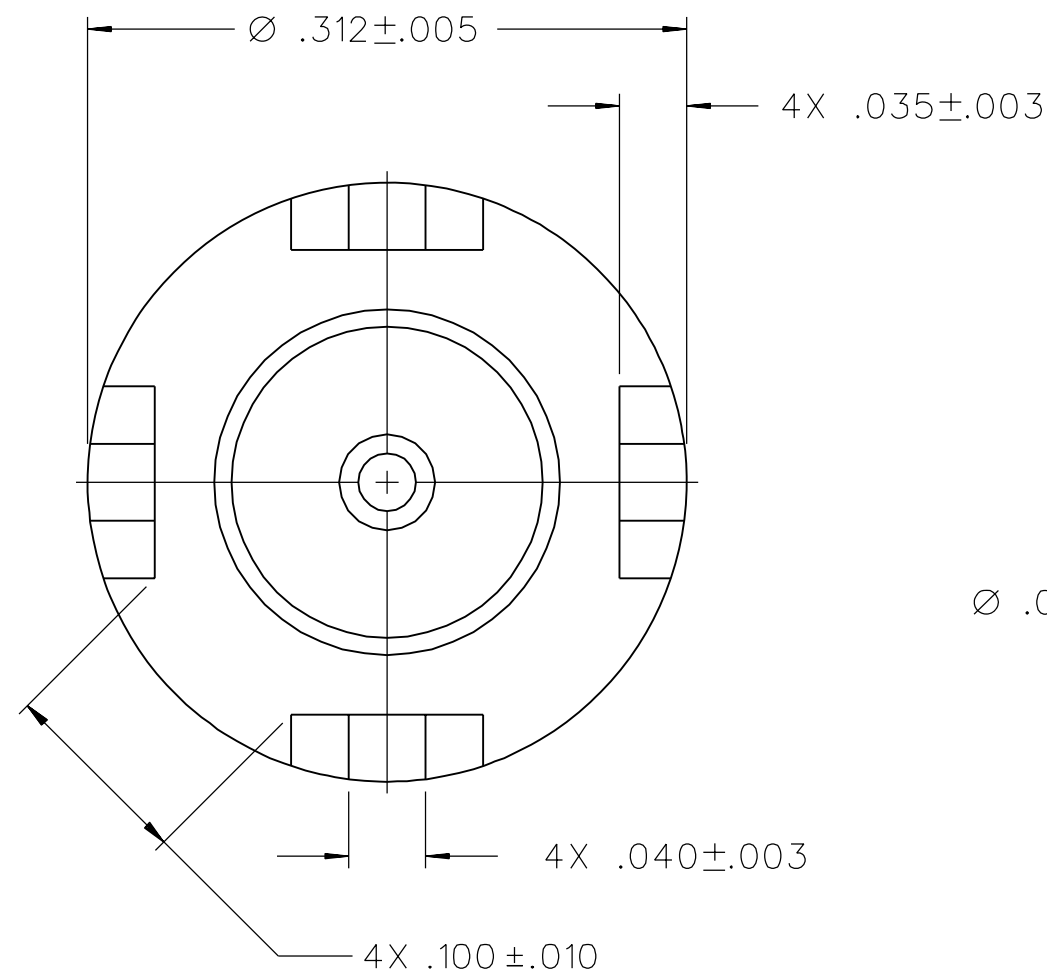
Tel: +86-755-8981 8866 Fax: +86-755-8427 6832

Email & Skype: info@chipsmall.com Web: www.chipsmall.com

Address: A1208, Overseas Decoration Building, #122 Zhenhua RD., Futian, Shenzhen, China



PART NUMBER	ITEM ① BODY	ITEM ② CONTACT	ITEM ③ INSULATOR
141-0701-201	STAINLESS STEEL GOLD PL .00005 MIN OVER NICKEL PL .00005 MIN OVER COPPER PL .00005 MIN	BERYLLIUM COPPER GOLD PL .00005 MIN OVER NICKEL PL .00005 MIN OVER COPPER PL .00005 MIN	TEFLON
141-0701-202	STAINLESS STEEL GOLD PL .00005 MIN OVER NICKEL PL .00005 MIN OVER COPPER PL .00005 MIN	BERYLLIUM COPPER GOLD PL .00005 MIN OVER NICKEL PL .00005 MIN OVER COPPER PL .00005 MIN	TEFZEL



MOUNTING HOLE LAYOUT

8:1

NOTES:

1. SPECIFICATIONS:

IMPEDANCE: 50 OHMS  
 FREQUENCY RANGE: 0-18 GHz  
 VSWR: NOT APPLICABLE  
 WORKING VOLTAGE: 335 VRMS MAX AT SEA LEVEL  
 DIELECTRIC WITHSTANDING VOLTAGE: 1000 VRMS MIN AT SEA LEVEL  
 INSULATION RESISTANCE: 5000 MEGOHM MIN  
 CONTACT RESISTANCE:  
 CENTER CONTACT - INITIAL 3.0 MILLIOHM MAX, AFTER ENVIRONMENTAL 4.0 MILLIOHM MAX  
 OUTER CONDUCTOR - INITIAL 2.0 MILLIOHM MAX AFTER ENVIRONMENTAL NOT APPLICABLE  
 BRAID TO BODY - NOT APPLICABLE  
 CORONA LEVEL: 250 VOLTS MIN AT 70,000 FEET  
 INSERTION LOSS: NOT APPLICABLE  
 RF LEAKAGE: NOT APPLICABLE  
 RF HIGH POTENTIAL WITHSTANDING VOLTAGE: 670 VRMS MIN AT 5 MHz

MECHANICAL:

ENGAGE/DISENGAGE TORQUE: 2 INCH-POUNDS MAX  
 MATING TORQUE: 7-10 INCH POUNDS  
 COUPLING PROOF TORQUE: NOT APPLICABLE  
 COUPLING NUT RETENTION: NOT APPLICABLE  
 CONTACT RETENTION: 6 LBS MIN AXIAL FORCE  
 4 IN-OZ MIN RADIAL TORQUE  
 CABLE ACCEPTABILITY: NOT APPLICABLE  
 CABLE HEX CRIMP SIZE: NOT APPLICABLE  
 CABLE RETENTION: NOT APPLICABLE  
 DURABILITY: 500 CYCLES MIN

ENVIRONMENTAL:

(MEETS OR EXCEEDS THE APPLICABLE PARAGRAPH OF MIL-PRF-39012)  
 THERMAL SHOCK: MIL-STD-202, METHOD 107, CONDITION B  
 OPERATING TEMPERATURE: -65 DEG C TO 165 DEG C  
 CORROSION: MIL-STD-202, METHOD 101, CONDITION B  
 SHOCK: MIL-STD-202, METHOD 213, CONDITION I  
 VIBRATION: MIL-STD-202, METHOD 204, CONDITION D  
 MOISTURE RESISTANCE: MIL-STD-202, METHOD 106


DRAWING NO.		C - 141-0701-201/210	
0 REVISIONS			
ENGINEERING RELEASE			
01	11-01-89	EJ GLD	RJA JBW
		11-21-89 ECO 24206	
CHANGED: .541+- .010 WAS .546+- .015. .375+- .005 WAS .375+- .015.			
02	02-27-90	EJ GLD	RJA JBW
		03-07-90 ECO 24386	
ADDED: EXCEPT 125° HIGH TEMP TO THERMAL SHOCK. DELETED: .541+- .010. CHANGED: 0-18 GHz WAS 0-8.			
03	04-11-90	EJ GLD	RJA JBW
		4-16-90 ECO 24532	
ADDED: .100+- .003 TO MOUNTING HOLE LAYOUT. DELETED: .125° C HIGH TEMP FROM THERMAL SHOCK SPEC. CHANGED: 4X .035+- .003 WAS 4X .035+- .005. 4X .040+- .003 WAS 4X .040+- .005. +- .003 ON DIMS IN MOUNTING HOLE LAYOUT WERE +.000-.005. 5 MHz WAS 5 MHz MIN IN RF HIGH POT SPEC.			
04	05-22-90	EJ GLD	RJA JBW
		6-6-90 ECO 24655	
ADDED: .020+- .010. 4X .100+- .010. CHANGED: UPDATED GRAPHICS.			
5	7-9-90	EJ GLD	RJA JBW
		7-16-90 ECO 24755	
VERSION UPDATE			
6	9-6-90	EJ GLD	RJA JBW
		9-5-90 ECO 24868	
ADDED: P/N 142-0701-202 ***** * REVISION NUMBER FOLLOWED BY AN ALPHA * * CHARACTER INDICATES DRAWING CLARIFICATION OR PART NUMBER ADDITION ONLY. * *****			
6a	5-29-97	RH HJB	RJB JBW
		ECN 44730	
VERSION UPDATE			
7	2-1-06	PS ATD	SRJ PKW
		4-3-06 ECN 50240	

CUSTOMER DRAWING

THIS DRAWING TO BE INTERPRETED PER ASME Y 14.5M - 1994

"μ STATION"

COMPANY CONFIDENTIAL

TOLERANCE UNLESS OTHERWISE SPECIFIED		DRAWN BY	DATE	 Cinch Connectivity Solutions P.O. Box 1732 Waseca, MN 56093 1-800-247-8256
DECIMALS	mm	EJ	9-12-89	
.XX	_____	CHECKED BY	DATE	TITLE JACK ASSEMBLY STRAIGHT PC MOUNT SMA
.XXX ±.003	_____	GLD	11-9-89	
MATL	_____	APPROVED BY	DATE	SHEET 2 OF 2
FINISH	_____	RJB	11-20-89	
		RELEASE DATE	11-21-89	DRAWING NO. C - 141-0701-201/210
		U/M INCH	SCALE 10:1	