



Chipsmall Limited consists of a professional team with an average of over 10 year of expertise in the distribution of electronic components. Based in Hongkong, we have already established firm and mutual-benefit business relationships with customers from,Europe,America and south Asia,supplying obsolete and hard-to-find components to meet their specific needs.

With the principle of “Quality Parts,Customers Priority,Honest Operation,and Considerate Service”,our business mainly focus on the distribution of electronic components. Line cards we deal with include Microchip,ALPS,ROHM,Xilinx,Pulse,ON,Everlight and Freescale. Main products comprise IC,Modules,Potentiometer,IC Socket,Relay,Connector.Our parts cover such applications as commercial,industrial, and automotives areas.

We are looking forward to setting up business relationship with you and hope to provide you with the best service and solution. Let us make a better world for our industry!



Contact us

Tel: +86-755-8981 8866 Fax: +86-755-8427 6832

Email & Skype: info@chipsmall.com Web: www.chipsmall.com

Address: A1208, Overseas Decoration Building, #122 Zhenhua RD., Futian, Shenzhen, China



| PART NUMBER | ITEM ① BODY | ITEM ② CONTACT (ONE PIECE) | ITEM ③ INSULATOR | ITEM ④ INSULATOR |
|--------------|---|--|---------------------|---------------------|
| 141-0701-301 | STAINLESS STEEL GOLD PL .00005 MIN OVER NICKEL PL .00005 MIN OVER | BERYLLIUM COPPER GOLD PL .00005 MIN OVER NICKEL PL .00005 MIN OVER COPPER PL .00005 MIN | TEFLON | TEFLON |

DRAWING NO.
C - 141-0701-301/310

0 REVISIONS

ENGINEERING RELEASE
01 05-21-90 EJ G R A 5-30-90
J B J B A ECO 24648

ADDED: SQ .273+- .010.
DELETED: COPPER PL .00005 MIN.
REVISED FIGURE.

2 3-11-91 M R J A 3-15-91
G B J B W ECO 40138

CHANGED: .375+- .005 WAS 367+- .010

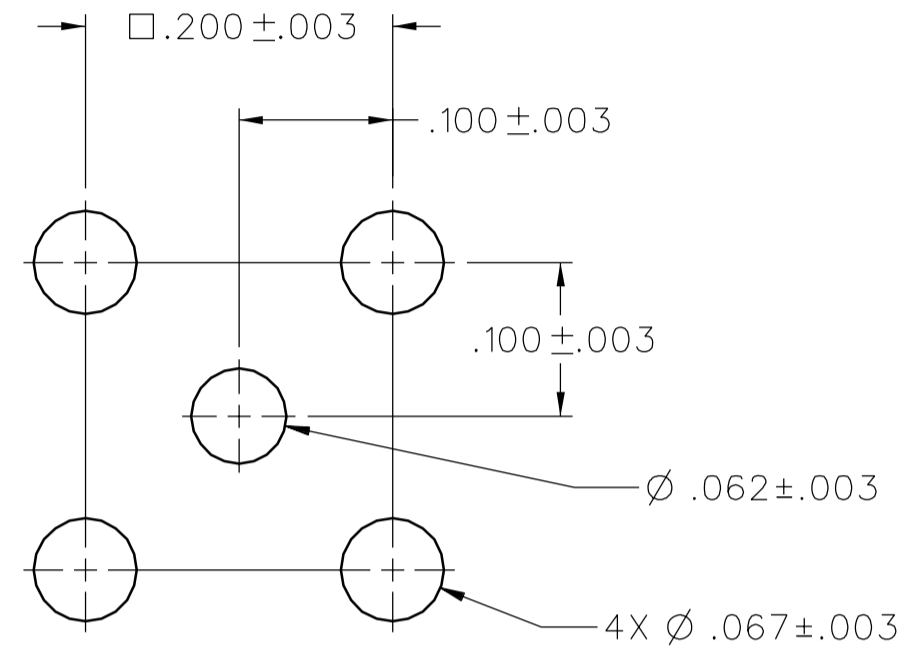
3 4-28-92 R L R H 5-11-92
H S J B E ECO 41008

CHANGED: DRAWING WAS "C" SIZE
SCALE 10:1

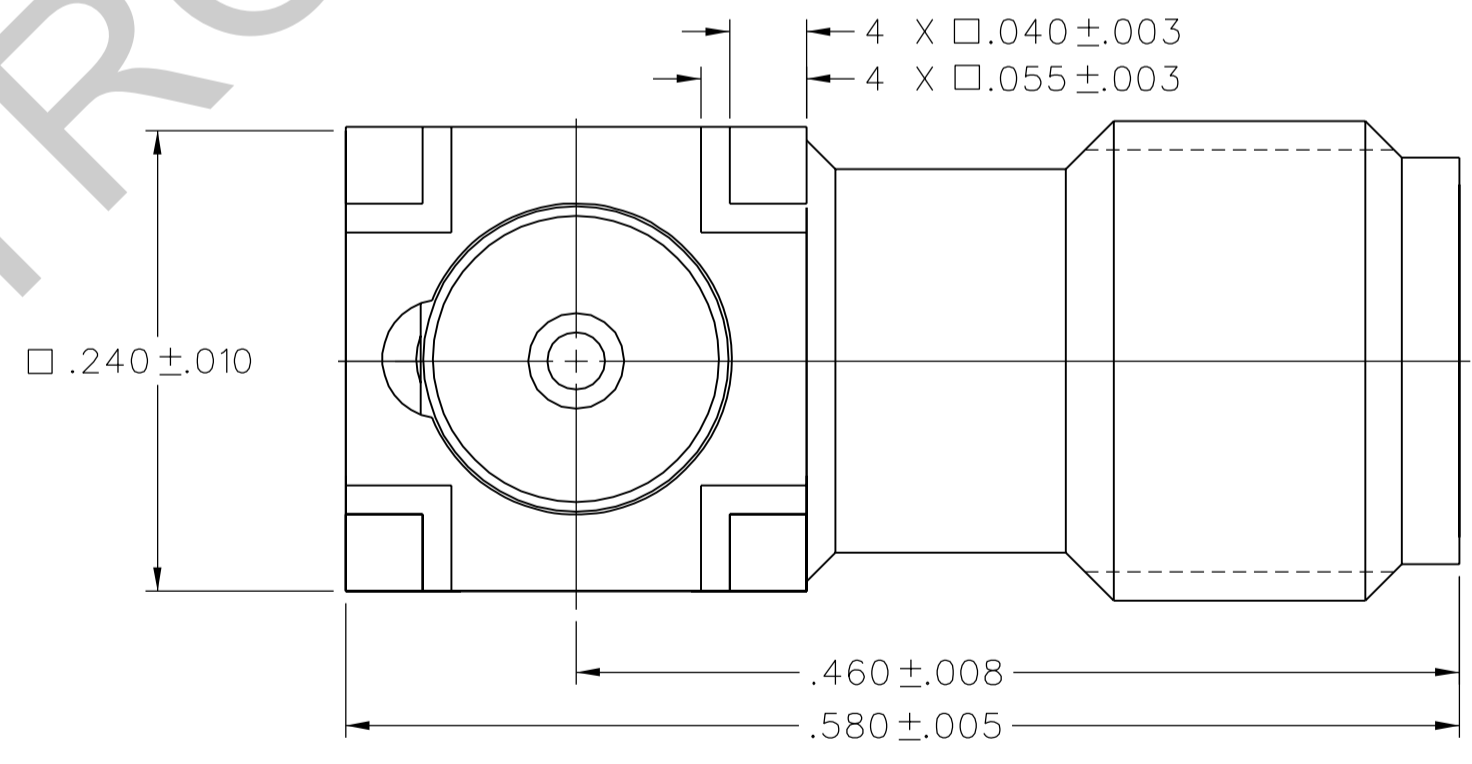
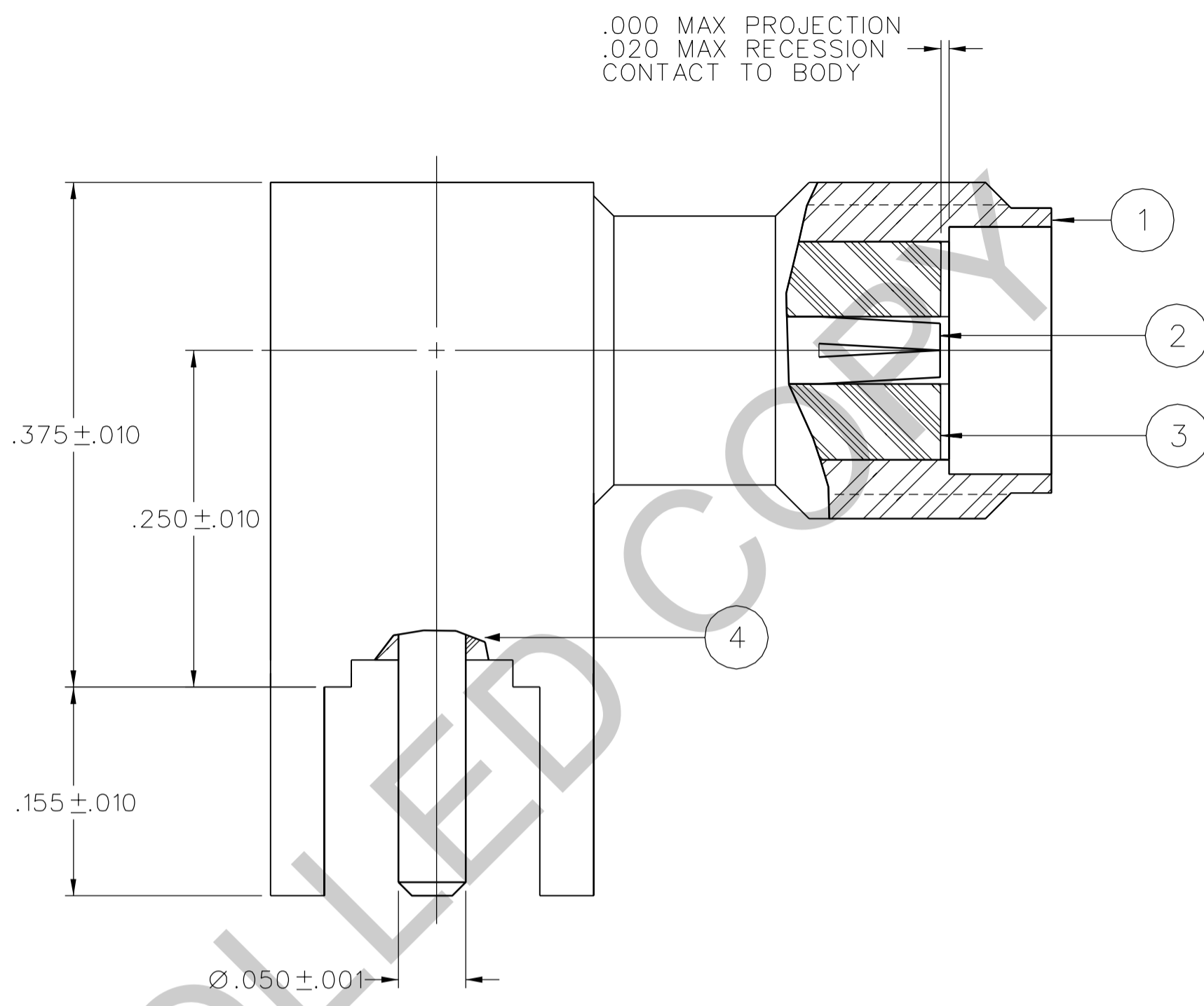
3a 7-24-96 R J R 6-23-06
H N J B W ECN 44108

.50±.005 WAS .595±.005, .460±.008
WAS .458±.008, .240±.010 WAS
.273±.010

4 4-19-06 P S P T 6-23-06
A B D A ECN 50397
T W K



MOUNTING HOLE LAYOUT



NOTES:

1. SPECIFICATIONS:

IMPEDANCE: 50 OHMS
 FREQUENCY RANGE: 0-18 GHZ
 VSWR: NOT APPLICABLE
 WORKING VOLTAGE: 335 VRMS MAX AT SEA LEVEL
 DIELECTRIC WITHSTANDING VOLTAGE: 1000 VRMS MIN AT SEA LEVEL
 INSULATION RESISTANCE: 5000 MEGOHM MIN
 CONTACT RESISTANCE:
 CENTER CONTACT - INITIAL 3.0 MILLIOHM MAX, AFTER ENVIRONMENTAL 4.0 MILLIOHM MAX
 OUTER CONDUCTOR - INITIAL 2.0 MILLIOHM MAX AFTER ENVIRONMENTAL NOT APPLICABLE
 BRAID TO BODY - NOT APPLICABLE
 CORONA LEVEL: 250 VOLTS MIN AT 70,000 FEET
 INSERTION LOSS: NOT APPLICABLE
 RF LEAKAGE: NOT APPLICABLE
 RF HIGH POTENTIAL WITHSTANDING VOLTAGE: 670 VRMS MIN AT 5 MHZ

MECHANICAL:

ENGAGE/DISENGAGE TORQUE: 2 INCH-POUNDS MAX
 MATING TORQUE: 7-10 INCH POUNDS
 COUPLING PROOF TORQUE: NOT APPLICABLE
 COUPLING NUT RETENTION: NOT APPLICABLE
 CONTACT RETENTION: 6 LBS MIN AXIAL FORCE
 CABLE ACCEPTABILITY: NOT APPLICABLE
 CABLE HEX CRIMP SIZE: NOT APPLICABLE
 CABLE RETENTION: NOT APPLICABLE
 DURABILITY: 500 CYCLES MIN

ENVIRONMENTAL:


(MEETS OR EXCEEDS THE APPLICABLE PARAGRAPH OF MIL-PRF-39012)
 THERMAL SHOCK: MIL-STD-202, METHOD 107, CONDITION B
 OPERATING TEMPERATURE: -65 DEG C TO 165 DEG C
 CORROSION: MIL-STD-202, METHOD 101, CONDITION B
 SHOCK: MIL-STD-202, METHOD 213, CONDITION I
 VIBRATION: MIL-STD-202, METHOD 204, CONDITION D
 MOISTURE RESISTANCE: MIL STD 202, METHOD 106

CUSTOMER DRAWING

THIS DRAWING TO BE INTERPRETED
PER ASME Y 14.5M - 1994

"μ STATION"

COMPANY CONFIDENTIAL

| | | | | | |
|--------------------------------------|-------------------------|------------------|---|---|--|
| TOLERANCE UNLESS OTHERWISE SPECIFIED | DRAWN BY <i>EJ</i> | DATE 11-15-02 |  | Cinch Connectivity Solutions P.O. Box 1732 Waseca, MN 56093 1-800-247-8256 | |
| DECIMALS _____ mm _____ | CHECKED BY | DATE | | TITLE JACK ASSEMBLY, RA PC MOUNT SMA | |
| .XXX _____ | APPROVED BY RJB/GLD | DATE 5-22-90 | SHEET 2 OF 2 | DRAWING NO. C - 141-0701-301/310 | |
| MATL _____ | RELEASE DATE 5-30-90 | SCALE 10:1 | | | |
| FINISH _____ | U/M INCH | SCALE 10:1 | | | |