



Chipsmall Limited consists of a professional team with an average of over 10 year of expertise in the distribution of electronic components. Based in Hongkong, we have already established firm and mutual-benefit business relationships with customers from,Europe,America and south Asia,supplying obsolete and hard-to-find components to meet their specific needs.

With the principle of “Quality Parts,Customers Priority,Honest Operation,and Considerate Service”,our business mainly focus on the distribution of electronic components. Line cards we deal with include Microchip,ALPS,ROHM,Xilinx,Pulse,ON,Everlight and Freescale. Main products comprise IC,Modules,Potentiometer,IC Socket,Relay,Connector.Our parts cover such applications as commercial,industrial, and automotives areas.

We are looking forward to setting up business relationship with you and hope to provide you with the best service and solution. Let us make a better world for our industry!



Contact us

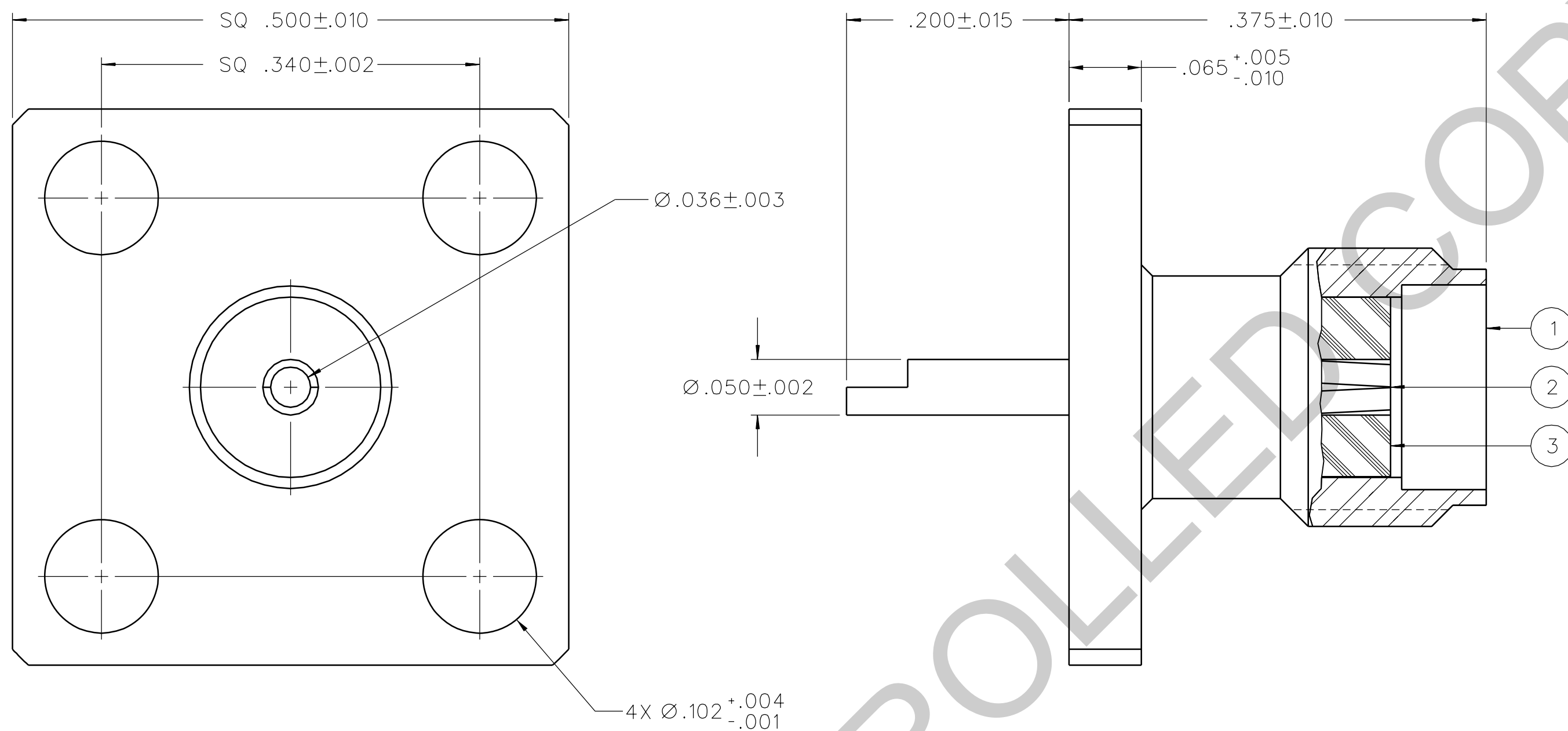
Tel: +86-755-8981 8866 Fax: +86-755-8427 6832

Email & Skype: info@chipsmall.com Web: www.chipsmall.com

Address: A1208, Overseas Decoration Building, #122 Zhenhua RD., Futian, Shenzhen, China



PART NUMBER	ITEM ① BODY	ITEM ② CONTACT	ITEM ③ INSULATOR
141-0701-611	STAINLESS STEEL GOLD PL .00001 MIN OVER NICKEL PL .00005 MIN	BERYLLIUM COPPER GOLD PL .00005 MIN OVER NICKEL PL .00005 MIN OVER COPPER PL .00005 MIN	TEFLON
141-0701-612	STAINLESS STEEL PASSIVATED	BERYLLIUM COPPER GOLD PL .00005 MIN OVER NICKEL PL .00005 MIN OVER COPPER PL .00005 MIN	TEFLON



NOTES:

1. SPECIFICATIONS:

IMPEDANCE: 50 OHMS
 FREQUENCY RANGE: 0-18 GHZ
 VSWR: NOT APPLICABLE
 WORKING VOLTAGE: 335 VRMS MAX AT SEA LEVEL
 DIELECTRIC WITHSTANDING VOLTAGE: 1000 VRMS MIN AT SEA LEVEL
 INSULATION RESISTANCE: 5000 MEGOHM MIN
 CONTACT RESISTANCE:
 CENTER CONTACT - INITIAL 3.0 MILLIOHM MAX, AFTER ENVIRONMENTAL 4.0 MILLIOHM MAX
 OUTER CONDUCTOR - INITIAL 2.0 MILLIOHM MAX AFTER ENVIRONMENTAL NOT APPLICABLE
 BRAID TO BODY - NOT APPLICABLE
 CORONA LEVEL: 250 VOLTS MIN AT 70,000 FEET
 INSERTION LOSS: NOT APPLICABLE
 RF LEAKAGE: NOT APPLICABLE
 RF HIGH POTENTIAL WITHSTANDING VOLTAGE: 670 VRMS MIN AT 4 AND 7 MHZ

MECHANICAL:

ENGAGE/DISENGAGE TORQUE: 2 IN-LBS MAX
 MATING TORQUE: 7-10 IN-LBS
 COUPLING PROOF TORQUE: NOT APPLICABLE
 COUPLING NUT RETENTION: NOT APPLICABLE
 CONTACT RETENTION: 6 LBS MIN AXIAL FORCE
 4 IN-OZ MIN RADIAL TORQUE
 CABLE ACCEPTABILITY: NOT APPLICABLE
 CABLE HEX CRIMP SIZE: NOT APPLICABLE
 CABLE RETENTION: NOT APPLICABLE
 DURABILITY: 500 CYCLES MIN

ENVIRONMENTAL:

(MEETS OR EXCEEDS THE APPLICABLE PARAGRAPH OF MIL-PRF-39012)
 THERMAL SHOCK: MIL-STD-202, METHOD 107, CONDITION B EXCEPT 200° C HIGH TEMP
 OPERATING TEMPERATURE: -65 DEG C TO 165 DEG C
 CORROSION: MIL-STD-202, METHOD 101, CONDITION B
 SHOCK: MIL-STD-202, METHOD 213, CONDITION I
 VIBRATION: MIL-STD-202, METHOD 204, CONDITION D
 MOISTURE RESISTANCE: MIL-STD-202, METHOD 106

DRAWING NO.
C - 141-0701-611/620

0 REVISIONS

ENGINEERING RELEASE

01	01-08-90	EJ	CR	AW	01-12-90
		J	B	W	ECO 24304

ADDED: MOISTURE RESISTANCE SPEC.
 CHANGED: .195±.015 WAS .200±.015
 DIA .036±.005 WAS .025±.003

02	02-27-90	EJ	CR	AW	03-08-90
		J	B	W	ECO 24434

ADDED: 200° C HIGH TEMP TO THERMAL SHOCK SPEC.
 CHANGED: .200±.015 WAS .195±.015
 .065±.000-.010 WAS .065±.010
 .340±.002 WAS .340±.010.
 DIA .036±.003 WAS .036±.005.
 DIA .102±.004-.001 WAS .102±.003.
 FREQUENCY RANGE 0-18 WAS 0-8

03	05-22-90	EJ	CR	AW	6-6-90
		J	B	W	ECO 24657

CHANGED: UPDATED GRAPHICS.

4	7-7-90	EJ	CR	AW	7-16-90
		J	B	W	ECO 24759

CHANGED: DIA .050±.002 WAS DIA .050±.001, RF HIGH POT 4 AND 7 MHZ WAS 5 MHZ

5	3-10-92	RH	JB		ECO 40874
---	---------	----	----	--	-----------

VERSION UPDATE


6	12-29-05	PA	SB	JR	PD	4-3-06
		D	B	K	W	ECN 50145

CUSTOMER DRAWING

THIS DRAWING TO BE INTERPRETED PER ASME Y 14.5M - 1994

"μSTATION"

COMPANY CONFIDENTIAL

TOLERANCE UNLESS OTHERWISE SPECIFIED		DRAWN BY <i>EJ</i>	DATE 8-15-89	 Cinch <small>CONNECTIVITY SOLUTIONS</small> <small>a bel group</small>	Cinch Connectivity Solutions P.O. Box 1732 Waseca, MN 56093 1-800-247-8256	
DECIMALS	mm	CHECKED BY	DATE		TITLE JACK ASSEMBLY, FLANGE MOUNT SMA	
.XX	_____	APPROVED BY RJB/GLD	DATE 1-9-90	SHEET	DRAWING NO. C - 141-0701-611/620	
.XXX	_____	RELEASE DATE	1-12-90	2 OF 2		
MATL	_____	U/M	INCH	SCALE	10:1	
FINISH	_____					