



Chipsmall Limited consists of a professional team with an average of over 10 year of expertise in the distribution of electronic components. Based in Hongkong, we have already established firm and mutual-benefit business relationships with customers from,Europe,America and south Asia,supplying obsolete and hard-to-find components to meet their specific needs.

With the principle of "Quality Parts,Customers Priority,Honest Operation,and Considerate Service",our business mainly focus on the distribution of electronic components. Line cards we deal with include Microchip,ALPS,ROHM,Xilinx,Pulse,ON,Everlight and Freescale. Main products comprise IC,Modules,Potentiometer,IC Socket,Relay,Connector.Our parts cover such applications as commercial,industrial, and automotives areas.

We are looking forward to setting up business relationship with you and hope to provide you with the best service and solution. Let us make a better world for our industry!



## Contact us

Tel: +86-755-8981 8866 Fax: +86-755-8427 6832

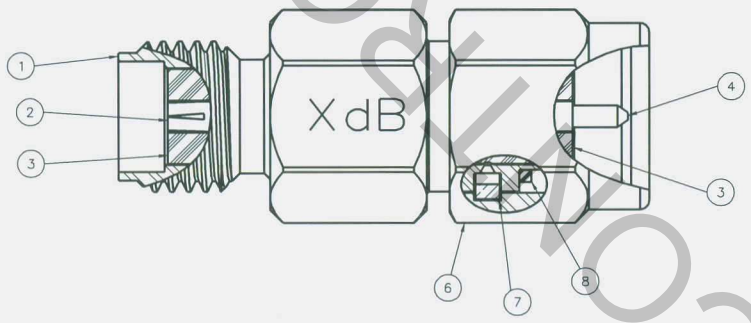
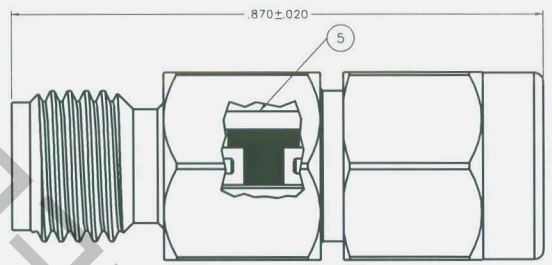
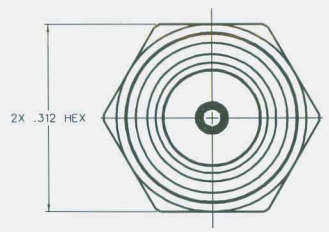
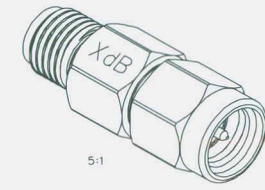
Email & Skype: info@chipsmall.com Web: www.chipsmall.com

Address: A1208, Overseas Decoration Building, #122 Zhenhua RD., Futian, Shenzhen, China



PART NUMBER	ATTENUATION "X" dB	ITEM (1) BODY	ITEM (2) CONTACT JACK	ITEM (3) INSULATOR 2X	ITEM (4) CONTACT PLUG	ITEM (5) ATTENUATOR	ITEM (6) COUPLING NUT	ITEM (7) RETENTION SPRING	ITEM (8) GASKET
141-3901-801	1	STAINLESS STEEL PASSIVATED	BERYLLIUM COPPER GOLD PL. 00003 MIN OVER NICKEL PL. 00005 MIN OVER COPPER PL. 00005 MIN	TEFLON	BRASS GOLD PL. 00003 MIN OVER NICKEL PL. 00005 MIN OVER COPPER PL. 00005 MIN	THIN FILM TANFALON NITRODE ALUMINA SUBSTRATE	STAINLESS STEEL PASSIVATED	BERYLLIUM COPPER UNPLATED	SILICONE RUBBER
141-3901-802	2								
141-3901-803	3								
141-3901-804	4								
141-3901-805	5								
141-3901-806	6								
141-3901-807	7								
141-3901-808	8								
141-3901-809	9								
141-3901-810	10								

*Thick film  
oxide  
(RuO2)*



NOTES:  
1. SPECIFICATIONS

ELECTRICAL:  
IMPEDANCE: 50 OHMS NOMINAL  
FREQUENCY RANGE: 0-6 GHz  
ATTENUATION ACCURACY:

dB	DC-4 GHz	4-6 GHz
1-3	±0.3	±0.5
4-6	±0.4	±0.5
7-10	±0.5	±0.5

VSWR MAX:

dB	DC-2.5 GHz	2.5-4 GHz	4-6 GHz
1-3	1.15:1	1.20:1	1.25:1
4-6	1.15:1	1.20:1	1.25:1
7-10	1.15:1	1.25:1	1.30:1

AVERAGE INPUT POWER: 2W MAX AT +25°C  
DERATED LINEARLY TO 0.5W MAX AT +125°C

MECHANICAL:  
MATING ENGAGEMENT: MIL-STD-348A, SERIES SMA  
ENGAGE/DISENGAGE FORCE: 2 IN-LBS MAX  
MATING TORQUE: 8 IN-LBS MAX  
COUPLING PROOF TORQUE: 15 IN-LBS MIN  
COUPLING NUT RETENTION: 60 LBS MIN  
DURABILITY: 500 CYCLES MIN

ENVIRONMENTAL:  
OPERATING TEMPERATURE: -55°C TO +125°C  
THERMAL SHOCK: MIL-STD-202, METHOD 107, CONDITION B  
(EXCEPT HIGH TEMP +100°C)  
SHOCK: MIL-STD-202, METHOD 215, CONDITION 1  
VIBRATION: MIL-STD-202, METHOD 204, CONDITION D

DRAWING NO.  
D-141-3901-801/810

REV	DATE	DESCRIPTION
0		REVISIONS
ENGINEERING RELEASE		
1	5-23-08	5-27-08

CUSTOMER DRAWING

THIS DRAWING TO BE INTERPRETED  
PER ASME Y 14.5M - 1994

"µSTATION"

TOLERANCE UNLESS OTHERWISE SPECIFIED	DRAWN BY	DATE	cinch CONNECTIVITY SOLUTIONS	Cinch Connectivity Solutions P.O. Box 1132 Waseca, MN 56093 1-800-247-8256
DECIMALS	PAT	5-9-08		
.XX	CHECKED BY	DATE	TITLE	
	RB	5-27-08	SMA 6 GHz ATTENUATOR, PLUG TO JACK HEX BODY	
XXX REF	APPROVED BY	DATE		
	JRK	5-27-08		
MATL	RELEASE DATE	5-27-08	SHEET	DRAWING NO.
	U/W INCH	SCALE 10:1	2 OF 2	D-141-3901-801/810
FINISH				