



Chipsmall Limited consists of a professional team with an average of over 10 year of expertise in the distribution of electronic components. Based in Hongkong, we have already established firm and mutual-benefit business relationships with customers from,Europe,America and south Asia,supplying obsolete and hard-to-find components to meet their specific needs.

With the principle of “Quality Parts,Customers Priority,Honest Operation,and Considerate Service”,our business mainly focus on the distribution of electronic components. Line cards we deal with include Microchip,ALPS,ROHM,Xilinx,Pulse,ON,Everlight and Freescale. Main products comprise IC,Modules,Potentiometer,IC Socket,Relay,Connector.Our parts cover such applications as commercial,industrial, and automotives areas.

We are looking forward to setting up business relationship with you and hope to provide you with the best service and solution. Let us make a better world for our industry!



## Contact us

Tel: +86-755-8981 8866 Fax: +86-755-8427 6832

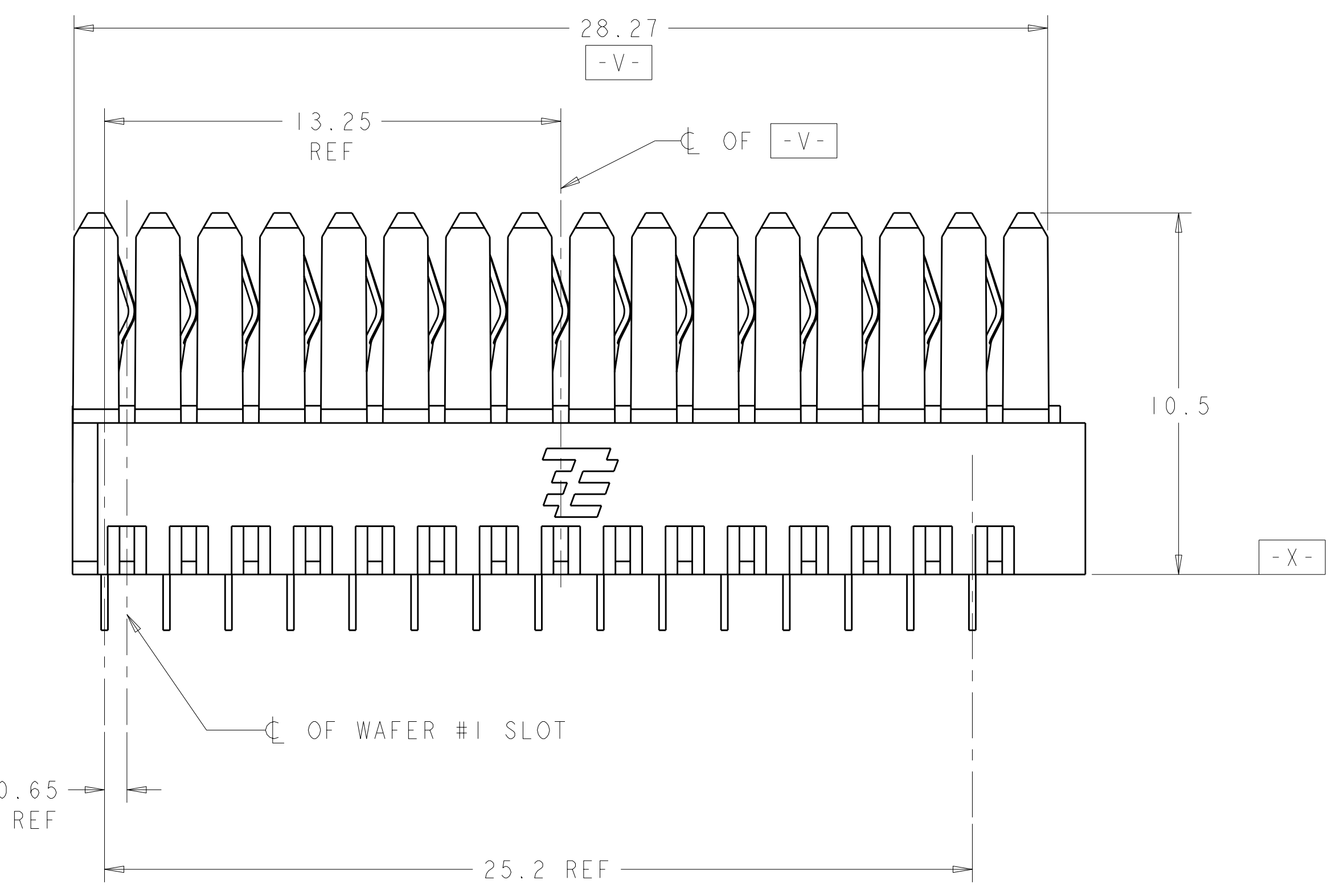
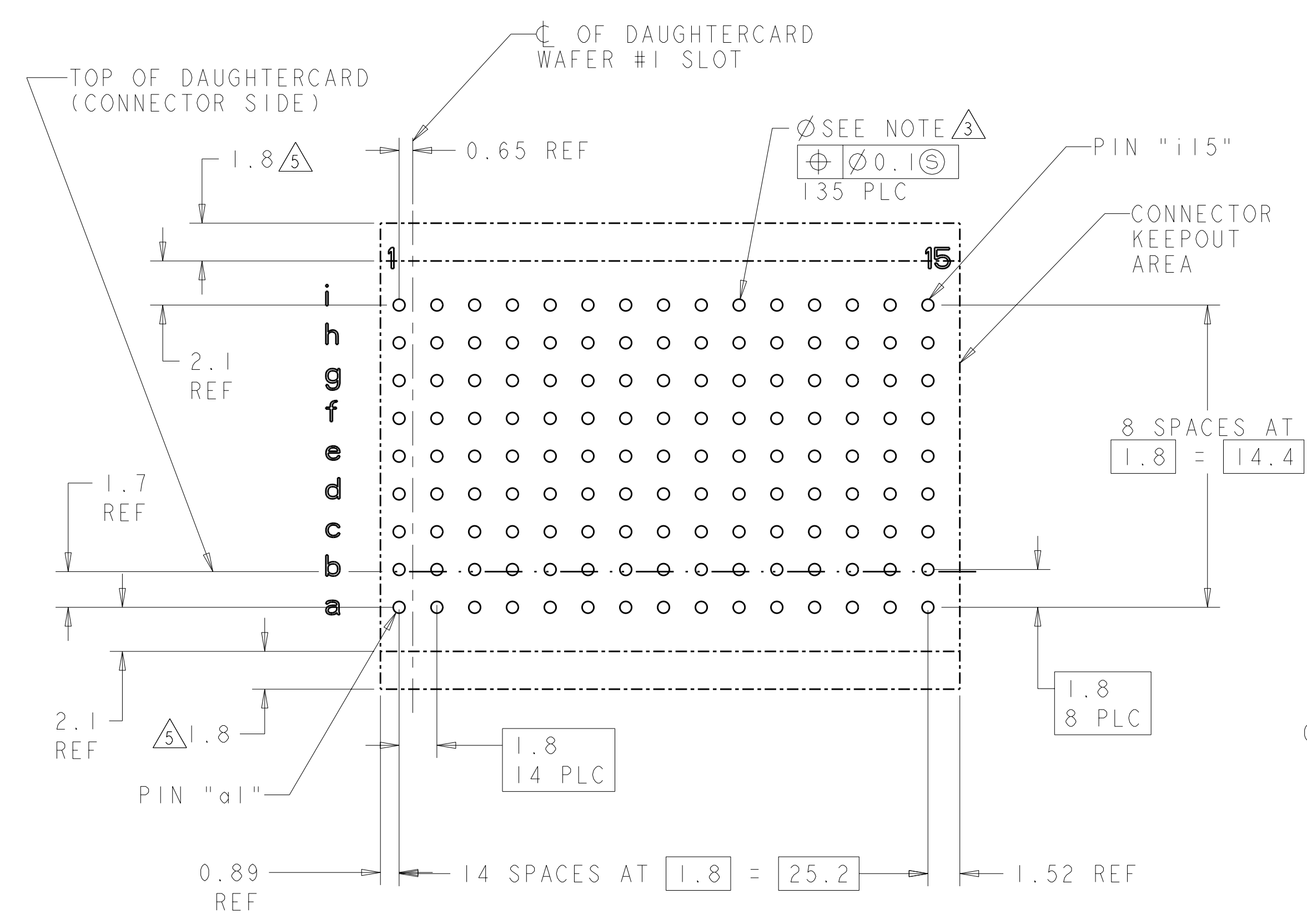
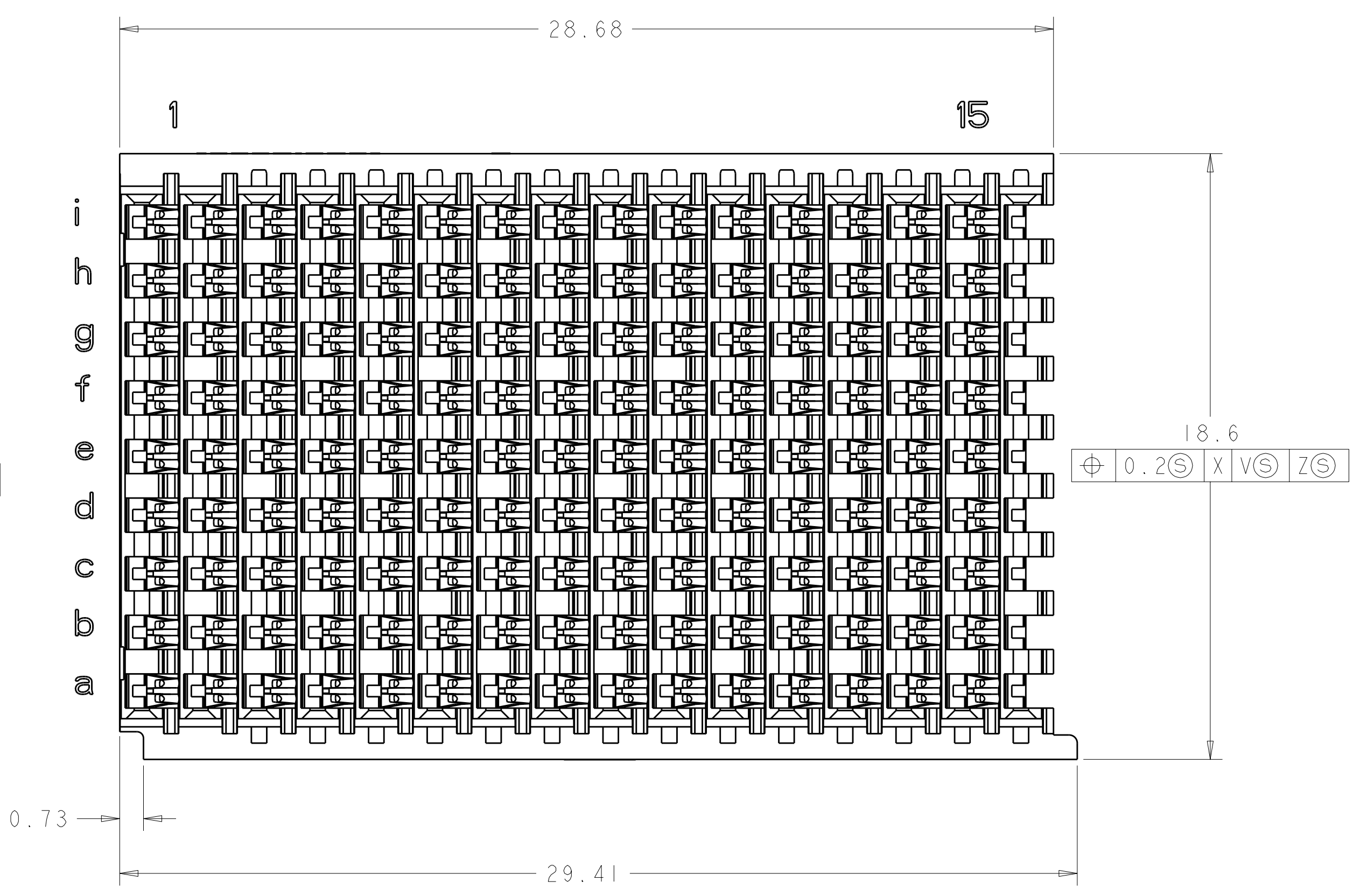
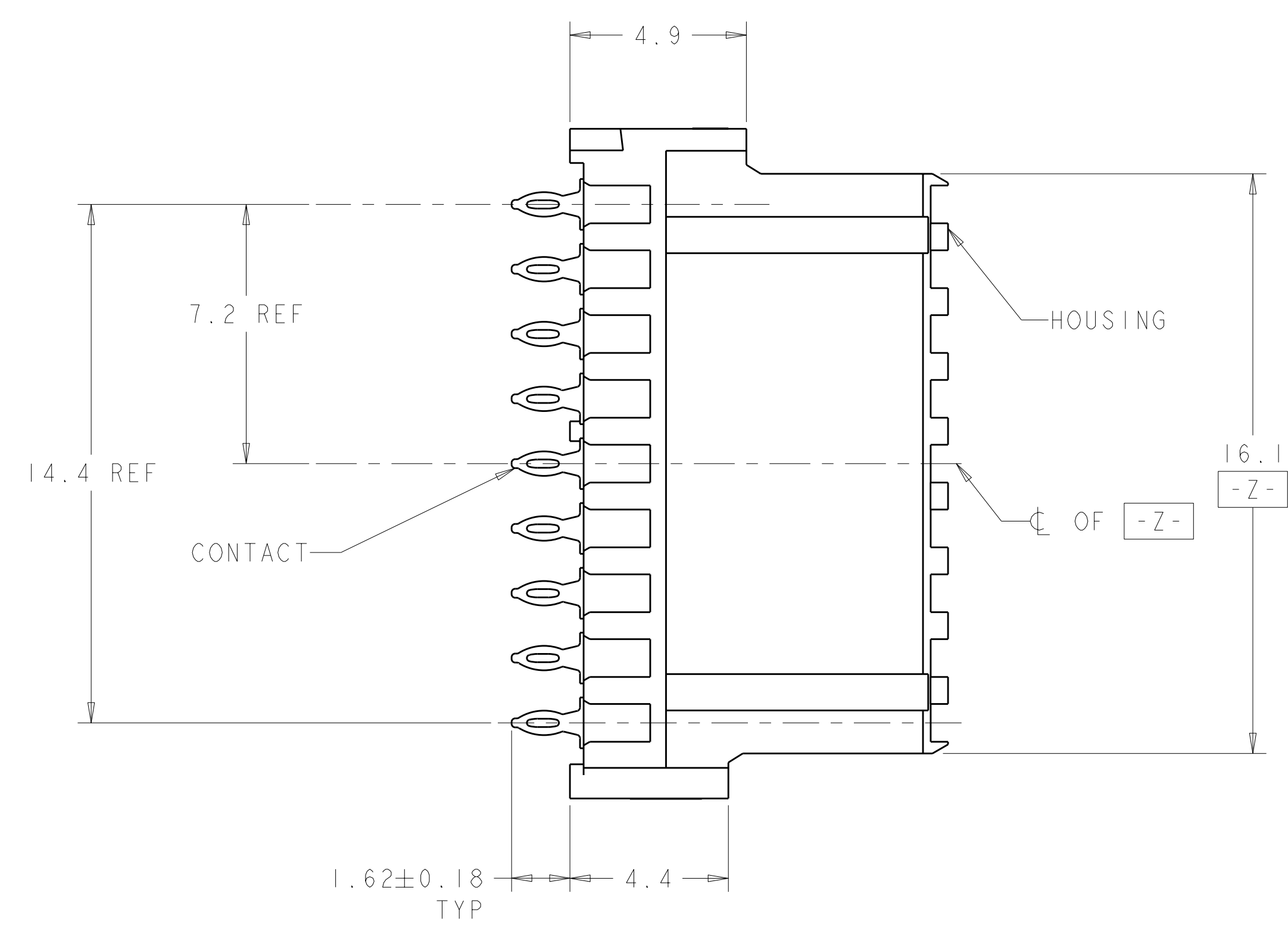
Email & Skype: info@chipsmall.com Web: www.chipsmall.com

Address: A1208, Overseas Decoration Building, #122 Zhenhua RD., Futian, Shenzhen, China



LOC	DIST	REV	DATE	BY	APPD
GP	00	B	08SEP2011	HMR	AS

- △ HOUSING: LCP, UL94V0, COLOR: BLACK.  
CONTACT: PHOSPHOR BRONZE.
- △ FINISH: 1.27µm GOLD IN CONTACT AREA 1.27µm MIN. TIN-LEAD ON PCB TAIL OVER 3.81µm MIN. NICKEL OVER ALL.
- △ MANUFACTURING TOLERANCE FOR  $\varnothing 0.56 \pm 0.05$  DIAMETER FINISHED HOLE WITH Sn /PB PLATING:  
DRILLED HOLE =  $\varnothing 0.65 \pm 0.02$   
COPPER PLATING = 0.025-0.050  
Sn PB PLATING = 0.0038-0.0124  
OR  
MANUFACTURING TOLERANCE FOR  $\varnothing 0.575 \pm 0.05$  DIAMETER FINISHED HOLE WITHOUT Sn /PB PLATING:  
DRILLED HOLE =  $\varnothing 0.65 \pm 0.02$   
COPPER PLATING = 0.025-0.050
- △ FINISH: 1.27µm GOLD IN CONTACT AREA 1.27µm MIN TIN ON PCB TAIL OVER 3.81µm MIN NICKEL OVER ALL.
- △ ADDITIONAL CONNECTOR-SIDE KEEPOUT AREA REQUIRED IF CONNECTOR-SIDE EXTRACTION TOOL IS TO BE USED.



PC BOARD LAYOUT (CONNECTOR SIDE) SCALE 5:1

△ 4	1410135-2
△ 2	1410135-1
PLATING	PART NO

THIS DRAWING IS A CONTROLLED DOCUMENT.		DWN	15OCT2002	TE Connectivity NAME: CONNECTOR ASSEMBLY, BACKPLANE VERTICAL RECEPTACLE, CENTER, VITA 41 20.3mm, MultiGig RT 2 SIZE: CAGE CODE DRAWING NO. RESTRICTED TO A100779C=1410135 SCALE: 8:1 SHEET 1 OF 1 REV B
DIMENSIONS: mm		CHK	15OCT2002	
TOLERANCES UNLESS OTHERWISE SPECIFIED:		APVD	15OCT2002	
9 PLC ± 1 PLC ±0.5 3 PLC ±0.13 5 PLC ± 4 PLC ± ANGLES ±1°		PRODUCT SPEC	108-2072	
MATERIAL: △		APPLICATION SPEC	114-13056	CUSTOMER DRAWING