



Chipsmall Limited consists of a professional team with an average of over 10 year of expertise in the distribution of electronic components. Based in Hongkong, we have already established firm and mutual-benefit business relationships with customers from,Europe,America and south Asia,supplying obsolete and hard-to-find components to meet their specific needs.

With the principle of “Quality Parts,Customers Priority,Honest Operation,and Considerate Service”,our business mainly focus on the distribution of electronic components. Line cards we deal with include Microchip,ALPS,ROHM,Xilinx,Pulse,ON,Everlight and Freescale. Main products comprise IC,Modules,Potentiometer,IC Socket,Relay,Connector.Our parts cover such applications as commercial,industrial, and automotives areas.

We are looking forward to setting up business relationship with you and hope to provide you with the best service and solution. Let us make a better world for our industry!



## Contact us

Tel: +86-755-8981 8866 Fax: +86-755-8427 6832

Email & Skype: info@chipsmall.com Web: www.chipsmall.com

Address: A1208, Overseas Decoration Building, #122 Zhenhua RD., Futian, Shenzhen, China



LOC	DIST	REV	DATE	BY	APPD
GP	00	B	02OCT2008	BC	RP

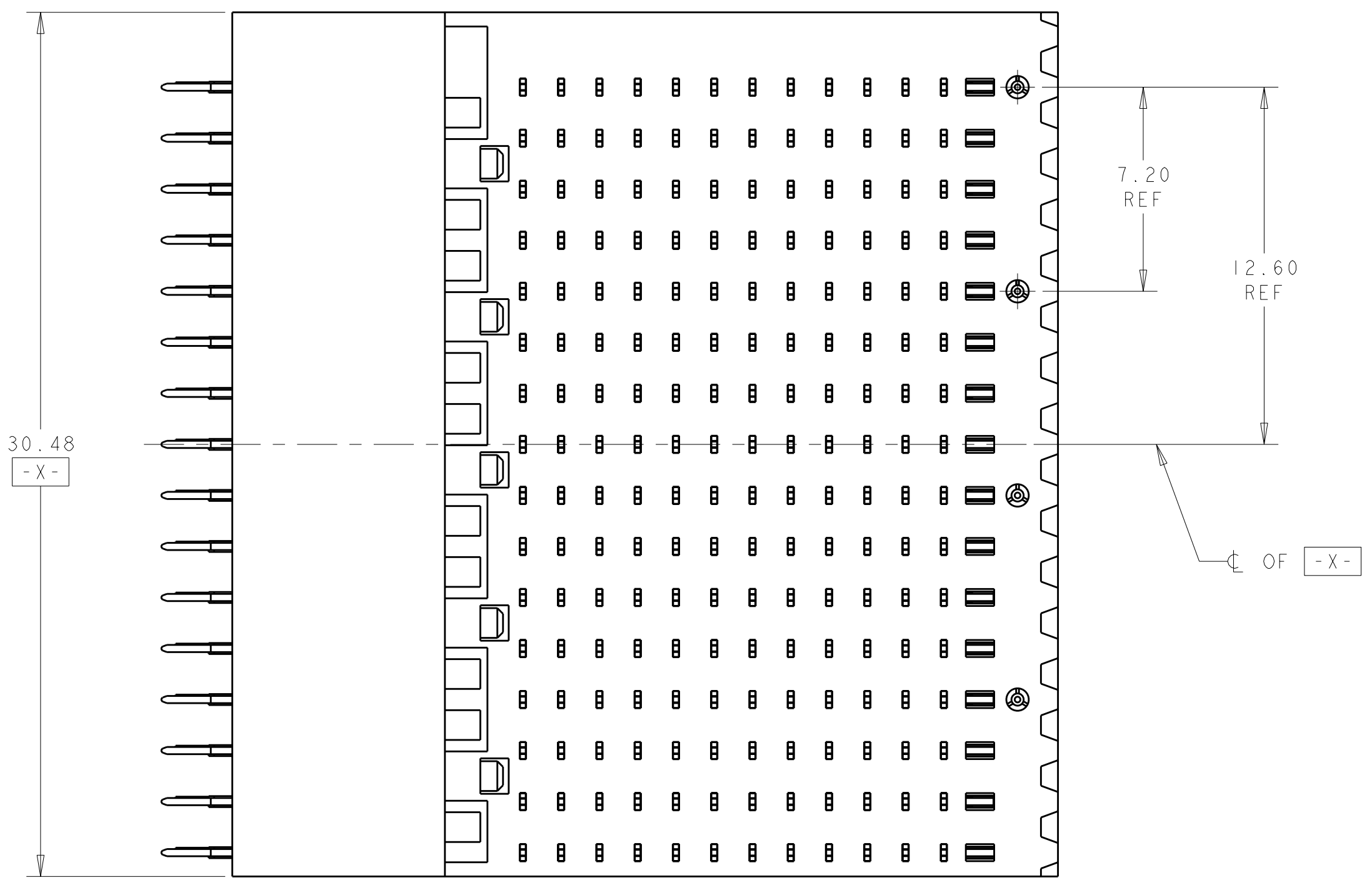
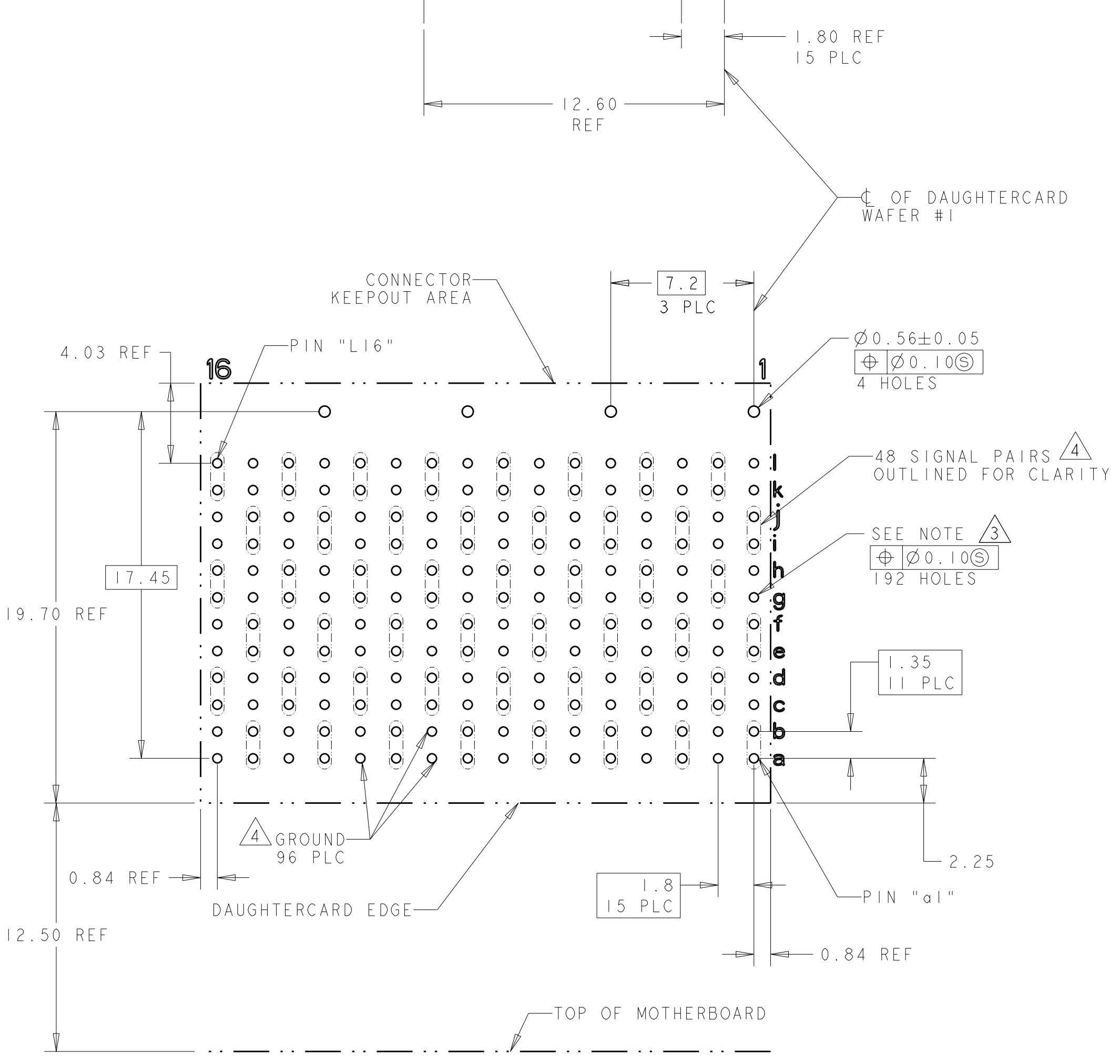
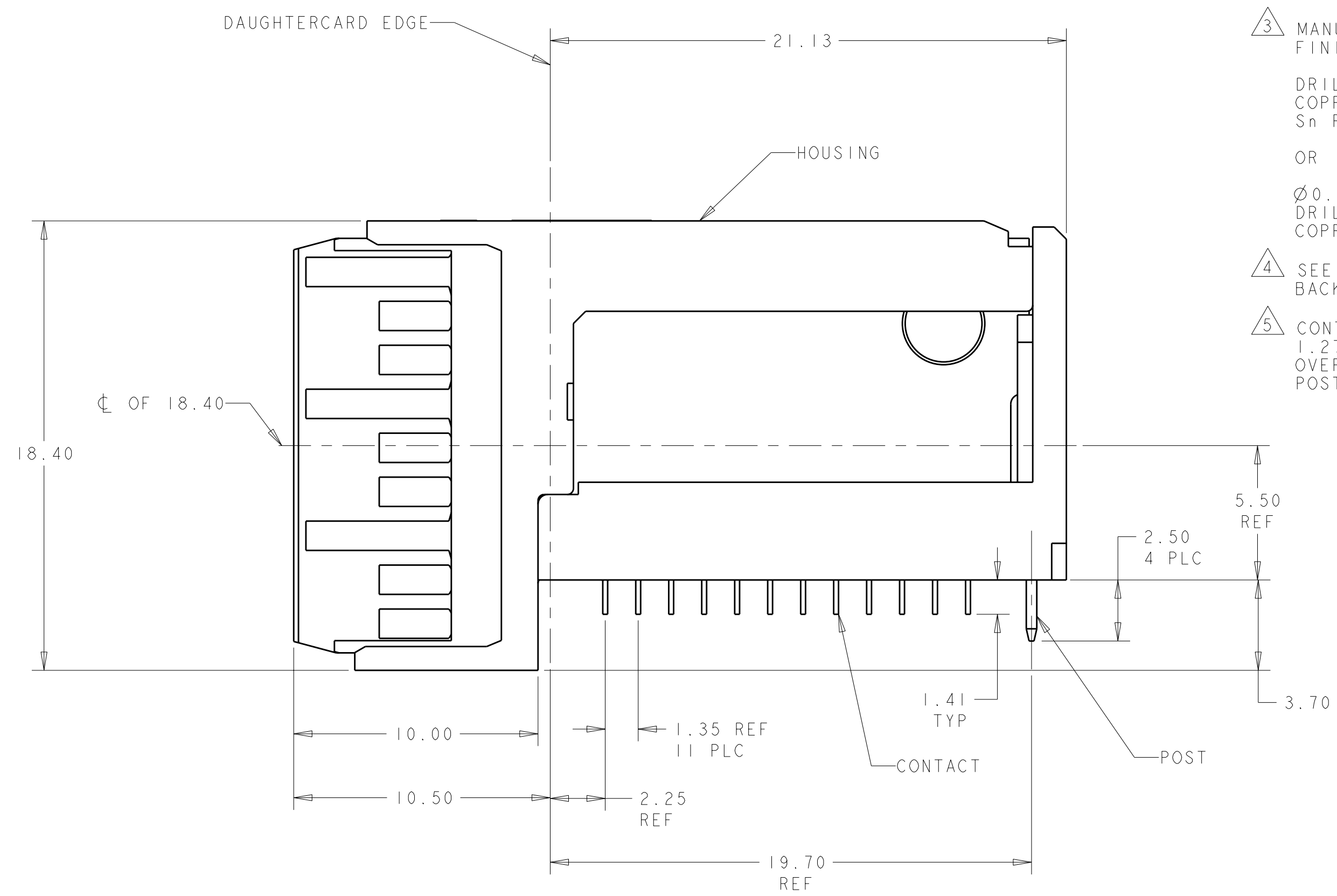
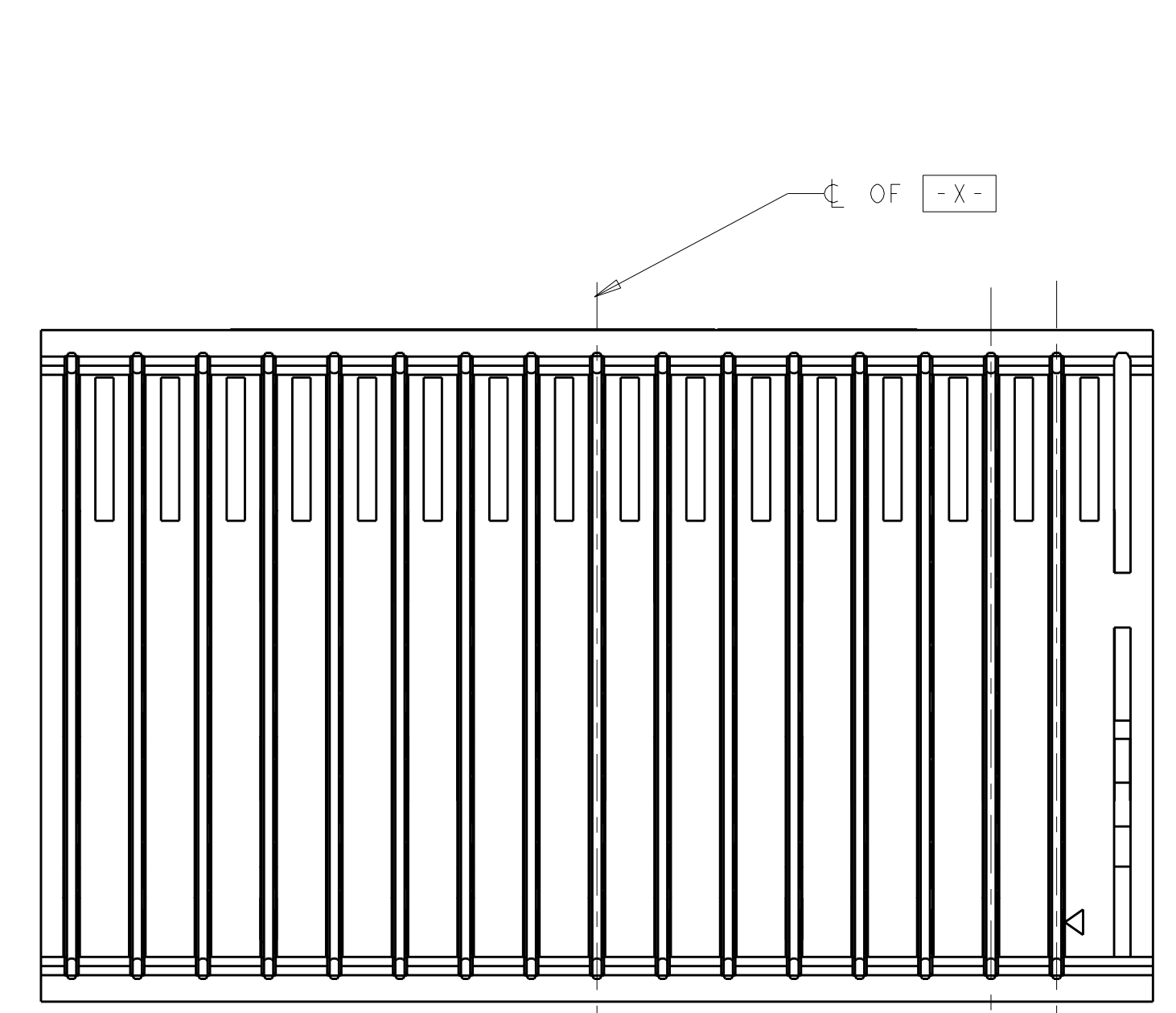
- 1 HOUSING: LCP, UL94V0, COLOR: BLACK.  
CONTACT: PHOSPHOR BRONZE.  
POST: BRASS WIRE
- 2 CONTACT: 0.76µm MIN GOLD IN CONTACT AREA.  
1.27µm MIN. TIN-LEAD ON PCB TAIL  
OVER 1.27µm MIN. NICKEL OVER ALL.  
POST 1.27µm MIN NICKEL PLATED.
- 3 MANUFACTURING TOLERANCE FOR  $\varnothing 0.46 \pm 0.05$   
FINISHED HOLE WITH Sn Pb PLATING:  
DRILLED HOLE =  $\varnothing 0.55 \pm 0.02$   
COPPER PLATING = 0.025-0.050  
Sn Pb PLATING = 0.0038-0.0124  
OR  
 $\varnothing 0.475 \pm 0.05$  FINISHED HOLE WITHOUT Sn Pb PLATING:  
DRILLED HOLE =  $\varnothing 0.55 \pm 0.02$   
COPPER PLATING = 0.025-0.050
- 4 SEE TABLE 1 FOR INTERCONNECTIONS TO  
BACKPLANE CONNECTOR.
- 5 CONTACT: 0.76µm MIN GOLD IN CONTACT AREA.  
1.27µm MIN. TIN ON PCB TAIL  
OVER 1.27µm MIN. NICKEL OVER ALL.  
POST 1.27µm MIN NICKEL PLATED.

TABLE 1  
INTERCONNECTIONS WITH BACKPLANE CONNECTOR 1410141

TYPICAL INTERCONNECTIONS FOR EACH EVEN-NUMBERED COLUMN (WAFER): 2, 4, 6, 8, 10, 12, 14, 16		
CONTACT USAGE	DAUGHTERCARD CONNECTOR PIN	BACKPLANE CONNECTOR PIN
SIGNAL PAIR	c x	b x
	d x	c x
SIGNAL PAIR	g x	e x
	h x	f x
SIGNAL PAIR	k x	h x
	l x	i x
GROUNDS	a x, b x, e x, f x, i x, j x (ALL COMMONED)	a x, d x, g x

TYPICAL INTERCONNECTIONS FOR EACH ODD-NUMBERED COLUMN (WAFER): 1, 3, 5, 7, 9, 11, 13, 15		
CONTACT USAGE	DAUGHTERCARD CONNECTOR PIN	BACKPLANE CONNECTOR PIN
SIGNAL PAIR	a x	a x
	b x	b x
SIGNAL PAIR	e x	d x
	f x	e x
SIGNAL PAIR	i x	g x
	j x	h x
GROUNDS	c x, d x, g x, h x, k x, l x (ALL COMMONED)	c x, f x, i x

NOTE: "x" DESIGNATES THE COLUMN NUMBER



PC BOARD LAYOUT (CONNECTOR SIDE)  
SCALE 5:1

DIMENSIONS: mm 9 PLC ±0.5 1 PLC ±0.13 5 PLC ±0.13 4 PLC ±0.13 ANGLES ±1°		TOLERANCES UNLESS OTHERWISE SPECIFIED: 9 PLC ±0.5 1 PLC ±0.13 5 PLC ±0.13 4 PLC ±0.13 ANGLES ±1°		DWN R. TREA 14NOV2002 CHK J. CONSOLI 18NOV2002 APVD G. GRIFFITH 14MAR2006		Tyco Electronics Harrisburg, PA 17105-3608	
MATERIAL: SEE TABLE FINISH: SEE TABLE		WEIGHT: - CUSTOMER DRAWING		NAME: RIGHT-ANGLE PLUG ASSEMBLY LEFT END, 20.3mm, MultiGig RT2, DAUGHTERCARD CONNECTOR, DIFFERENTIAL		SIZE: A11 00779 CAGE CODE: C=1410138 DRAWING NO: 1410138-2 PART NO: 1410138-1	
SCALE: 5:1		SHEET: 1 OF 1		REV: B		RESTRICTED TO	