



Chipsmall Limited consists of a professional team with an average of over 10 year of expertise in the distribution of electronic components. Based in Hongkong, we have already established firm and mutual-benefit business relationships with customers from,Europe,America and south Asia,supplying obsolete and hard-to-find components to meet their specific needs.

With the principle of “Quality Parts,Customers Priority,Honest Operation,and Considerate Service”,our business mainly focus on the distribution of electronic components. Line cards we deal with include Microchip,ALPS,ROHM,Xilinx,Pulse,ON,Everlight and Freescale. Main products comprise IC,Modules,Potentiometer,IC Socket,Relay,Connector.Our parts cover such applications as commercial,industrial, and automotives areas.

We are looking forward to setting up business relationship with you and hope to provide you with the best service and solution. Let us make a better world for our industry!



## Contact us

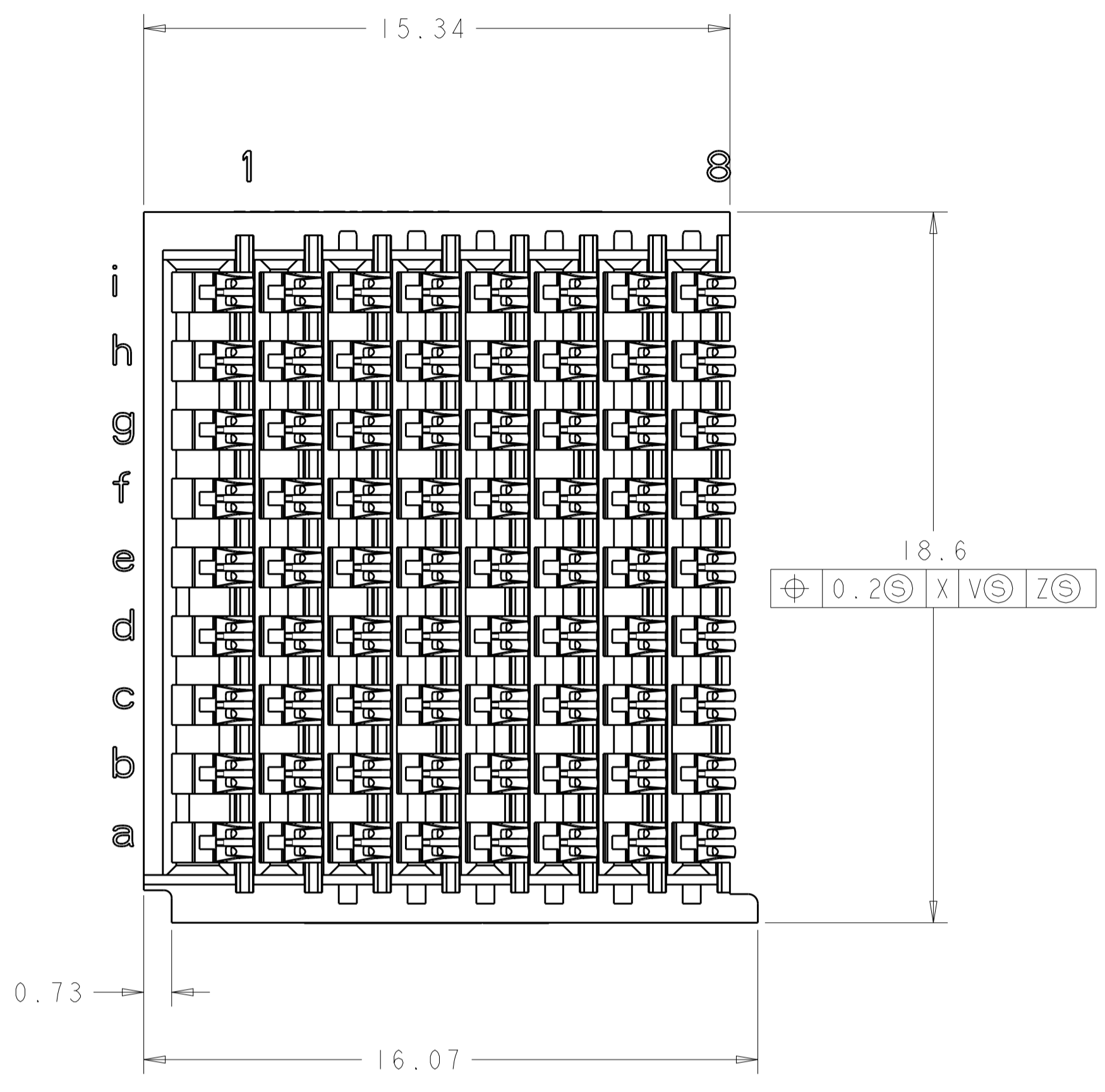
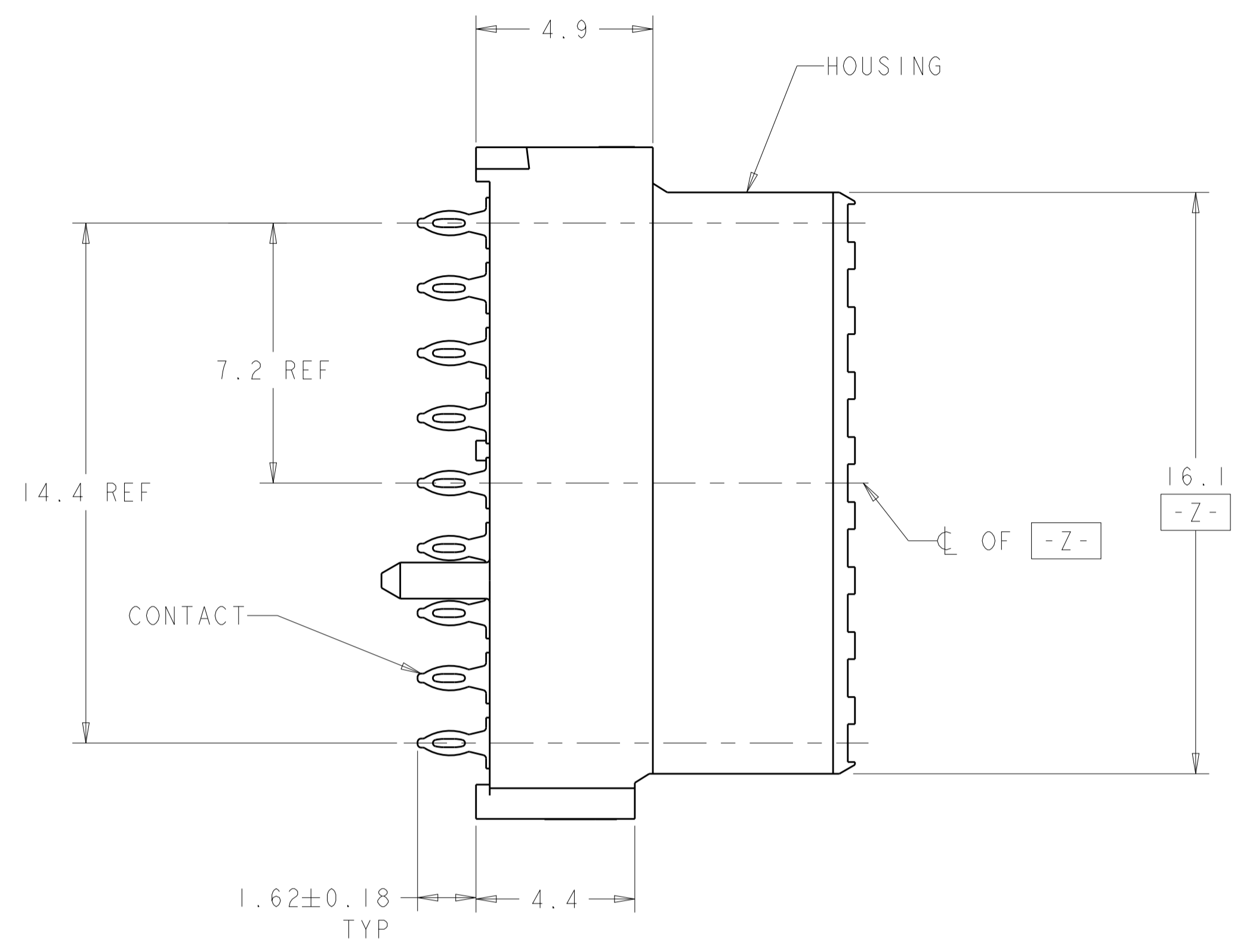
Tel: +86-755-8981 8866 Fax: +86-755-8427 6832

Email & Skype: info@chipsmall.com Web: www.chipsmall.com

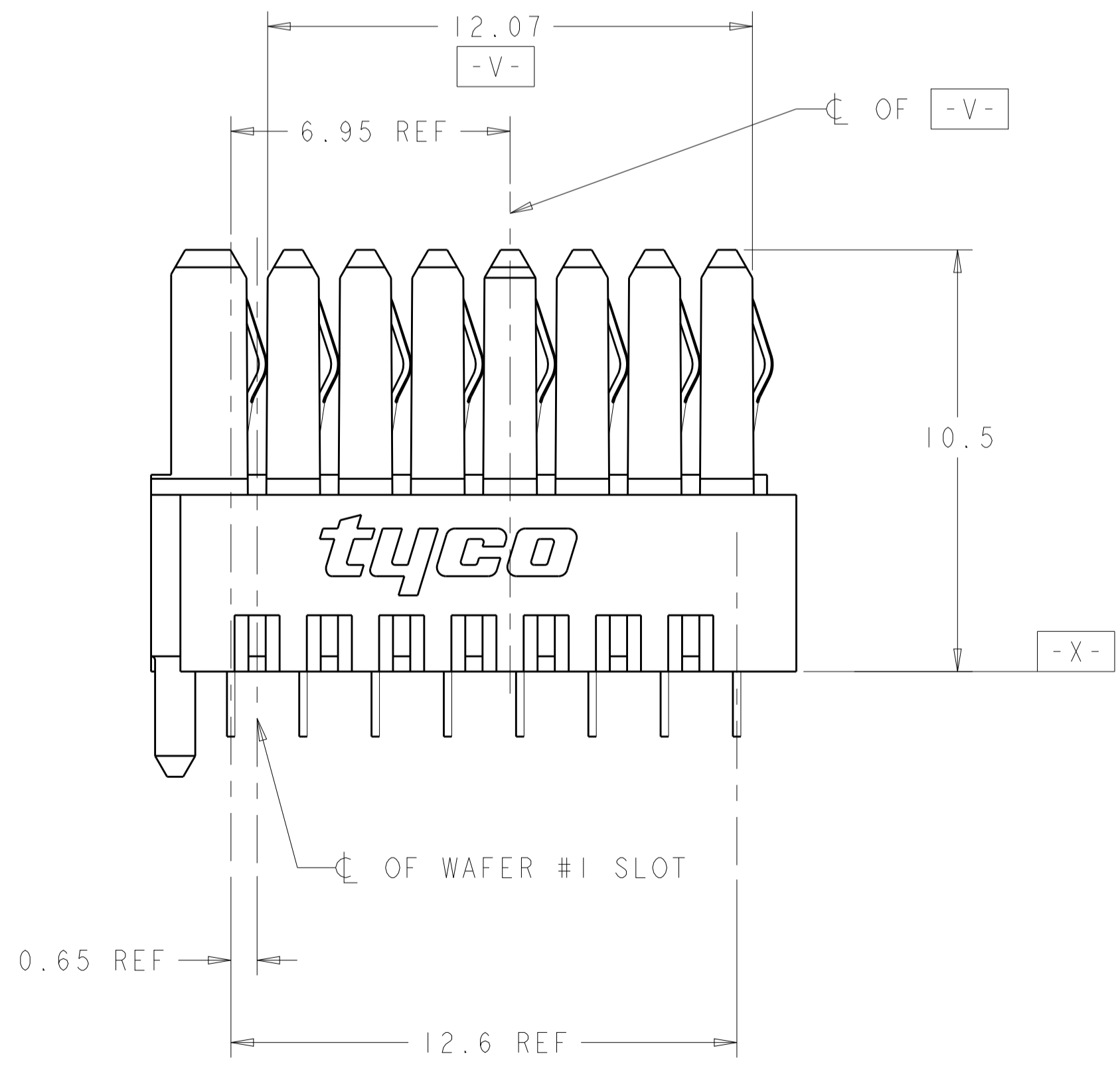
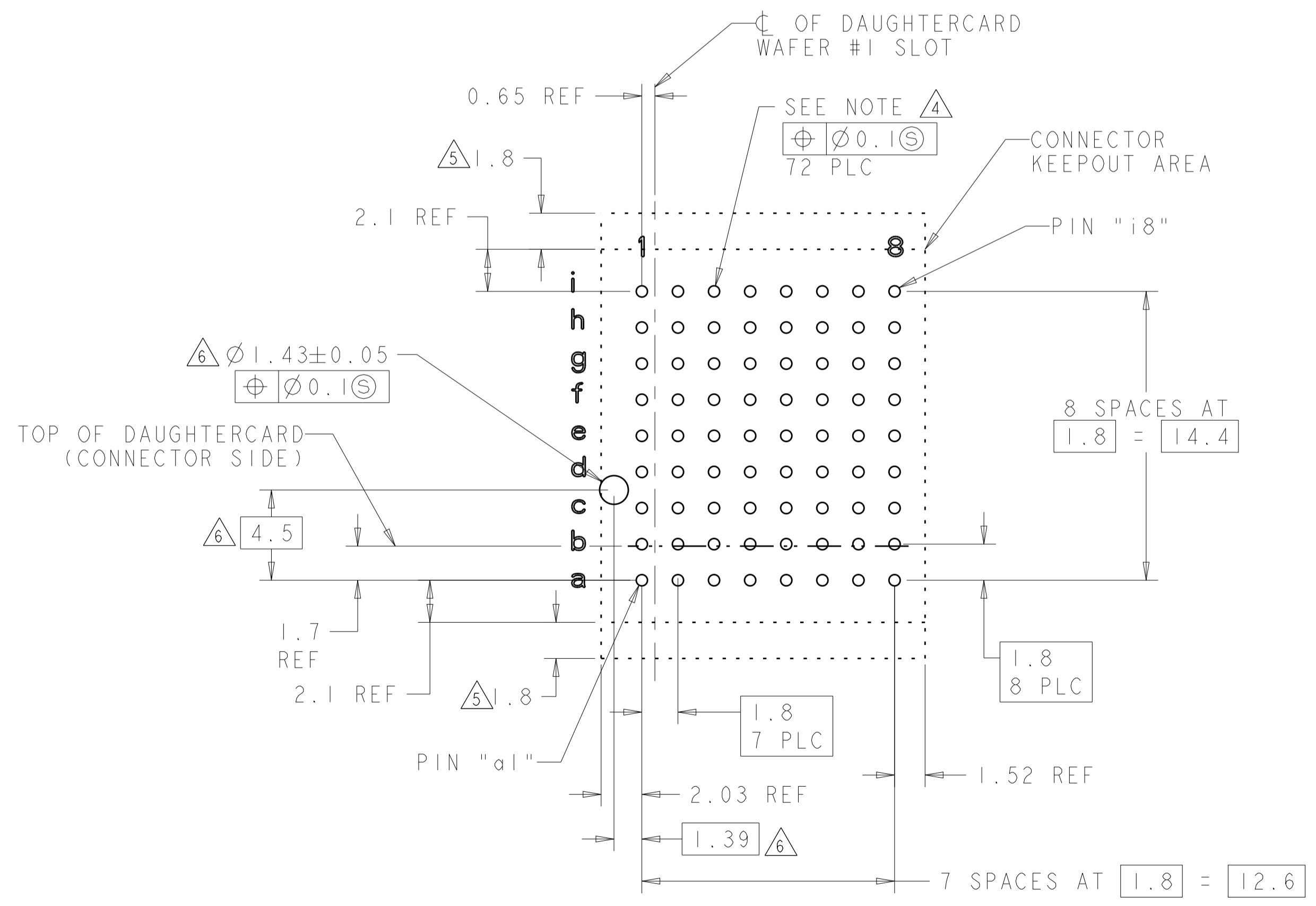
Address: A1208, Overseas Decoration Building, #122 Zhenhua RD., Futian, Shenzhen, China



LOC		DIST		REVISIONS			
GP	00	P	LTN	DESCRIPTION	DATE	DWN	APVD
		C1		REVISED PER ECO-12-011861	28JUN2012	KH	AS



- 1 HOUSING: LCP, UL94V0, COLOR: BLACK. CONTACT: PHOSPHOR BRONZE.
- 2 FINISH: 1.27µm GOLD IN CONTACT AREA 1.27µm MIN. TIN-LEAD ON PCB TAIL OVER 3.81µm MIN. NICKEL OVER ALL.
- 3 FINISH: 1.27µm GOLD IN CONTACT AREA 1.27µm MIN. TIN ON PCB TAIL OVER 3.81µm MIN. NICKEL OVER ALL.
- 4 PLATED THROUGH HOLE PER 114-13056, FIGURE 4.
- 5 ADDITIONAL CONNECTOR-SIDE KEEPOUT AREA REQUIRED IF CONNECTOR-SIDE EXTRACTION TOOL IS TO BE USED.



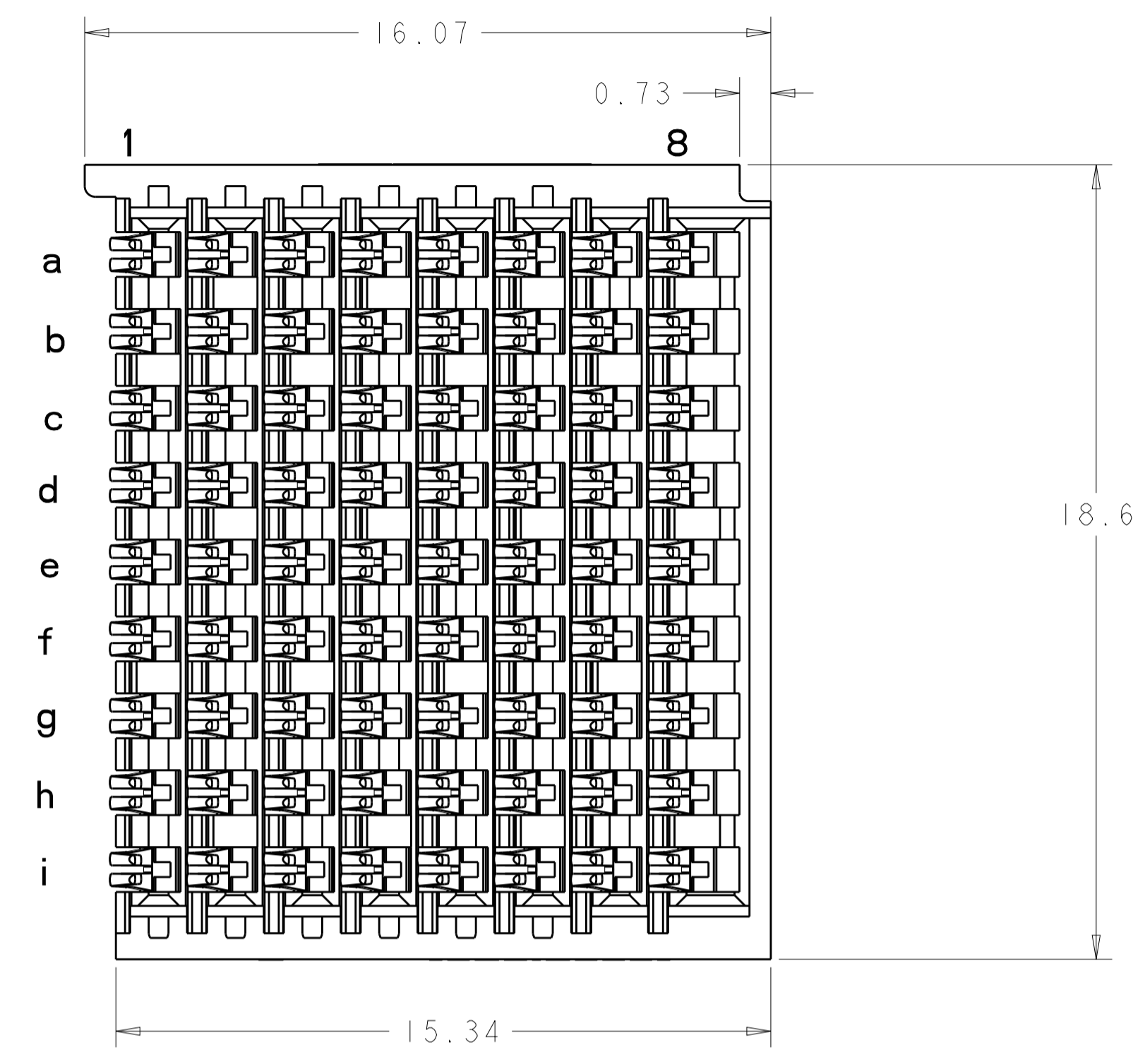
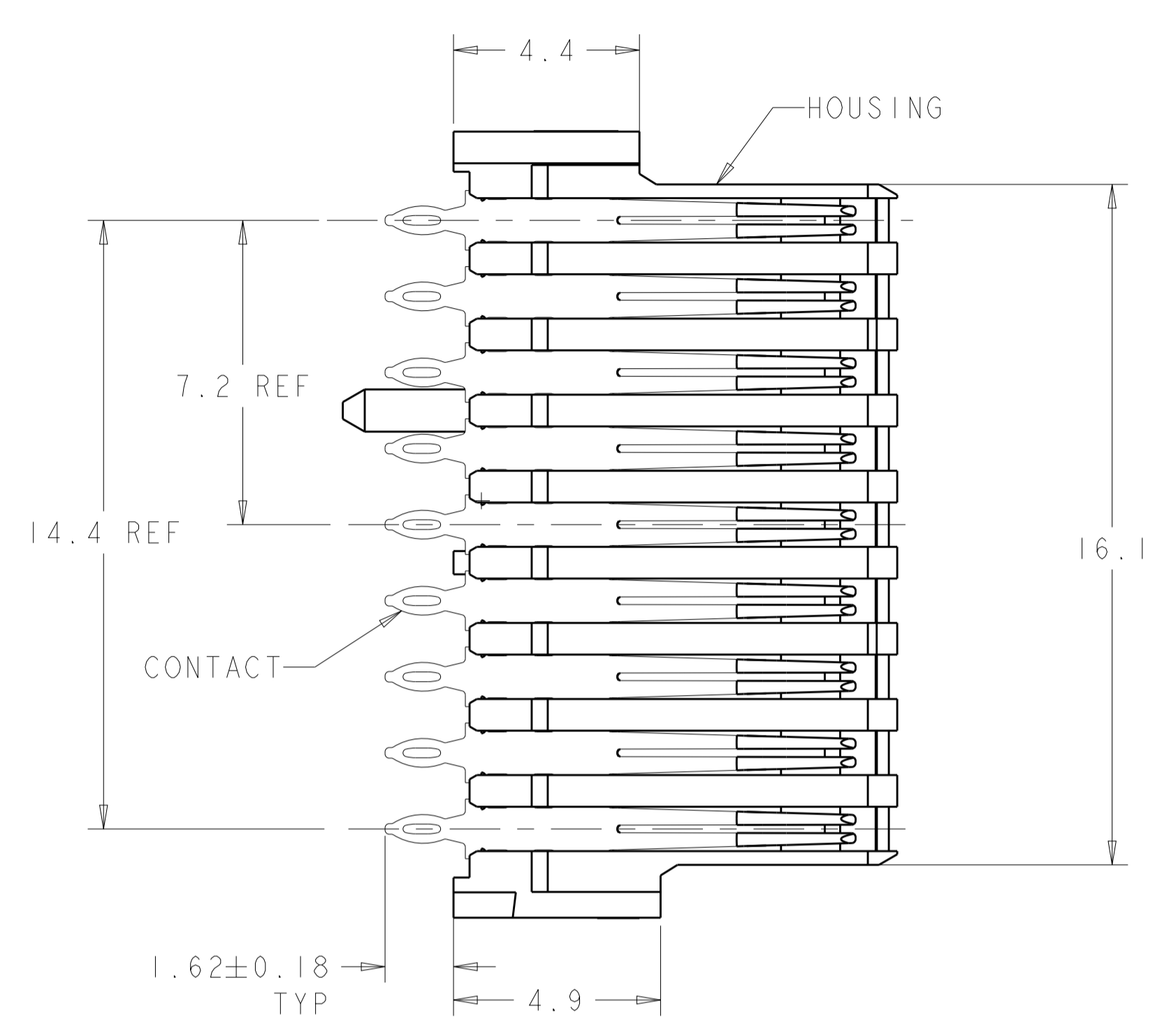
PC BOARD LAYOUT  
 (CONNECTOR SIDE)  
 SEE SHEET 2 FOR RTM)  
 SCALE 5:1

3	1410186-2
2	1410186-1
PLATING	PART NO

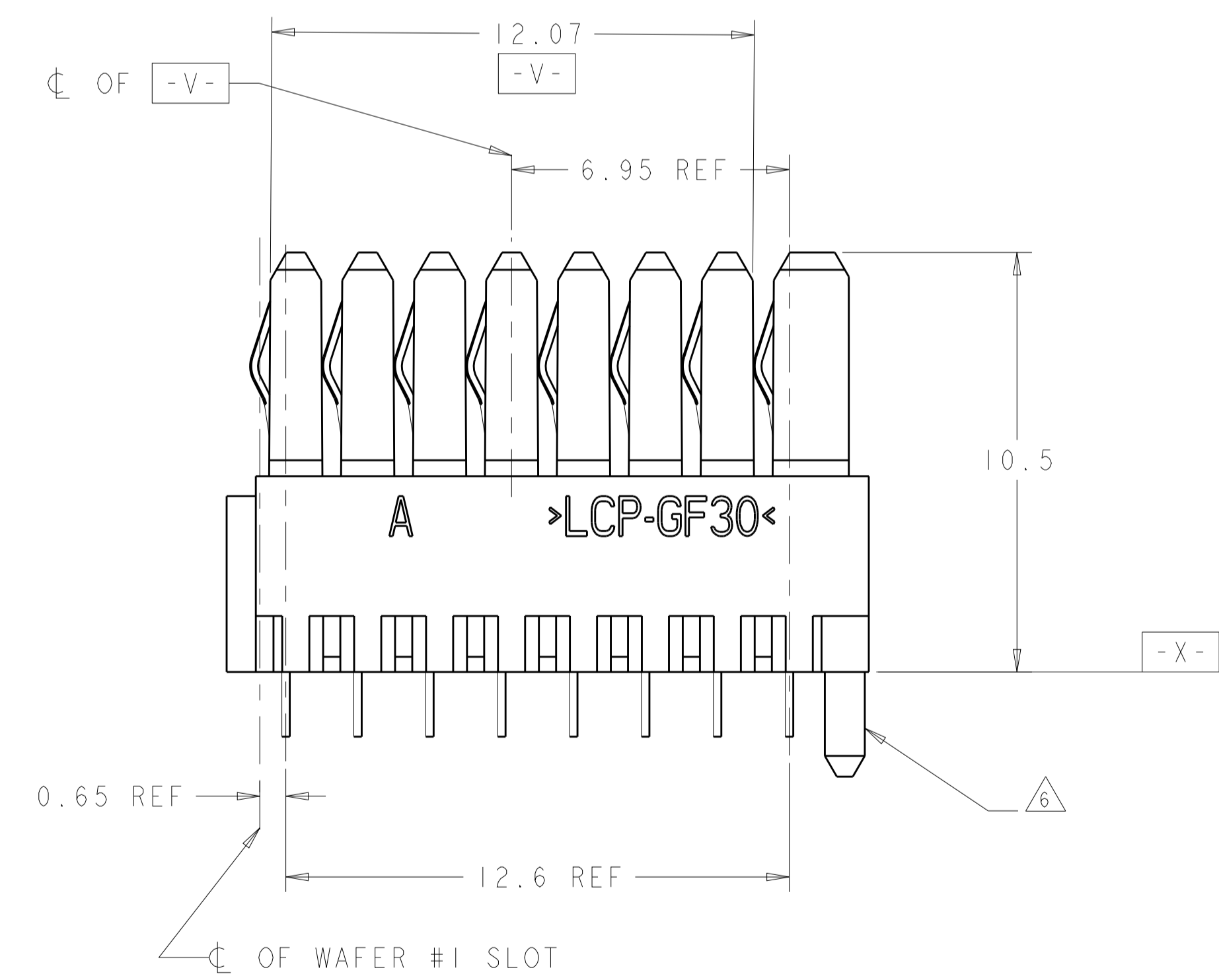
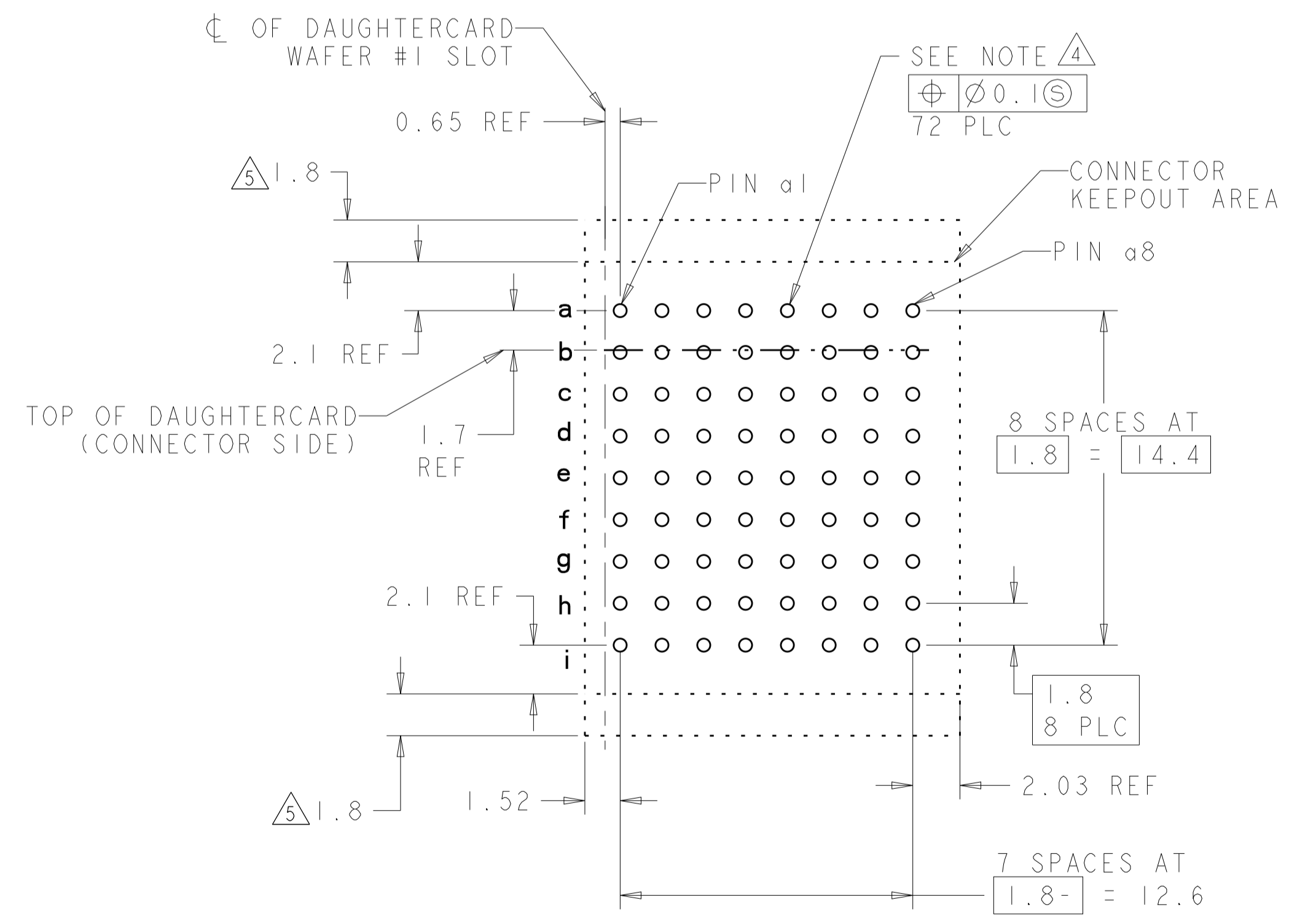
THIS DRAWING IS A CONTROLLED DOCUMENT.		DWN	30SEP2003	TE Connectivity			
DIMENSIONS:		CHK	30SEP2003				
mm		APVD	30SEP2003				
0 PLC ± 1 PLC ±0.5 2 PLC ±0.13 3 PLC ± 4 PLC ± ANGLES ±1°		NAME	CONNECTOR ASSEMBLY, BACKPLANE VERTICAL RECEPTACLE, HALF, LEFT END, 20.3mm, MultiGig RT 2				
MATERIAL	SEE TABLE	PRODUCT SPEC	108-2072	SIZE	CAGE CODE	DRAWING NO	RESTRICTED TO
		APPLICATION SPEC	114-13056	A1	00779	C=1410186	
		WEIGHT		CUSTOMER DRAWING	SCALE	4:1	SHEET 1 OF 2
							REV C1

LOC		DIST		REVISIONS			
GP	00	P	LYR	DESCRIPTION	DATE	OWN	APVD
		-		SEE SHEET 1			

# REAR TRANSITION MODULE APPLICATION



- ⚠ 6 PLASTIC ALIGNMENT PIN MUST BE REMOVED FLUSH TO HOUSING BODY PRIOR TO INSERTION INTO RTM LAYOUT
- ⚠ 7 OBSOLETE PARTS: OBSOLETE CIS STREAMLINING PER D. RENAUD/D. SINISI



RTM PC BOARD LAYOUT  
(CONNECTOR SIDE)  
SCALE 5:1

THIS DRAWING IS A CONTROLLED DOCUMENT.		OWN	30SEP2003		TE Connectivity	
DIMENSIONS:		LSIPE	30SEP2003		NAME	
mm		CHK	30SEP2003	CONNECTOR ASSEMBLY, BACKPLANE		
TOLERANCES UNLESS OTHERWISE SPECIFIED:		APVD	J.CONSO1	VERTICAL RECEPTACLE, HALF, LEFT END,		
0 PLC ±		PRODUCT SPEC	30SEP2003	20.3mm, MultiGig RT 2		
1 PLC ±0.5		APPLICATION SPEC		SIZE	CAGE CODE	
2 PLC ±		WEIGHT	114-13056	A100779	C=1410186	
3 PLC ±0.13		FINISH		SCALE	4:1	
4 PLC ±		SEE TABLE		SHEET	2 OF 2	
ANGLES ±1°		CUSTOMER DRAWING		REV	C1	