



Chipsmall Limited consists of a professional team with an average of over 10 year of expertise in the distribution of electronic components. Based in Hongkong, we have already established firm and mutual-benefit business relationships with customers from,Europe,America and south Asia,supplying obsolete and hard-to-find components to meet their specific needs.

With the principle of “Quality Parts,Customers Priority,Honest Operation,and Considerate Service”,our business mainly focus on the distribution of electronic components. Line cards we deal with include Microchip,ALPS,ROHM,Xilinx,Pulse,ON,Everlight and Freescale. Main products comprise IC,Modules,Potentiometer,IC Socket,Relay,Connector.Our parts cover such applications as commercial,industrial, and automotives areas.

We are looking forward to setting up business relationship with you and hope to provide you with the best service and solution. Let us make a better world for our industry!



Contact us

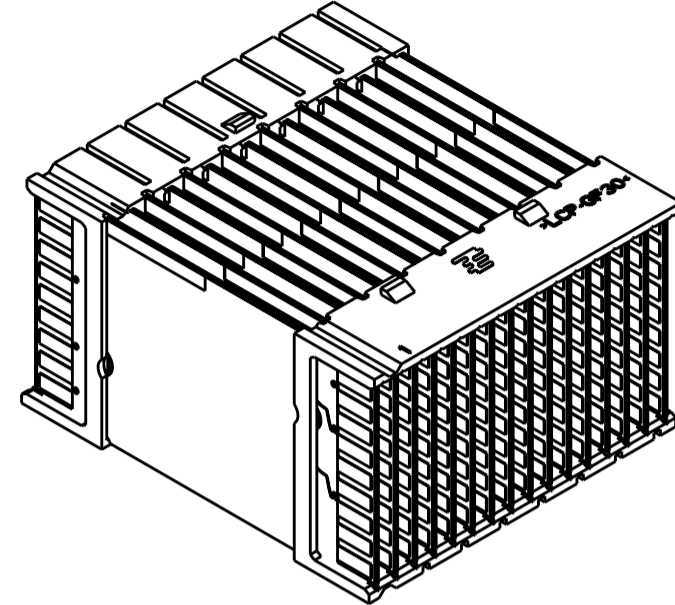
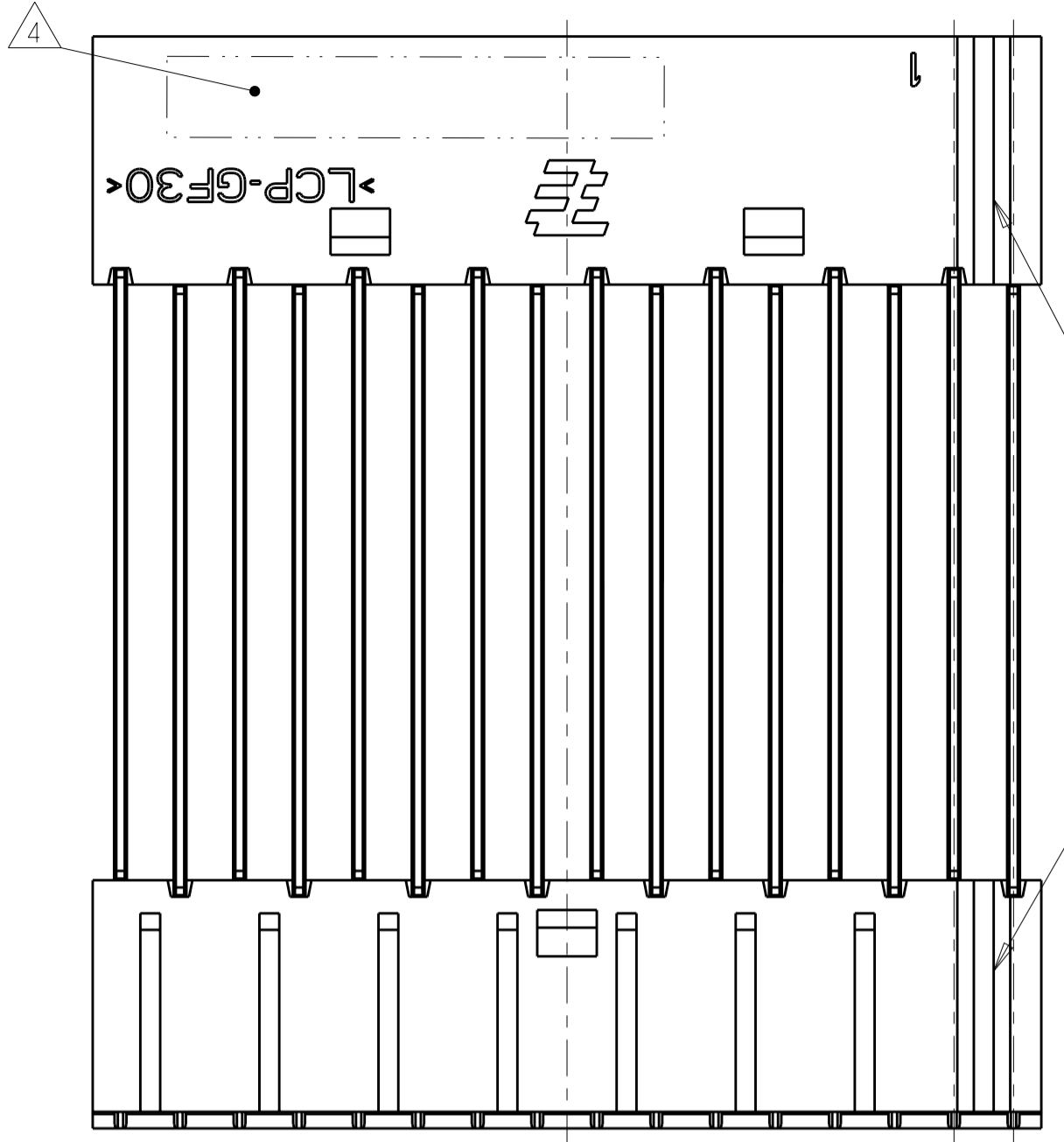
Tel: +86-755-8981 8866 Fax: +86-755-8427 6832

Email & Skype: info@chipsmall.com Web: www.chipsmall.com

Address: A1208, Overseas Decoration Building, #122 Zhenhua RD., Futian, Shenzhen, China



LOC	DIST	REVISIONS					
GP	00	P	LTR	DESCRIPTION	DATE	DWN	APVD
			A	REV PER ECO-08-032056	23DEC2008	BC	GG

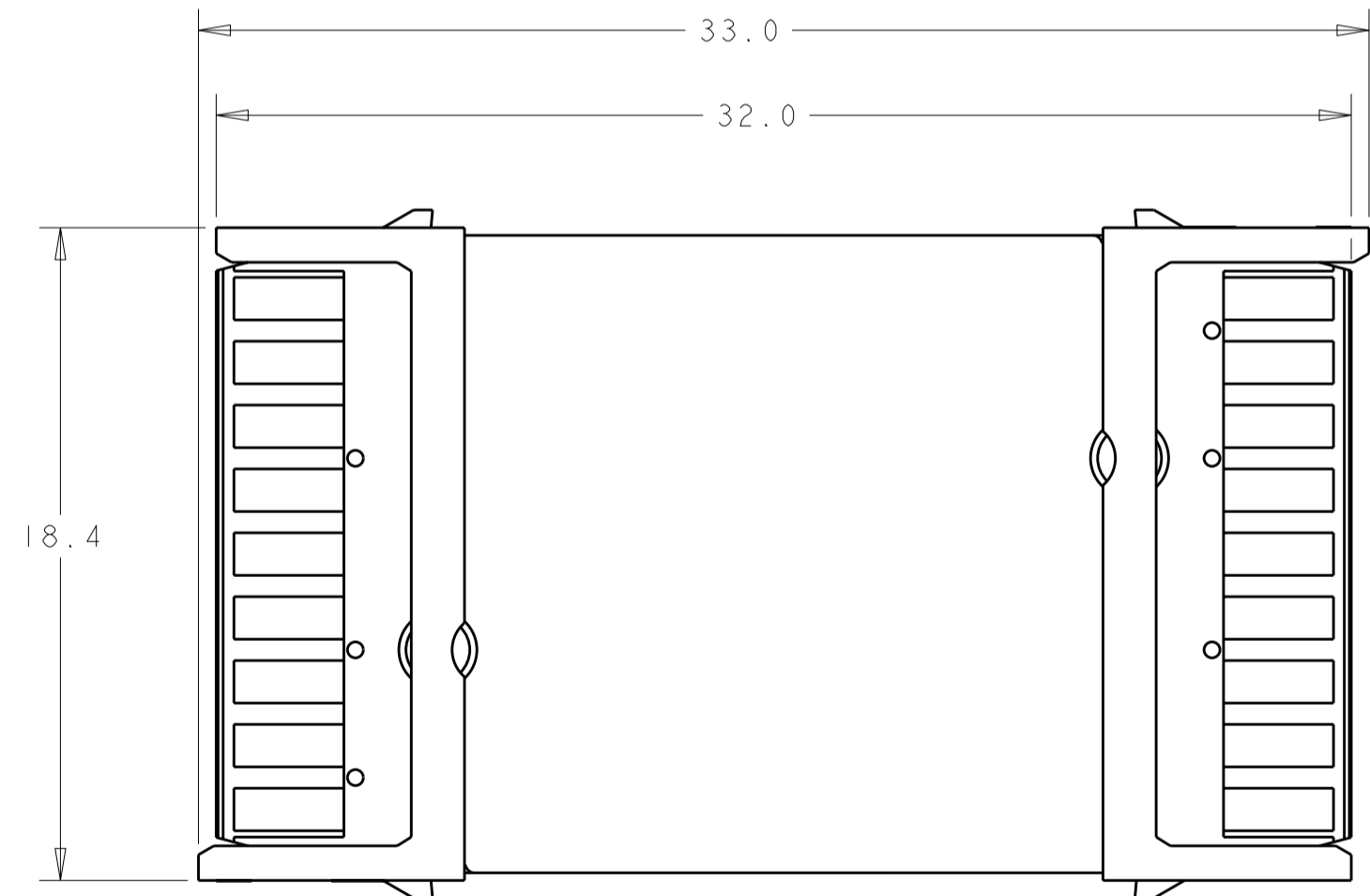
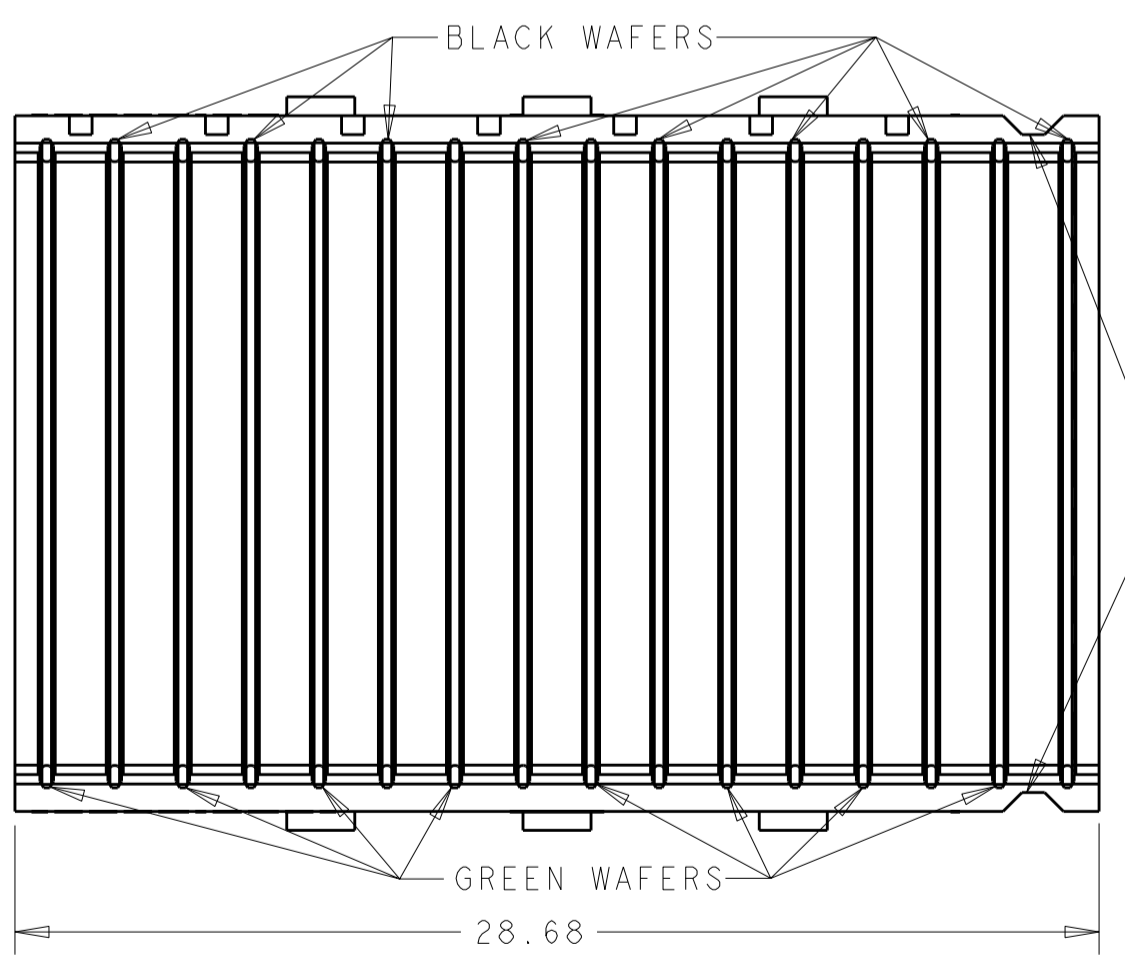


SCALE 2:1

- ① HOUSING: LCP, UL94V0, COLOR: BLACK. WAFER: FR4.
- ② CONTACT: GOLD PLATED IN PAD CONTACT AREA.
- 3. SEE TABLE FOR INTERCONNECTIONS TO BACKPLANE CONNECTOR.
- ④ PART NUMBER AND DATE CODE (yyww) LOCATED ON SURFACE INDICATED.

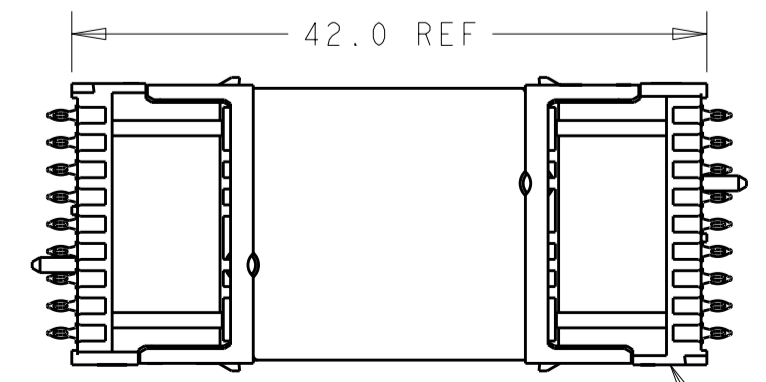
TYPICAL INTERCONNECTIONS FOR EACH ODD-NUMBERED COLUMN (BLACK WAFER): 1, 3, 5, 7, 9, 11, 13, 15

CONTACT USAGE	DAUGHTERCARD/MAIN CARD	MEZZANINE/CARRIER CARD
SIGNAL	bx	ix
SIGNAL	cx	hx
SIGNAL	ex	fx
SIGNAL	fx	ex
SIGNAL	hx	cx
SIGNAL	ix	bx
GROUPS ALL COMMONED	ax, dx, gx	gx, dx, ax



TYPICAL INTERCONNECTIONS FOR EACH EVEN-NUMBERED COLUMN (GREEN WAFER): 2, 4, 6, 8, 10, 12, 14, 16

CONTACT USAGE	DAUGHTERCARD/MAIN CARD	MEZZANINE/CARRIER CARD
SIGNAL	ax	hx
SIGNAL	bx	gx
SIGNAL	dx	ex
SIGNAL	ex	dx
SIGNAL	gx	bx
SIGNAL	hx	ax
GROUPS ALL COMMONED	cx, fx, ix	ix, fx, cx



SCALE 2:1 MATING P/N 1410140 OR 1410142

THIS DRAWING IS A CONTROLLED DOCUMENT FOR TYCO ELECTRONICS CORPORATION. IT IS SUBJECT TO CHANGE AND THE CONTROLLING ENGINEERING ORGANIZATION SHOULD BE CONTACTED FOR THE LATEST REVISION.

DIMENSIONS: mm	TOLERANCES UNLESS OTHERWISE SPECIFIED:	DWN L.SIPE 16JUN2006	Tyco Electronics Harrisburg, PA 17105-3608
	0 PLC ±	CHK M. McALONIS 16JUN2006	
	1 PLC ±0.13	APVD G. GRIFFITH 23DEC2008	
	2 PLC ±0.013	PRODUCT SPEC 108-2072	
MATERIAL	3 PLC ±	APPLICATION SPEC 114-13056	NAME MEZZANINE CONNECTOR, 42mm STACK HEIGHT, DIFFERENTIAL, 16 WAFER, MultiGig RT2
	4 PLC ±	WEIGHT -	SIZE A20779 CAGE CODE C-1410196
	ANGLES ±	CUSTOMER DRAWING	RESTRICTED TO -
	FINISH	SCALE	SHEET OF REV A