



Chipsmall Limited consists of a professional team with an average of over 10 year of expertise in the distribution of electronic components. Based in Hongkong, we have already established firm and mutual-benefit business relationships with customers from,Europe,America and south Asia,supplying obsolete and hard-to-find components to meet their specific needs.

With the principle of "Quality Parts,Customers Priority,Honest Operation,and Considerate Service",our business mainly focus on the distribution of electronic components. Line cards we deal with include Microchip,ALPS,ROHM,Xilinx,Pulse,ON,Everlight and Freescale. Main products comprise IC,Modules,Potentiometer,IC Socket,Relay,Connector.Our parts cover such applications as commercial,industrial, and automotives areas.

We are looking forward to setting up business relationship with you and hope to provide you with the best service and solution. Let us make a better world for our industry!



## Contact us

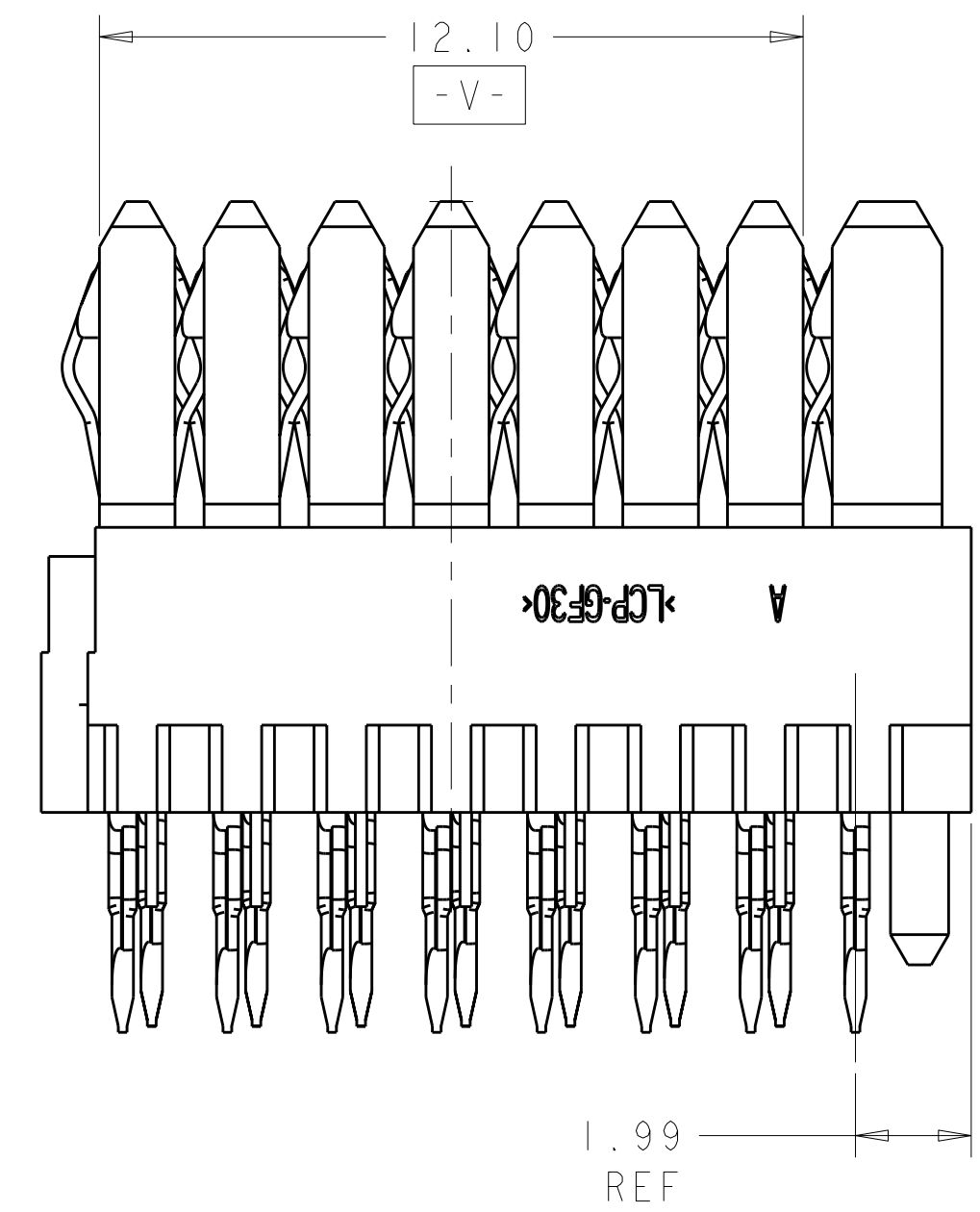
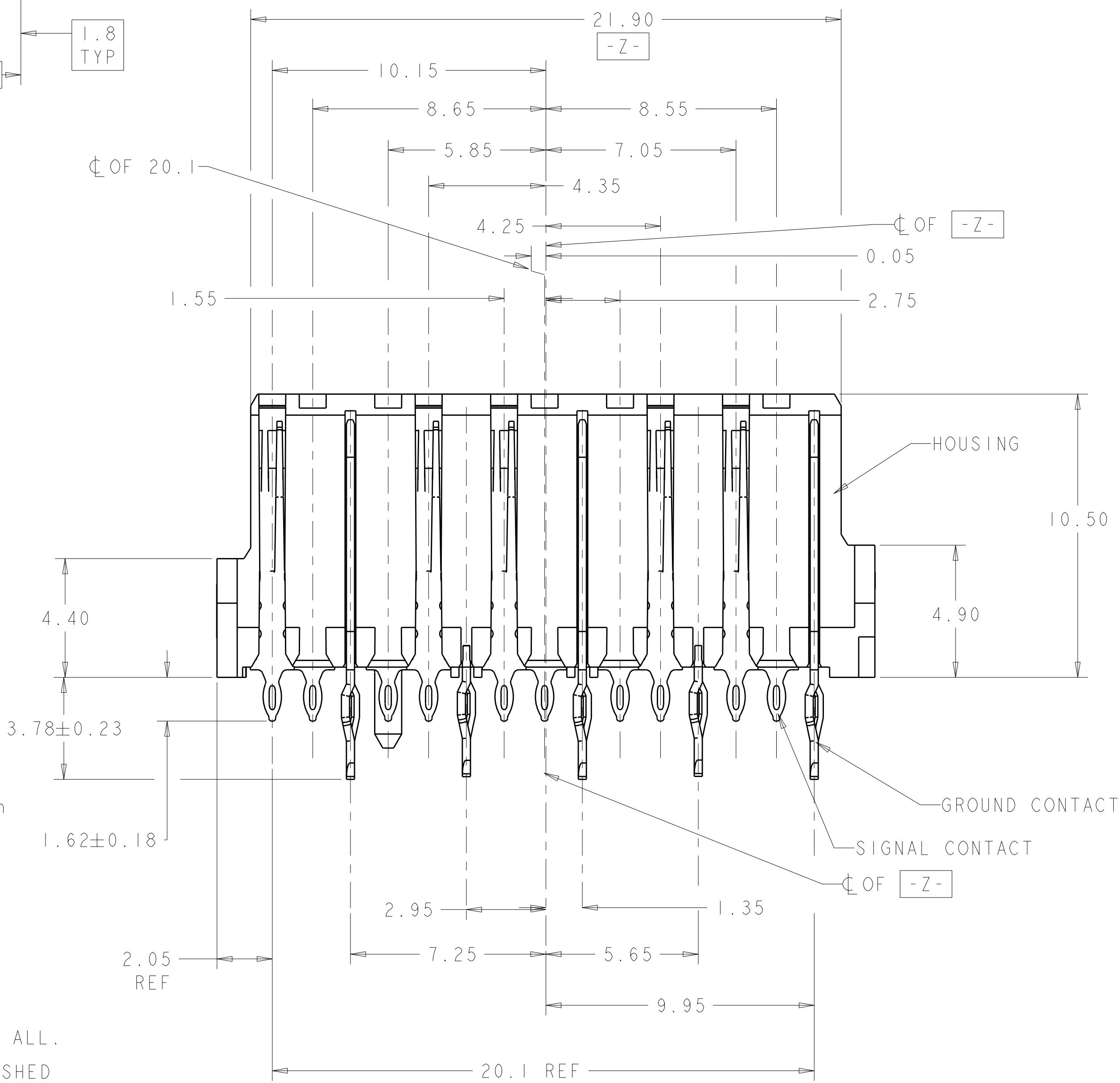
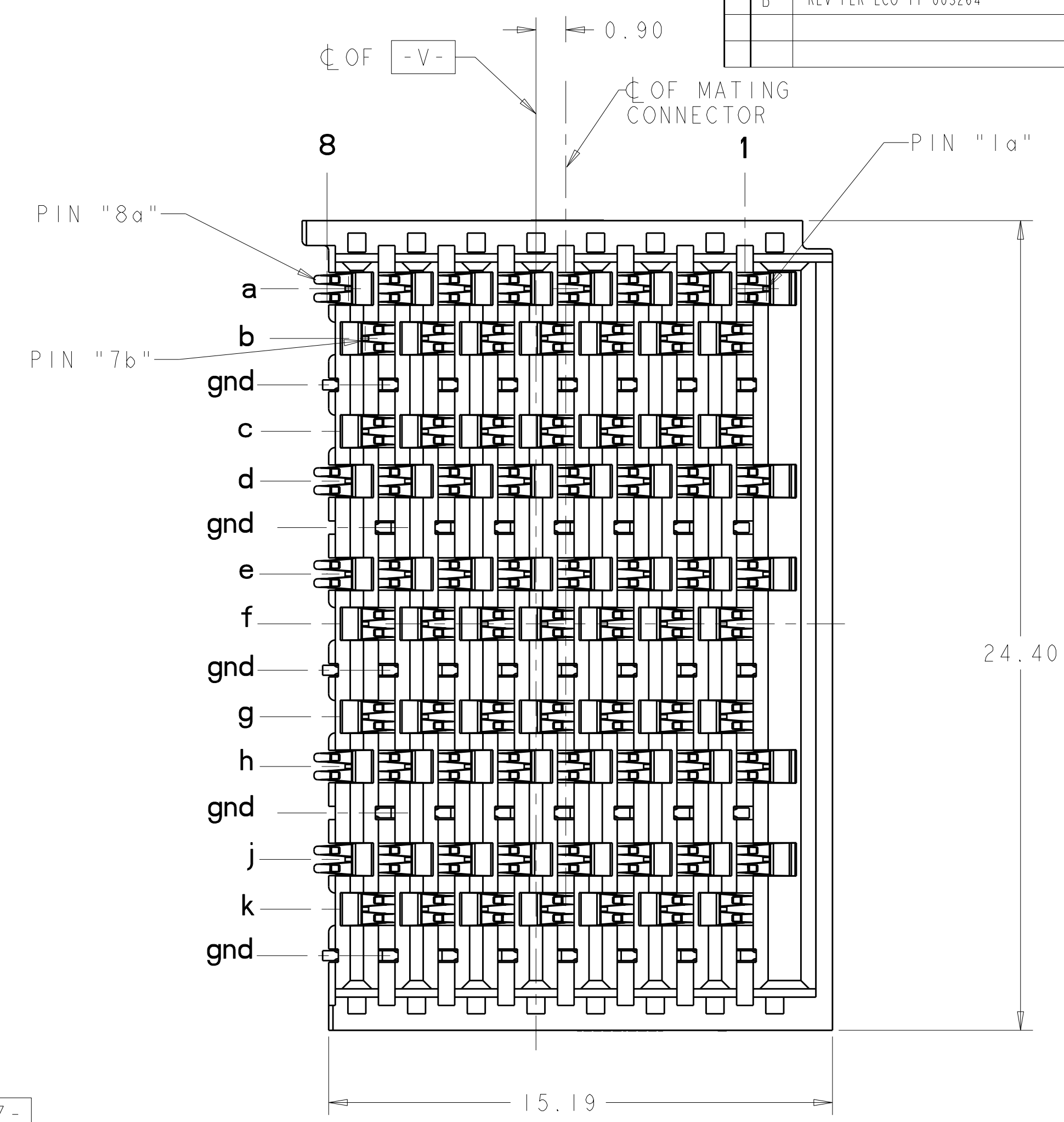
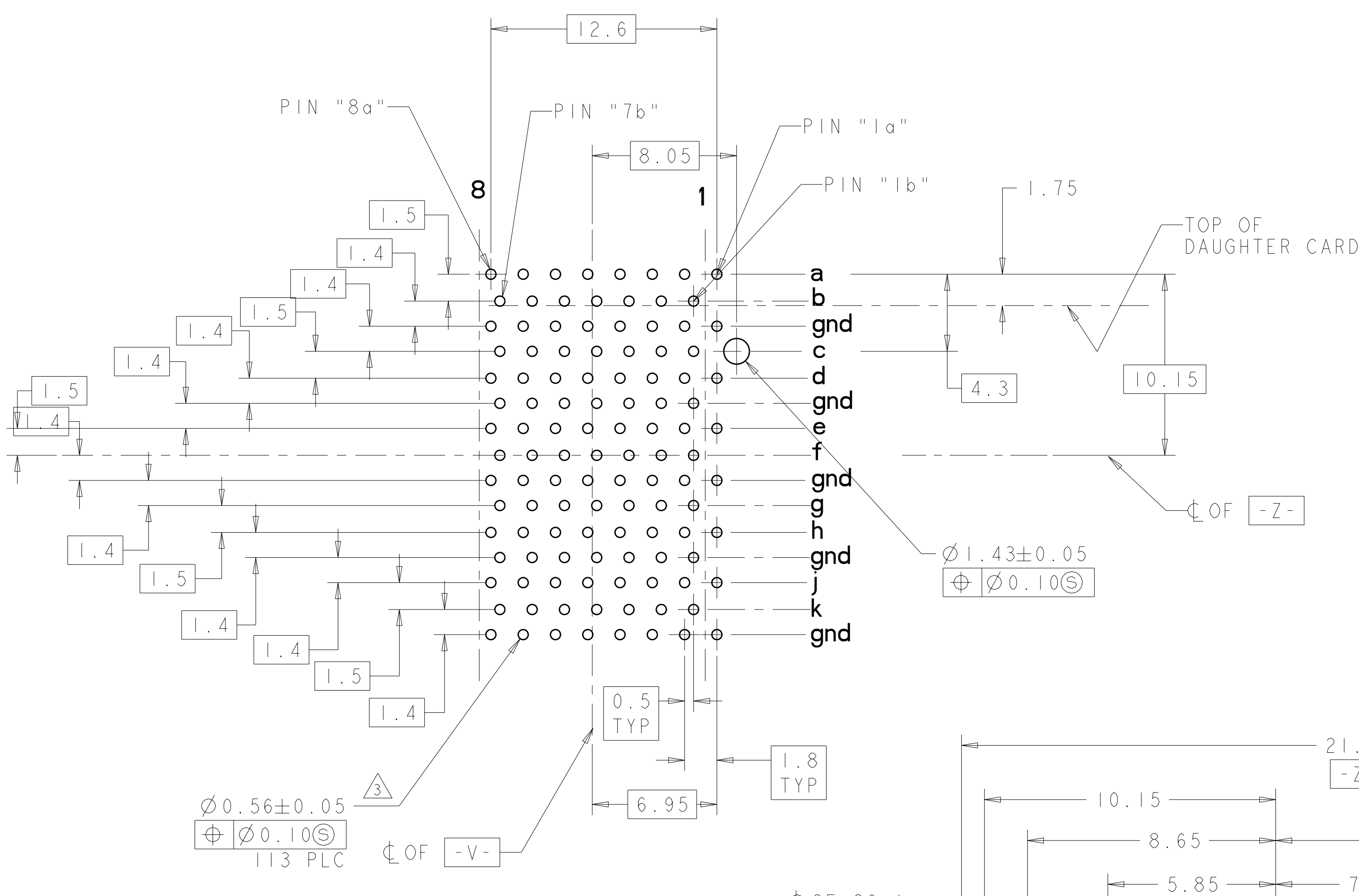
Tel: +86-755-8981 8866 Fax: +86-755-8427 6832

Email & Skype: info@chipsmall.com Web: www.chipsmall.com

Address: A1208, Overseas Decoration Building, #122 Zhenhua RD., Futian, Shenzhen, China



REVISONS		DATE	DWN	APVD
A	EC 0512-0341-04	29JUL2004	BW	GG
B	REV PER ECO-11-003264	25AUG2011	RG	AS



- △ HOUSING: LCP, UL94V-0, BLACK.  
CONTACT: PHOSPHOR BRONZE.
- △ 1.27µm GOLD PER ASTM B 488 IN CONTACT AREA, 1.27µm MIN TIN-LEAD ON PCB TAIL, OVER 3.81µm MIN NICKEL PER SAE AMS-QQ-N-290 OVER ALL.
- △ MANUFACTURING TOLERANCE FOR Ø0.56 ±0.05 DIAMETER FINISHED HOLE:  
DRILLED HOLE: Ø0.65 ±0.02  
COPPER PLATING: 0.050 - 0.025  
TIN-LEAD PLATING: 0.0124 - 0.0038.
- △ 1.27 µm GOLD PER ASTM B 488 IN CONTACT AREA, 1.27 µm MIN MATTE TIN PER ASTM B 545 ON PCB TAIL, OVER 3.81 µm MIN NICKEL PER SAE AMS-QQ-N-290 OVER ALL.
- △ MANUFACTURING TOLERANCE FOR A Ø 0.575 ±0.045 FINISHED HOLE WITHOUT TIN LEAD PLATING:  
DRILLED HOLE: Ø0.65 ±0.02  
COPPER PLATING: 0.025 - 0.050

△ 4	△ 5	1410231-2
△ 2	△ 3	1410231-1
CONTACT TAIL/HOLE FINISH		PART NO

DIMENSIONS: mm TOLERANCES UNLESS OTHERWISE SPECIFIED: 9 PLC ±0.5 7 PLC ±0.13 5 PLC ±0.13 4 PLC ±0.13 ANGLES ±1°		DWN: VAN SCOPE CHK: N. RESEAR APVD: D. DEBRAUGH PRODUCT SPEC: 108-2072 APPLICATION SPEC: 114-13056 WEIGHT: - CUSTOMER DRAWING	24SEP2001 24SEP2001 24SEP2001 114-13056 - SCALE 8:1	Tyco Electronics Harrisburg, PA 17105-3608 NAME: VERTICAL RECEPTACLE ASSEMBLY, LEFT END, HALF, 25.4 mm MultiGig RT-1, BACKPLANE CONNECTOR SIZE: A11 CAGE CODE: 00779 DRAWING NO: 1410231 SHEET 1 OF 1 REV B
---	--	---	--	--