



Chipsmall Limited consists of a professional team with an average of over 10 year of expertise in the distribution of electronic components. Based in Hongkong, we have already established firm and mutual-benefit business relationships with customers from,Europe,America and south Asia,supplying obsolete and hard-to-find components to meet their specific needs.

With the principle of "Quality Parts,Customers Priority,Honest Operation,and Considerate Service",our business mainly focus on the distribution of electronic components. Line cards we deal with include Microchip,ALPS,ROHM,Xilinx,Pulse,ON,Everlight and Freescale. Main products comprise IC,Modules,Potentiometer,IC Socket,Relay,Connector.Our parts cover such applications as commercial,industrial, and automotives areas.

We are looking forward to setting up business relationship with you and hope to provide you with the best service and solution. Let us make a better world for our industry!



Contact us

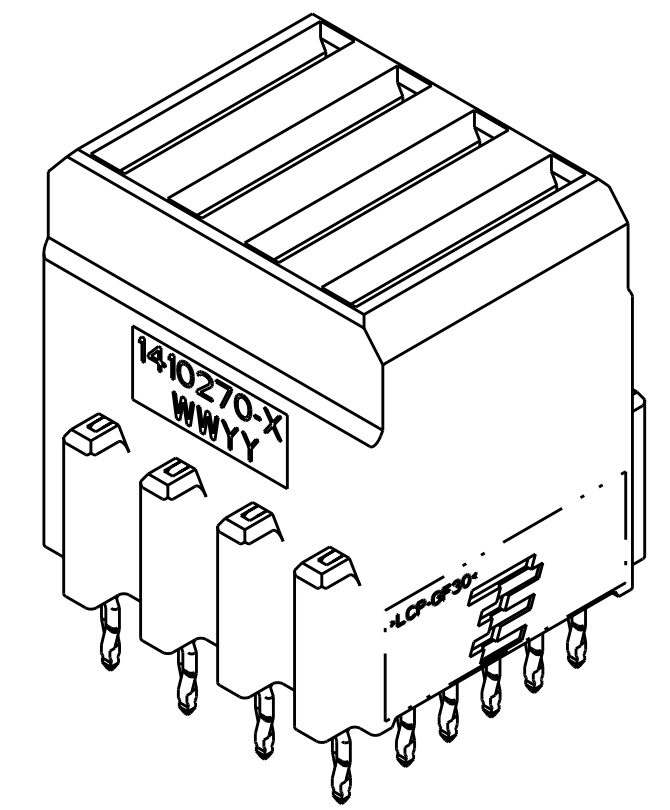
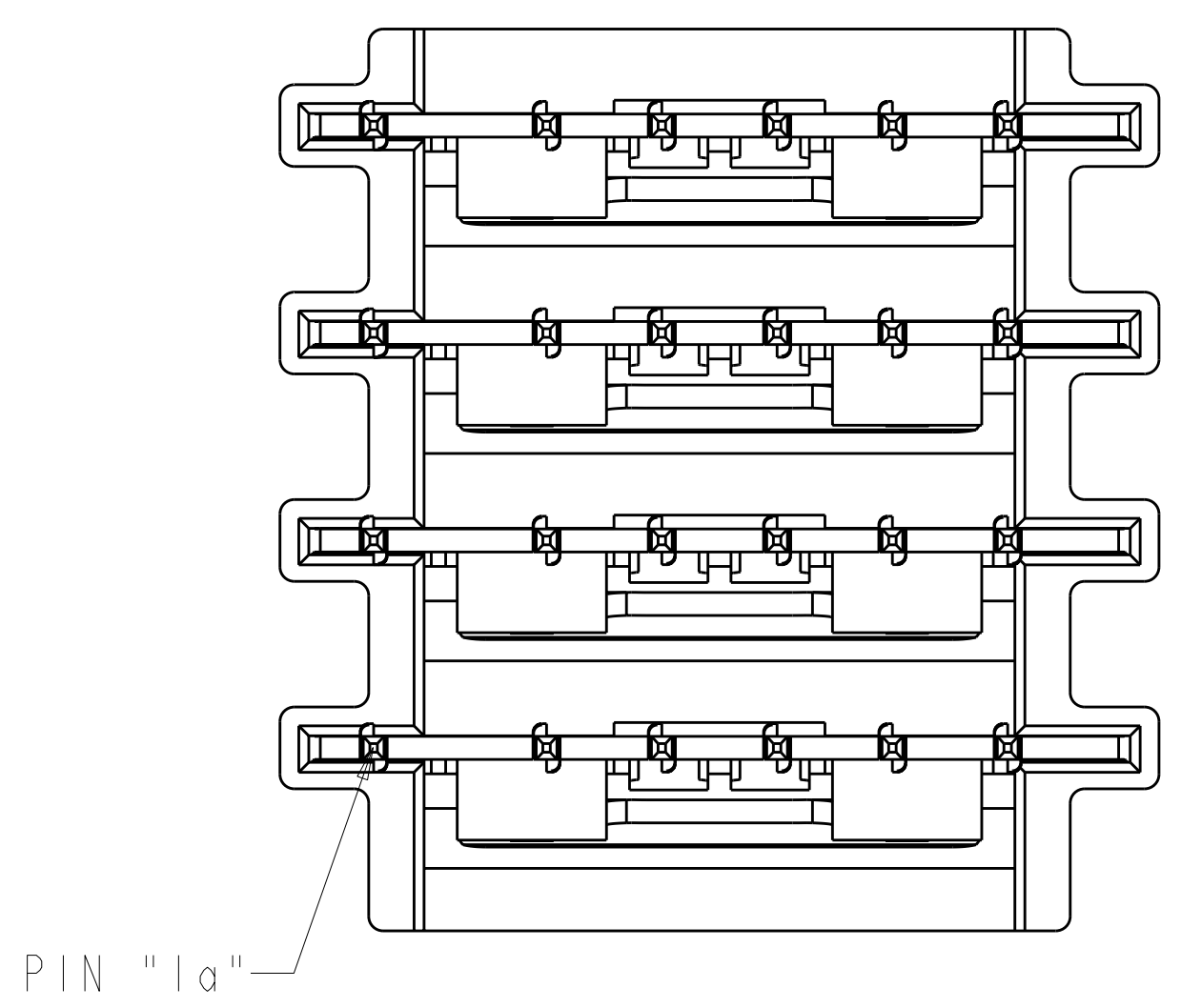
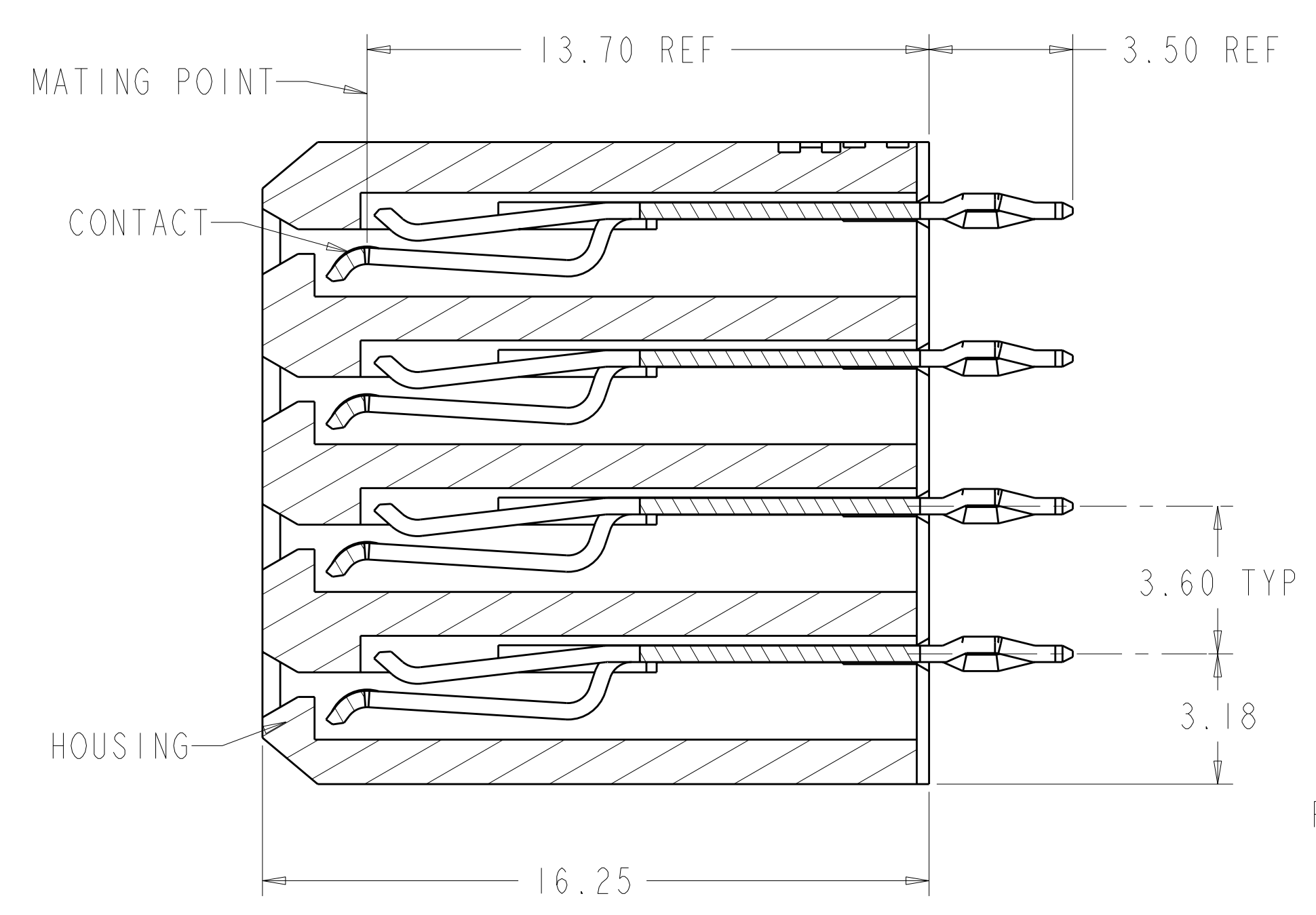
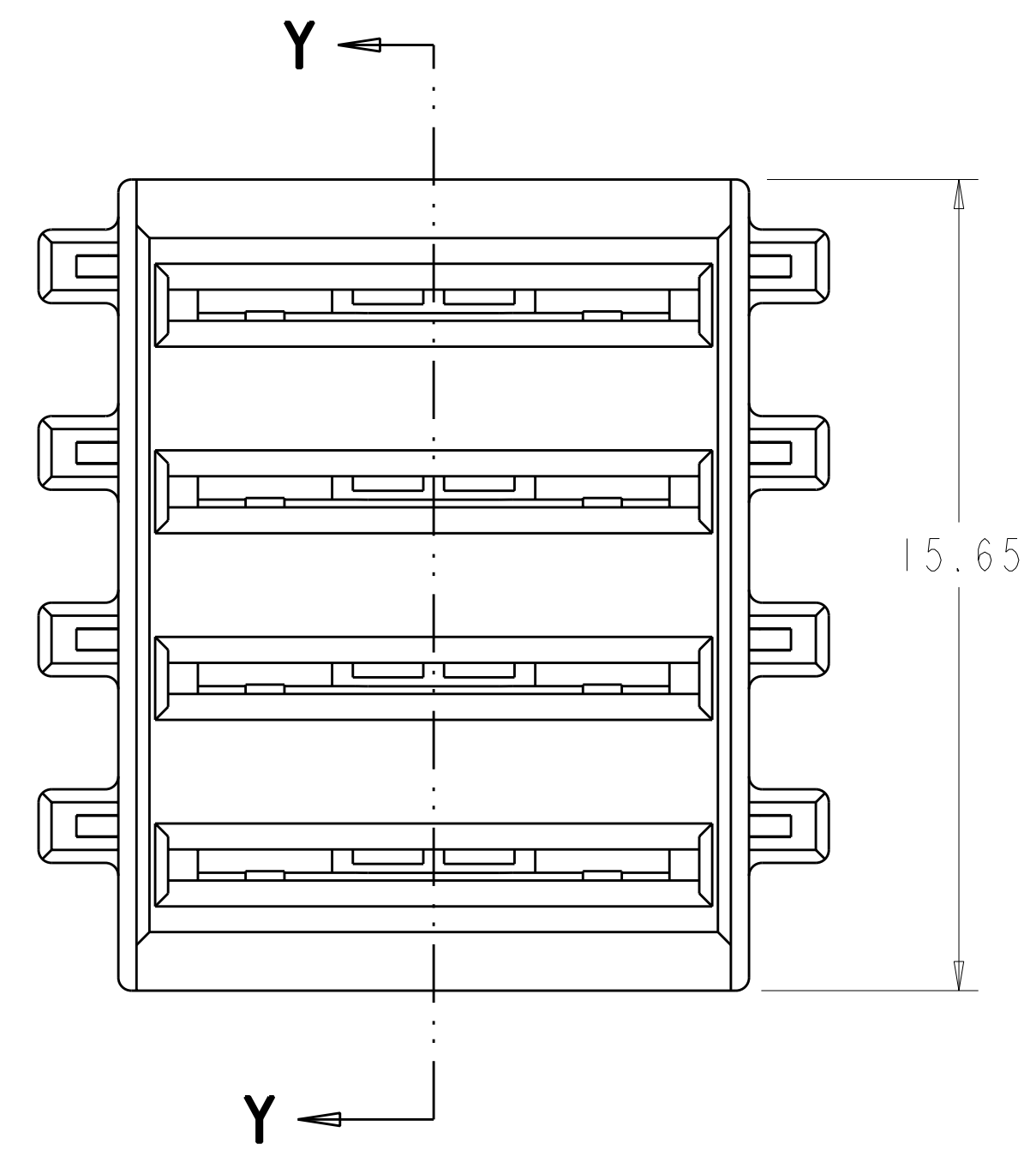
Tel: +86-755-8981 8866 Fax: +86-755-8427 6832

Email & Skype: info@chipsmall.com Web: www.chipsmall.com

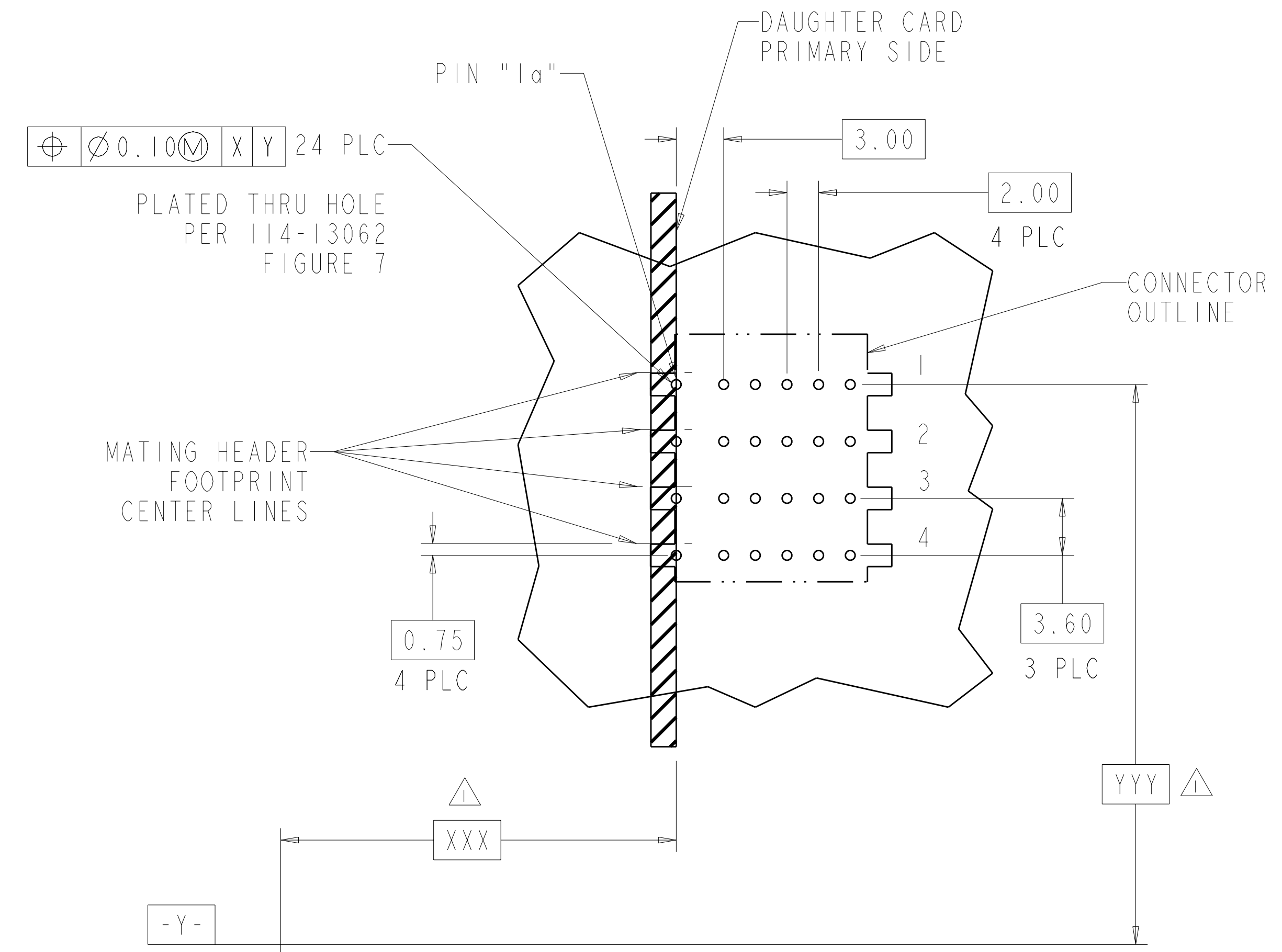
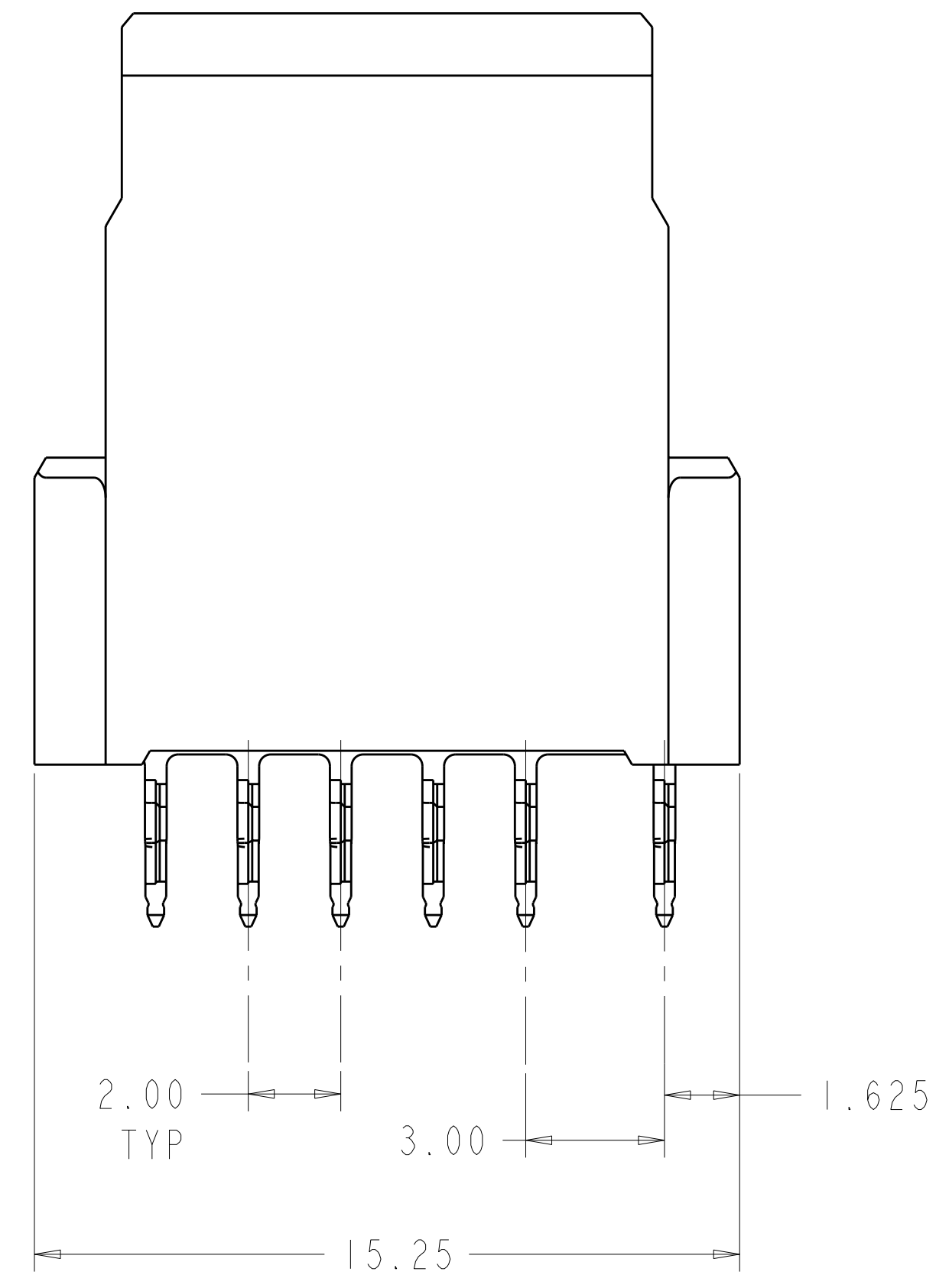
Address: A1208, Overseas Decoration Building, #122 Zhenhua RD., Futian, Shenzhen, China



LOC	DIST	REV	DATE	BY	APPD
AD	00	A2	24APR2012	KH	AS



SCALE 4:1



RECOMMENDED PCB HOLE LAYOUT
 BACKPLANE
 PRIMARY SIDE
 SCALE 4:1

- △ DIMENSIONS PER CUSTOMER BOARD LAYOUT
- △ FINISH: 1.27μm MIN GOLD IN CONTACT AREA, 1.27μm MIN TIN-LEAD ON PCB TAIL, OVER 1.27μm MIN NICKEL OVER ALL.
- △ FINISH: 1.27μm MIN GOLD IN CONTACT AREA, 1.27μm MIN TIN ON PCB TAIL, OVER 1.27μm MIN NICKEL OVER ALL.
- 4. HOUSING: LCP, UL94V-0, BLACK
 CONTACT: PHOSPHOR BRONZE

△	1410270-2
△	1410270-1
PLATING	PART NUMBER

THIS DRAWING IS A CONTROLLED DOCUMENT.		DWN	L. A. MAYER	09SEP2000
DIMENSIONS:		CHK	S. WELLER	09SEP2000
mm	9 PLC ±0.3	APPD	S. FLICKINGER	09SEP2000
	1 PLC ±0.3	PRODUCT SPEC		
	3 PLC ±0.25	APPLICATION SPEC		
	4 PLC ±0.25	WEIGHT		
	ANGLES ±1°	FINISH		
MATERIAL	△	△		
CUSTOMER DRAWING		SCALE	8:1	SHEET 1 OF 1

STE TE Connectivity	
NAME ASSEMBLY, POWER, VERTICAL RECEPTACLE, 4 CAVITY, 20.3mm, MULTIGIG	
SIZE	A1
CAGE CODE	00779
DRAWING NO	C=1410270
RESTRICTED TO	