



Chipsmall Limited consists of a professional team with an average of over 10 year of expertise in the distribution of electronic components. Based in Hongkong, we have already established firm and mutual-benefit business relationships with customers from,Europe,America and south Asia,supplying obsolete and hard-to-find components to meet their specific needs.

With the principle of "Quality Parts,Customers Priority,Honest Operation,and Considerate Service",our business mainly focus on the distribution of electronic components. Line cards we deal with include Microchip,ALPS,ROHM,Xilinx,Pulse,ON,Everlight and Freescale. Main products comprise IC,Modules,Potentiometer,IC Socket,Relay,Connector.Our parts cover such applications as commercial,industrial, and automotives areas.

We are looking forward to setting up business relationship with you and hope to provide you with the best service and solution. Let us make a better world for our industry!



## Contact us

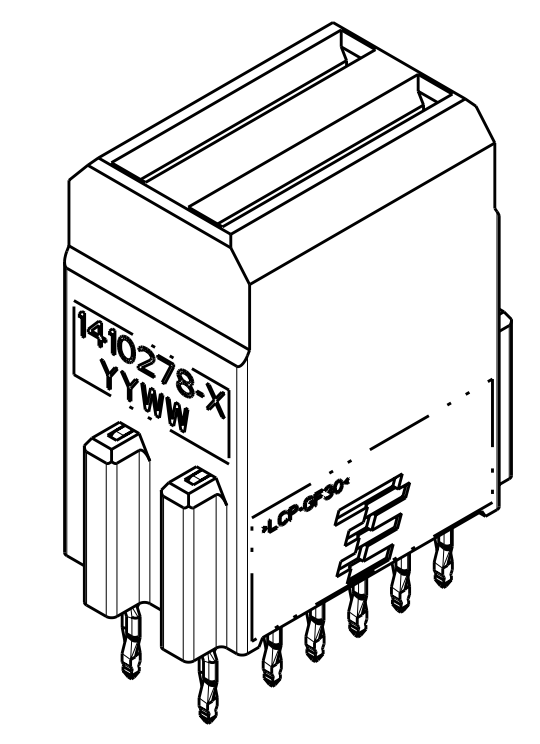
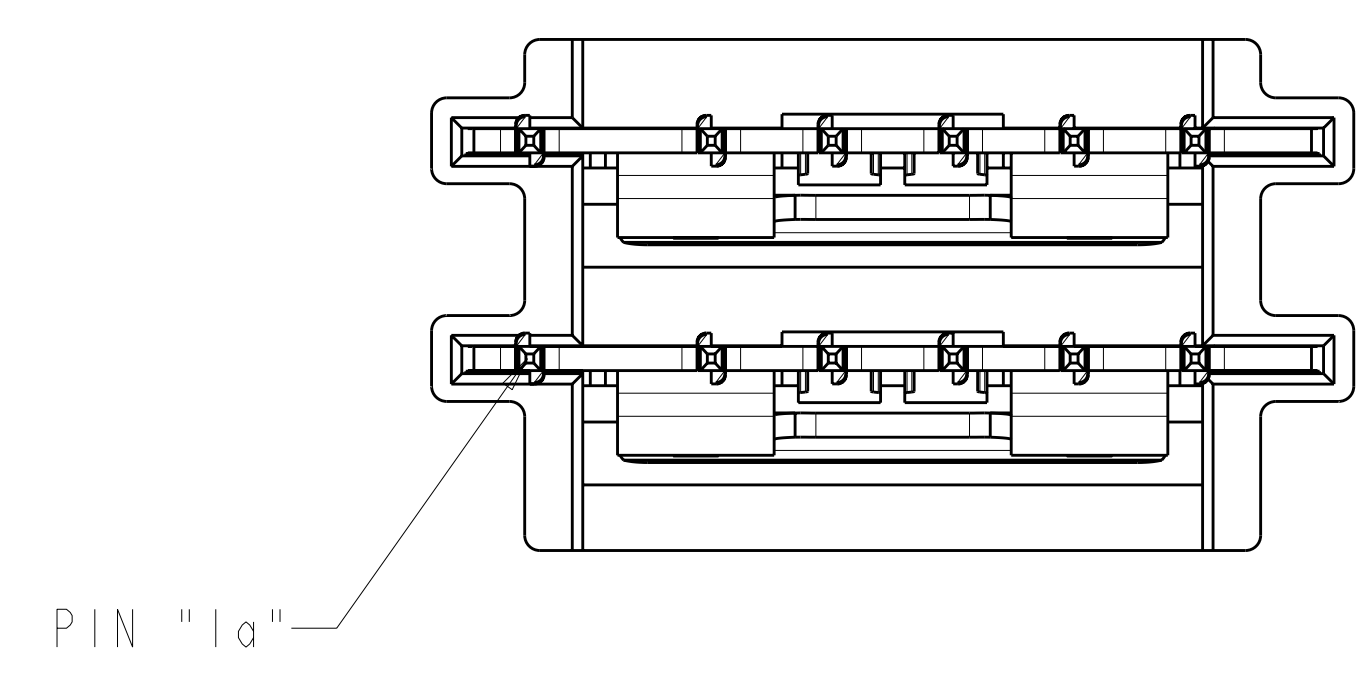
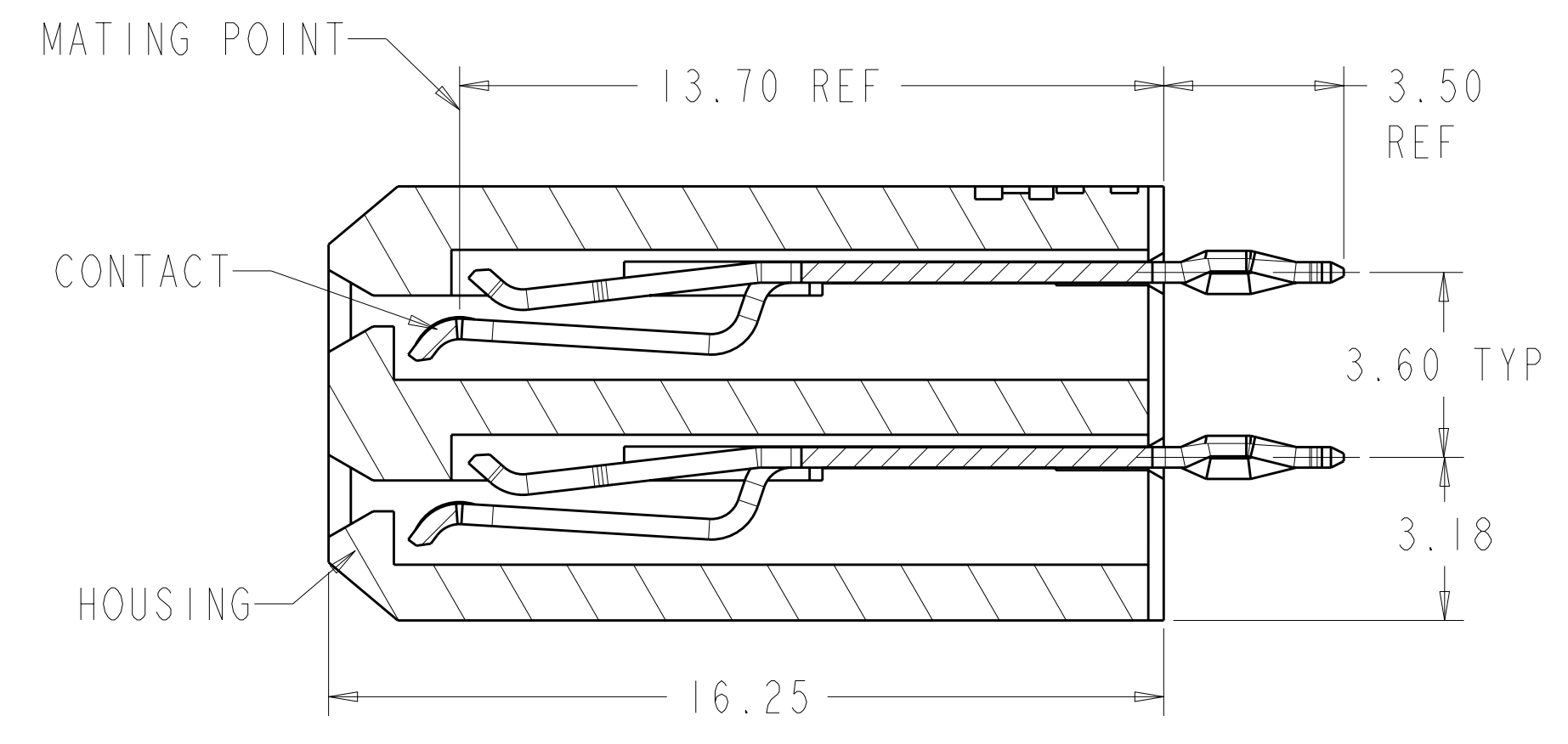
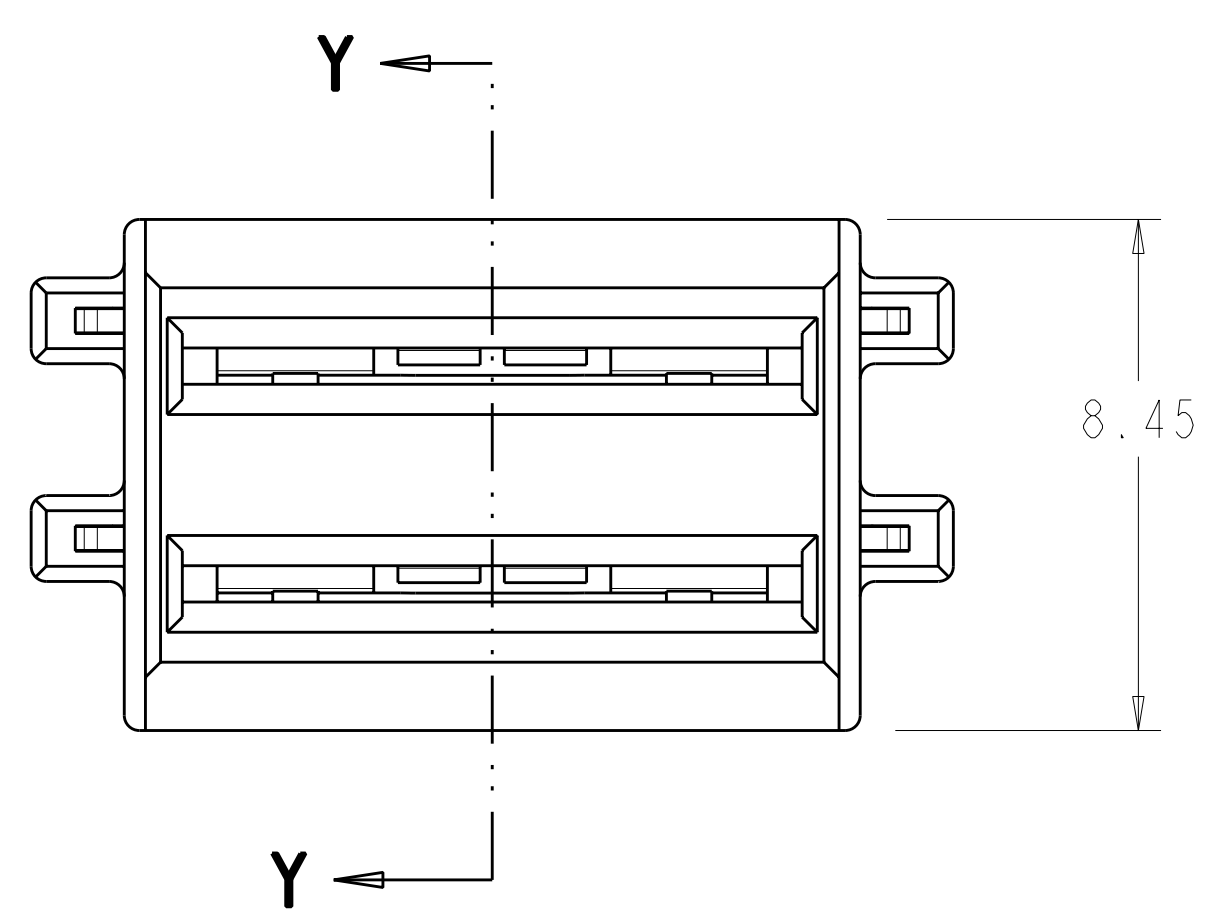
Tel: +86-755-8981 8866 Fax: +86-755-8427 6832

Email & Skype: info@chipsmall.com Web: www.chipsmall.com

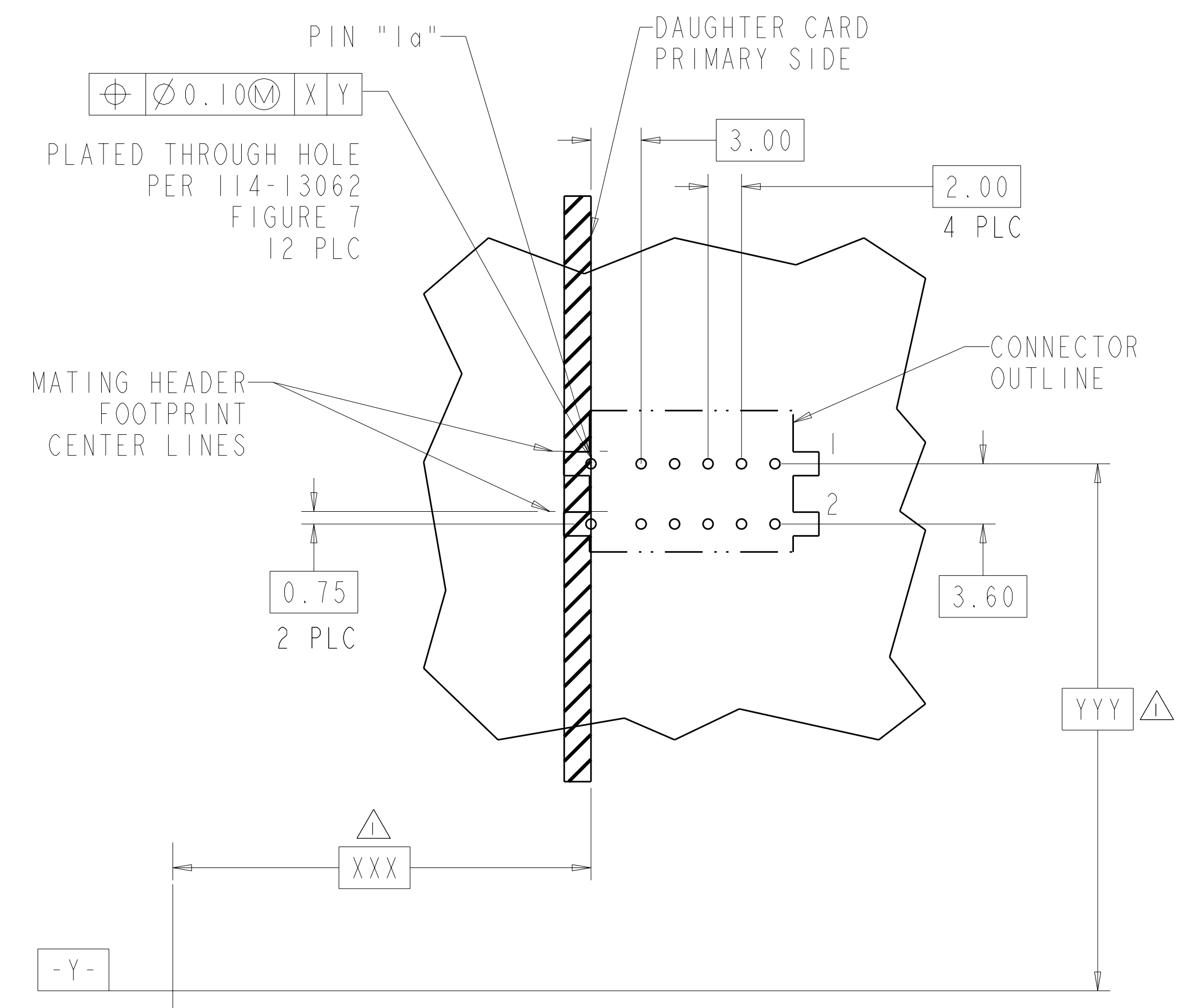
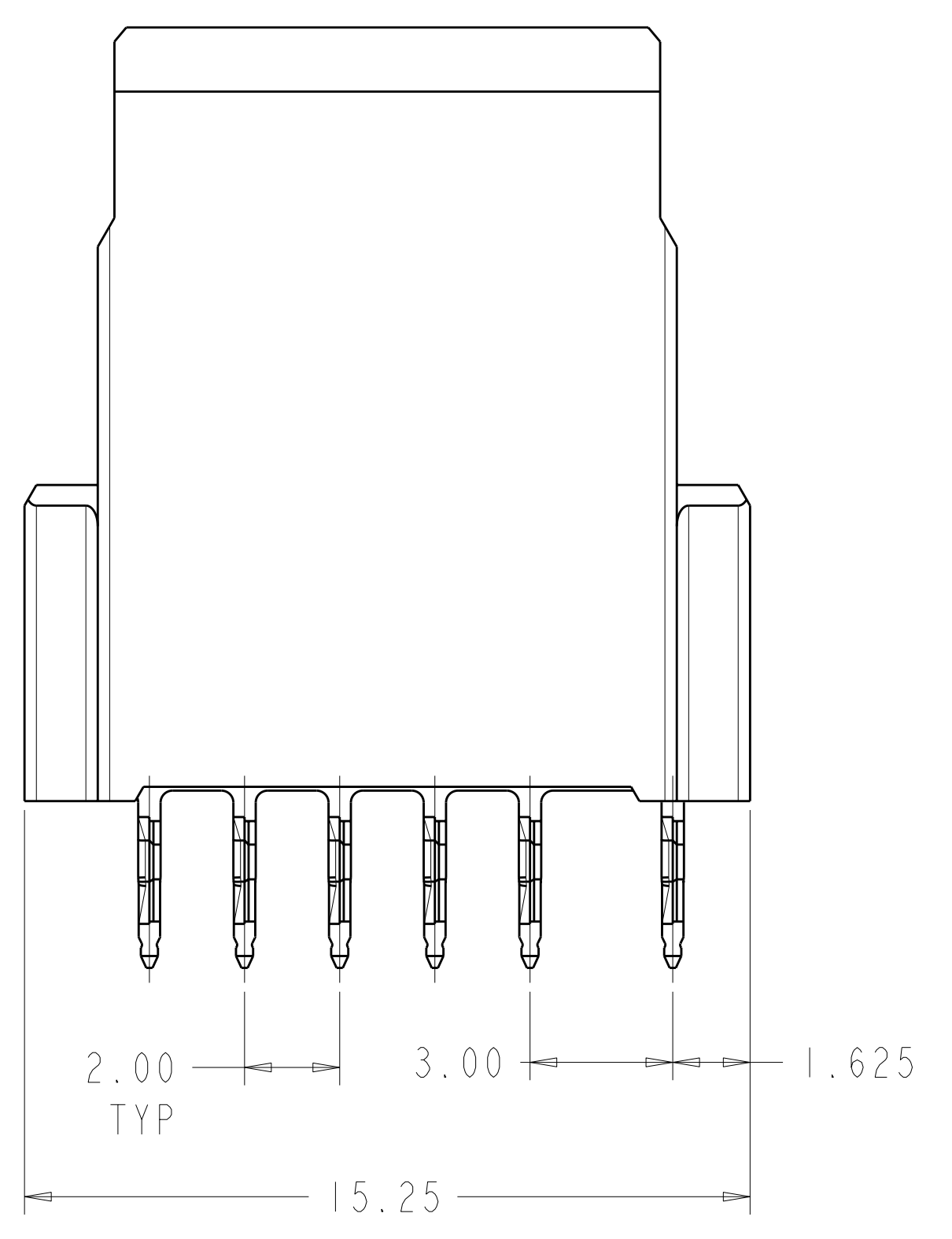
Address: A1208, Overseas Decoration Building, #122 Zhenhua RD., Futian, Shenzhen, China



LOC	DIST	REV	DATE	BY	APPD
AD	00	A2	24APR2012	KH	AS



SCALE 4:1



RECOMMENDED PCB HOLE LAYOUT  
BACKPLANE  
PRIMARY SIDE  
SCALE 4:1

- 1 DIMENSIONS PER CUSTOMER BOARD LAYOUT
- 2 FINISH: 1.27mm MIN GOLD IN CONTACT AREA, 1.27mm MIN TIN-LEAD ON PCB TAIL, OVER 1.27mm MIN NICKEL OVER ALL.
- 3 HOUSING: LCP, UL94V-0, BLACK CONTACT: PHOSPHOR BRONZE
- 4 FINISH: 1.27 μm MIN GOLD IN CONTACT AREA, 1.27 μm MIN TIN ON PCB TAIL, OVER 1.27 μm MIN NICKEL OVER ALL.

1	1410278-2
2	1410278-1
PART NUMBER	

THIS DRAWING IS A CONTROLLED DOCUMENT.		DWN: S.WELLER 02NOV2000	<b>STE</b> TE Connectivity	
DIMENSIONS: mm		CHK: S.WELLER 02NOV2000		
TOLERANCES UNLESS OTHERWISE SPECIFIED:		APVD: D.HELSTER 02NOV2000	NAME: ASSEMBLY, POWER, VERTICAL RECEPTACLE, 2 CAVITY, 20.3mm, MULTIGIG	
9 PLC ±0.3		PRODUCT SPEC: 108-2062	SIZE: A1	
2 PLC ±0.25		APPLICATION SPEC: 114-13062	CAGE CODE: 00779	
3 PLC ±0.25		WEIGHT: -	DRAWING NO: 1410278	
4 PLC ±0.25		FINISH: -	RESTRICTED TO: -	
ANGLES ±1°		CUSTOMER DRAWING	SCALE: 8:1 SHEET 1 OF 1 REV: A2	