



Chipsmall Limited consists of a professional team with an average of over 10 year of expertise in the distribution of electronic components. Based in Hongkong, we have already established firm and mutual-benefit business relationships with customers from,Europe,America and south Asia,supplying obsolete and hard-to-find components to meet their specific needs.

With the principle of "Quality Parts,Customers Priority,Honest Operation,and Considerate Service",our business mainly focus on the distribution of electronic components. Line cards we deal with include Microchip,ALPS,ROHM,Xilinx,Pulse,ON,Everlight and Freescale. Main products comprise IC,Modules,Potentiometer,IC Socket,Relay,Connector.Our parts cover such applications as commercial,industrial, and automotives areas.

We are looking forward to setting up business relationship with you and hope to provide you with the best service and solution. Let us make a better world for our industry!



Contact us

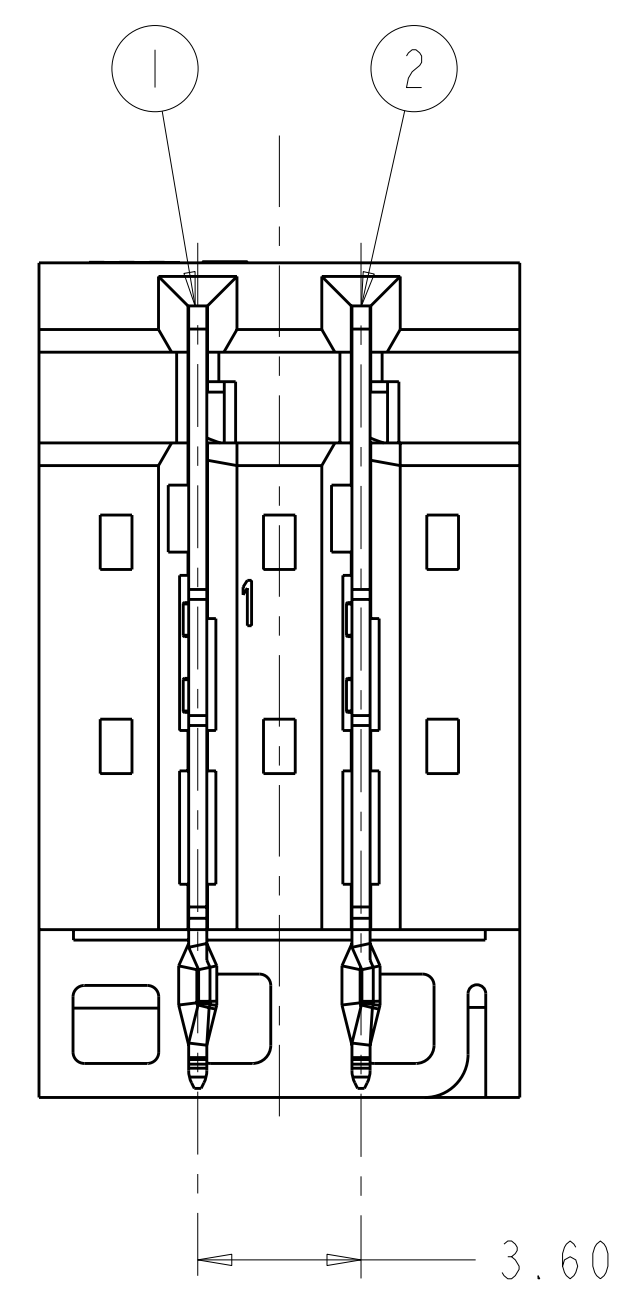
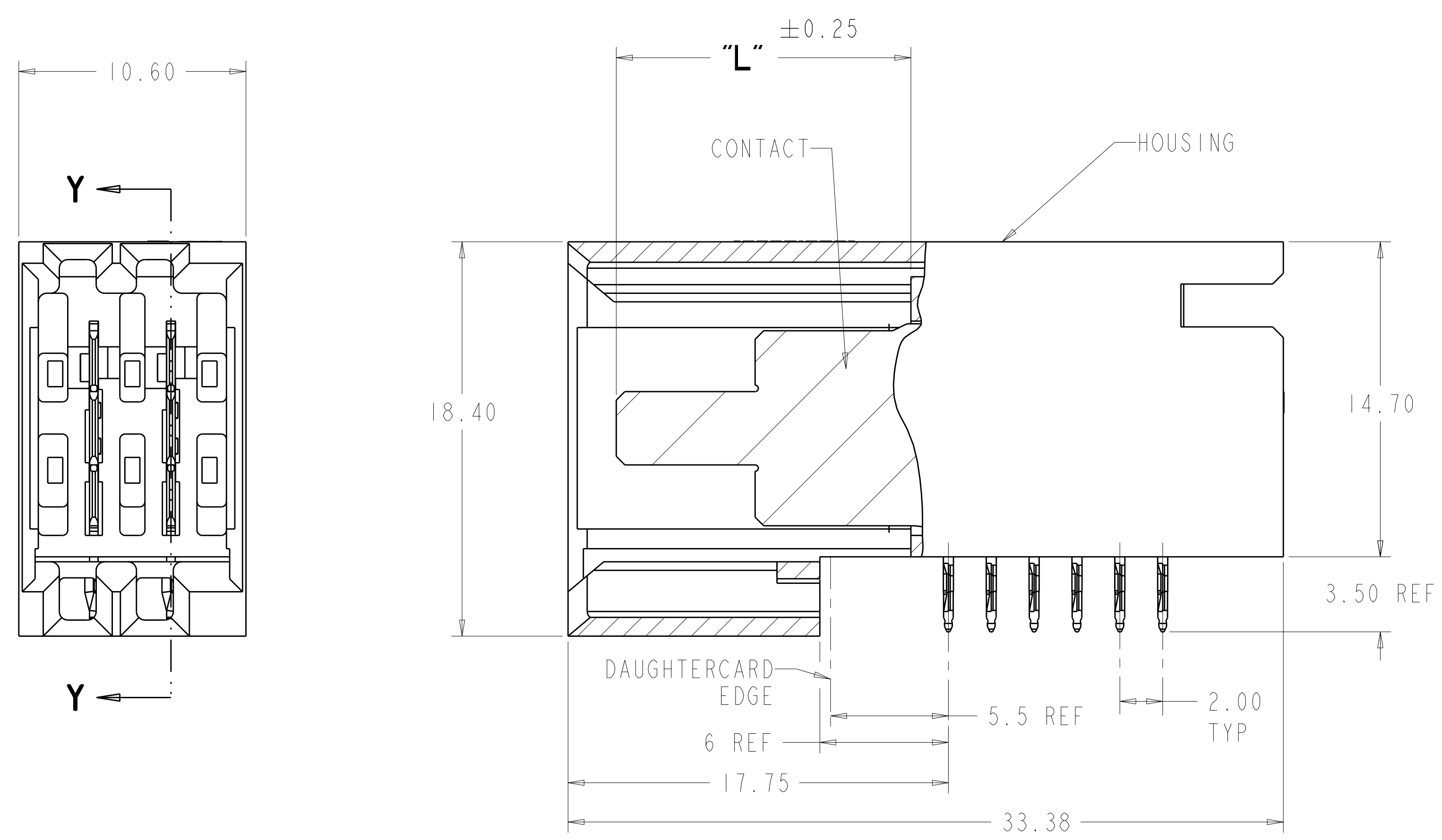
Tel: +86-755-8981 8866 Fax: +86-755-8427 6832

Email & Skype: info@chipsmall.com Web: www.chipsmall.com

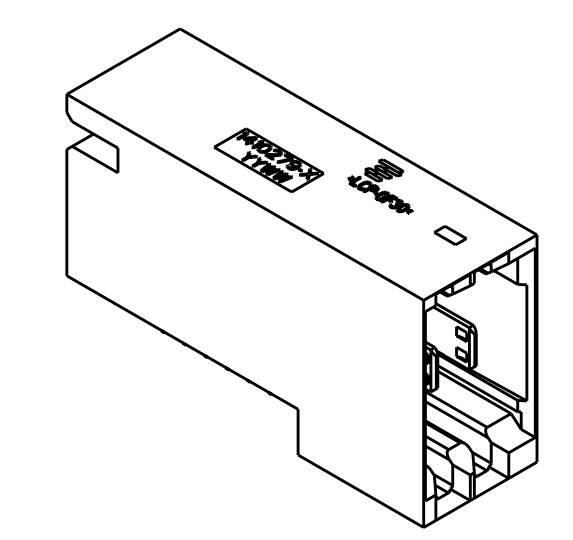
Address: A1208, Overseas Decoration Building, #122 Zhenhua RD., Futian, Shenzhen, China



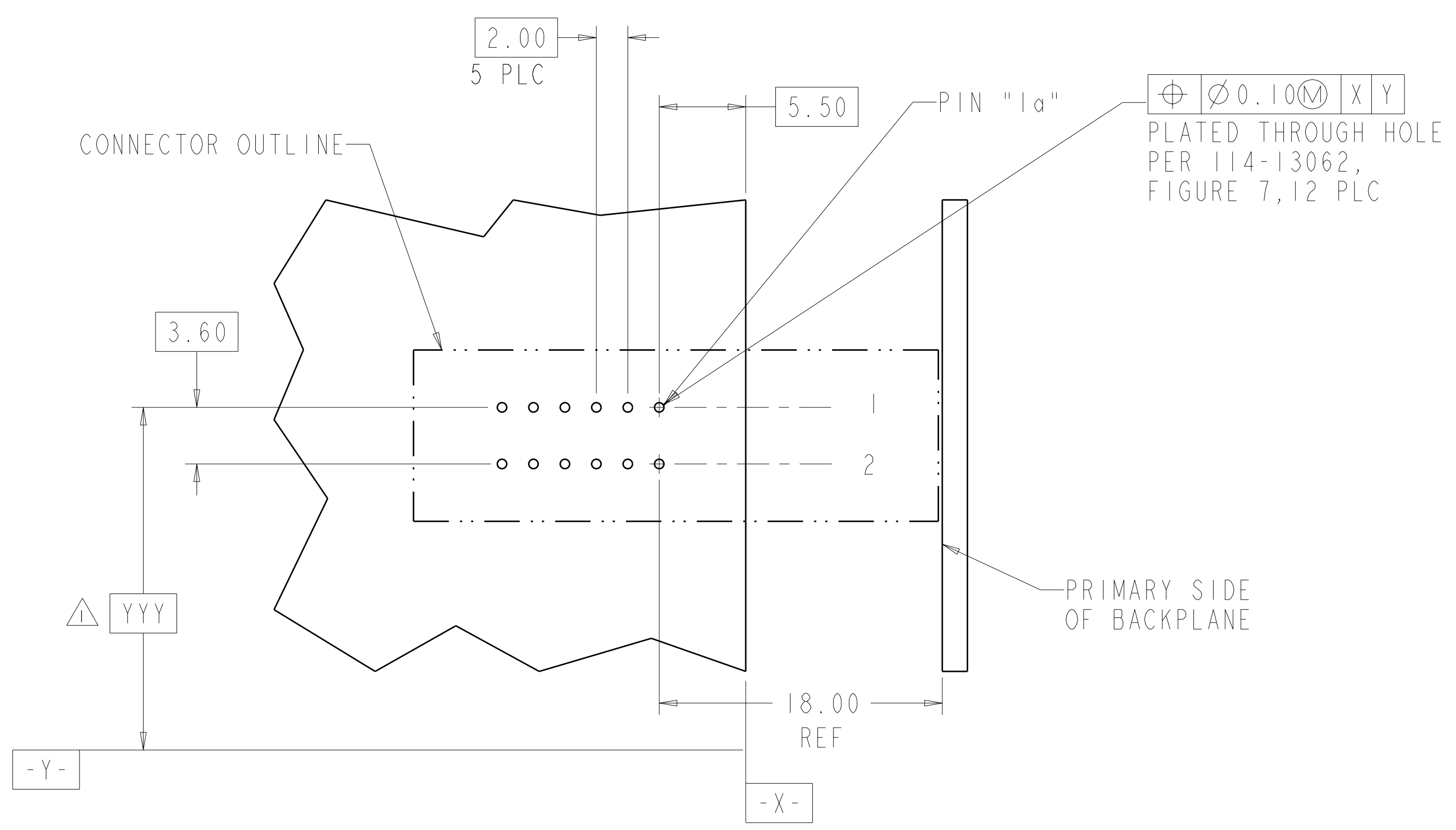
LOC	DIST	REV	DATE	BY	APPD
AD	00				
		A3	24APR2012	KH	AS



- △ DIMENSIONS PER CUSTOMER BOARD LAYOUT
- △ FINISH: 1.27μM MIN GOLD IN CONTACT AREA, 1.27μM MIN TIN-LEAD ON PCB TAIL, OVER 1.27μM MIN NICKEL OVER ALL.
- △ HOUSING: LCP, UL94V-0, BLACK CONTACT: PHOSPHOR BRONZE
- △ FINISH: 1.27 μm MIN GOLD IN CONTACT AREA, 1.27 μm MIN TIN ON PCB TAIL, OVER 1.27 μm MIN NICKEL OVER ALL.
- △ OBSOLETE PARTS: OBSOLETE CIS STREAMLINING PER D.RENAUD/D.SINISI



SCALE 2:1



RECOMMENDED PCB HOLE LAYOUT DAUGHTER CARD PRIMARY SIDE SCALE 4:1

- △ SUPERSEDED BY 1-1410279-2
- △ SUPERSEDED BY 1-1410279-0
- △ SUPERSEDED BY 1410279-9

FINISH	CIRCUIT ID #2 "L"	CIRCUIT ID #1 "L"	PART NUMBER
△ 4	12.25	12.25	1-1410279-2
	10.75	12.25	1-1410279-1
	10.75	10.75	1-1410279-0
	10.75	13.75	1410279-9
	12.25	13.75	1410279-8
	13.75	13.75	1410279-7
△ 2	12.25	12.25	+410279-6
	10.75	12.25	1410279-5
	10.75	10.75	+410279-4
	10.75	13.75	+410279-3
	12.25	13.75	1410279-2
	13.75	13.75	1410279-1

THIS DRAWING IS A CONTROLLED DOCUMENT.

DIMENSIONS: mm	TOLERANCES UNLESS OTHERWISE SPECIFIED: 9 PLC ±, 2 PLC ±0.3, 5 PLC ±0.25, 4 PLC ±, ANGLES ±	DWN: S.WELLER 02NOV2000	CHK: S.WELLER 02NOV2000	APVD: D.HELSTER 02NOV2000	NAME: ASSEMBLY, POWER, RIGHT ANGLE HEADER, 2 CAVITY, 20.3mm MULTIGIG
MATERIAL: 3	FINISH: #1*	PRODUCT SPEC: 108-2062	APPLICATION SPEC: 114-13062	WEIGHT: -	SIZE: A1
CUSTOMER DRAWING		SCALE: 6:1	SHEET: 1 OF 1	REV: A3	RESTRICTED TO: -