



Chipsmall Limited consists of a professional team with an average of over 10 year of expertise in the distribution of electronic components. Based in Hongkong, we have already established firm and mutual-benefit business relationships with customers from,Europe,America and south Asia,supplying obsolete and hard-to-find components to meet their specific needs.

With the principle of “Quality Parts,Customers Priority,Honest Operation,and Considerate Service”,our business mainly focus on the distribution of electronic components. Line cards we deal with include Microchip,ALPS,ROHM,Xilinx,Pulse,ON,Everlight and Freescale. Main products comprise IC,Modules,Potentiometer,IC Socket,Relay,Connector.Our parts cover such applications as commercial,industrial, and automotives areas.

We are looking forward to setting up business relationship with you and hope to provide you with the best service and solution. Let us make a better world for our industry!



## Contact us

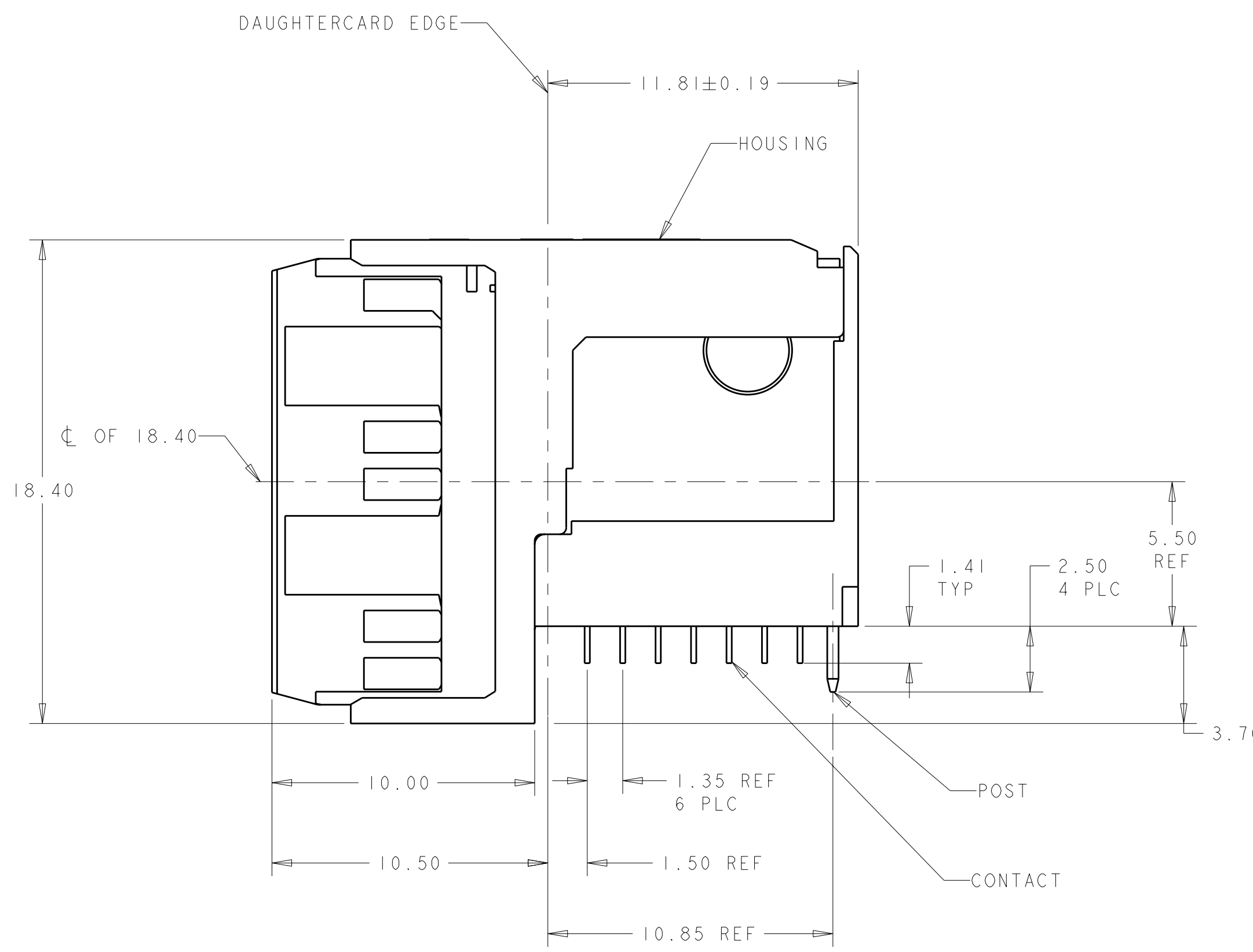
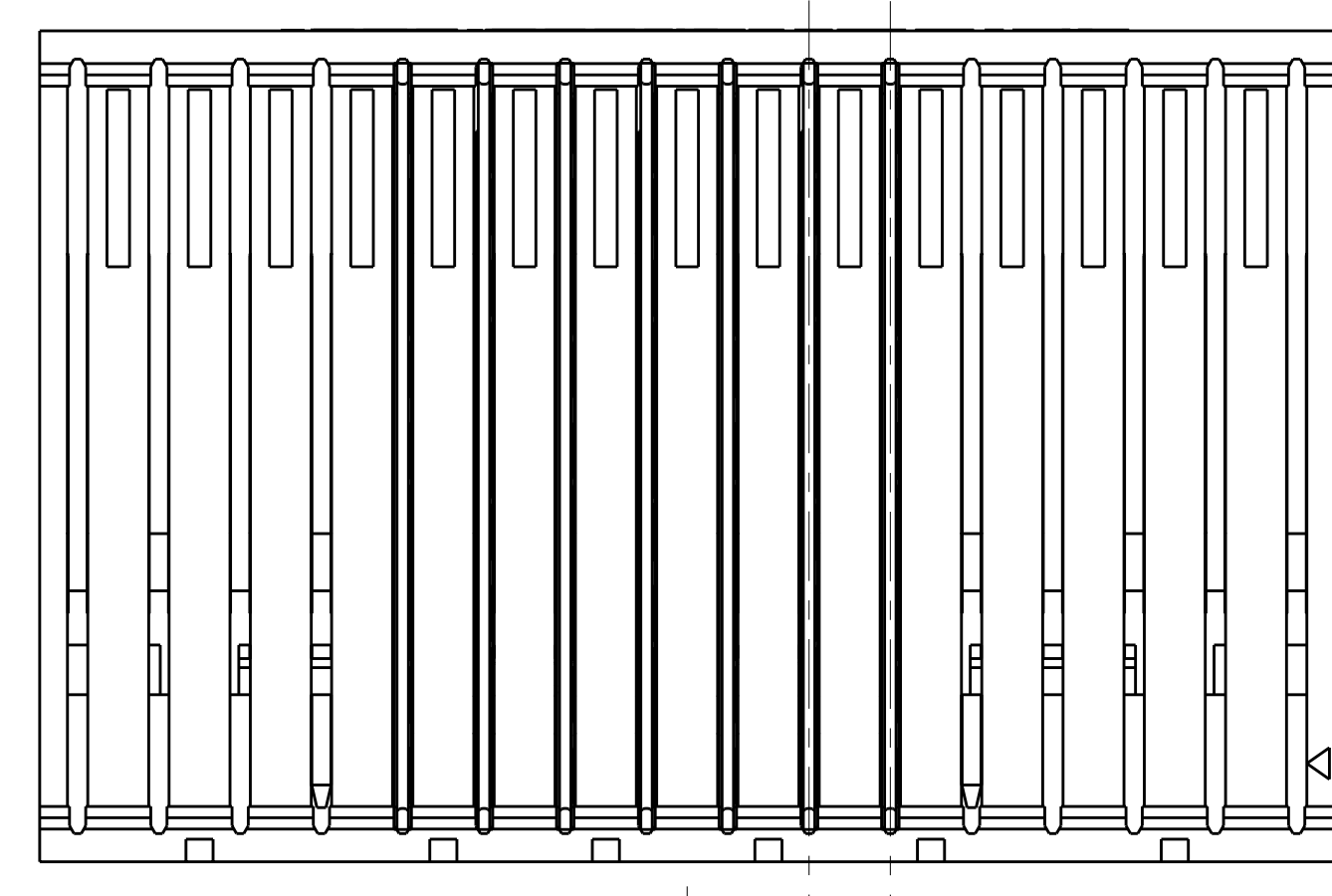
Tel: +86-755-8981 8866 Fax: +86-755-8427 6832

Email & Skype: info@chipsmall.com Web: www.chipsmall.com

Address: A1208, Overseas Decoration Building, #122 Zhenhua RD., Futian, Shenzhen, China



LOC	DIST	REV	DATE	BY	APPD
GP	00	A1	04MAY2012	KH	AS
REVISIONS			DESCRIPTION	DATE	DWN
GP 00			REVISED PER ECO-12-008364	04MAY2012	KH AS



- 1 HOUSING: LCP, UL94V0, COLOR: BLACK.  
CONTACT: PHOSPHOR BRONZE.  
POST: BRASS WIRE
- 2 CONTACT: 0.76µm MIN GOLD IN PAD CONTACT AREA  
1.27µm MIN TIN-LEAD ON PCB TAIL  
OVER 1.27µm MIN NICKEL OVER ALL.  
POST: 1.27µm MIN NICKEL PLATED.
- 3 MANUFACTURING TOLERANCE FOR Ø0.46±0.05  
DIAMETER FINISHED HOLE WITH Sn /PB PLATING:  
DRILLED HOLE = Ø0.55±0.02  
COPPER PLATING = 0.025-0.050  
Sn /PB PLATING = 0.0038-0.0124  
OR  
MANUFACTURING TOLERANCE FOR Ø0.475±0.05  
DIAMETER FINISHED HOLE WITHOUT Sn /PB PLATING:  
DRILLED HOLE = Ø0.55±0.02  
COPPER PLATING = 0.025-0.050
- 4 SEE TABLE 1 FOR INTERCONNECTIONS TO  
BACKPLANE CONNECTOR.
- 5 CONTACT: 0.76µm MIN GOLD IN PAD CONTACT AREA  
1.27µm MIN TIN ON PCB TAIL OVER 1.27µm MIN  
NICKEL OVER ALL.  
POST: 1.27µm MIN NICKEL PLATED.

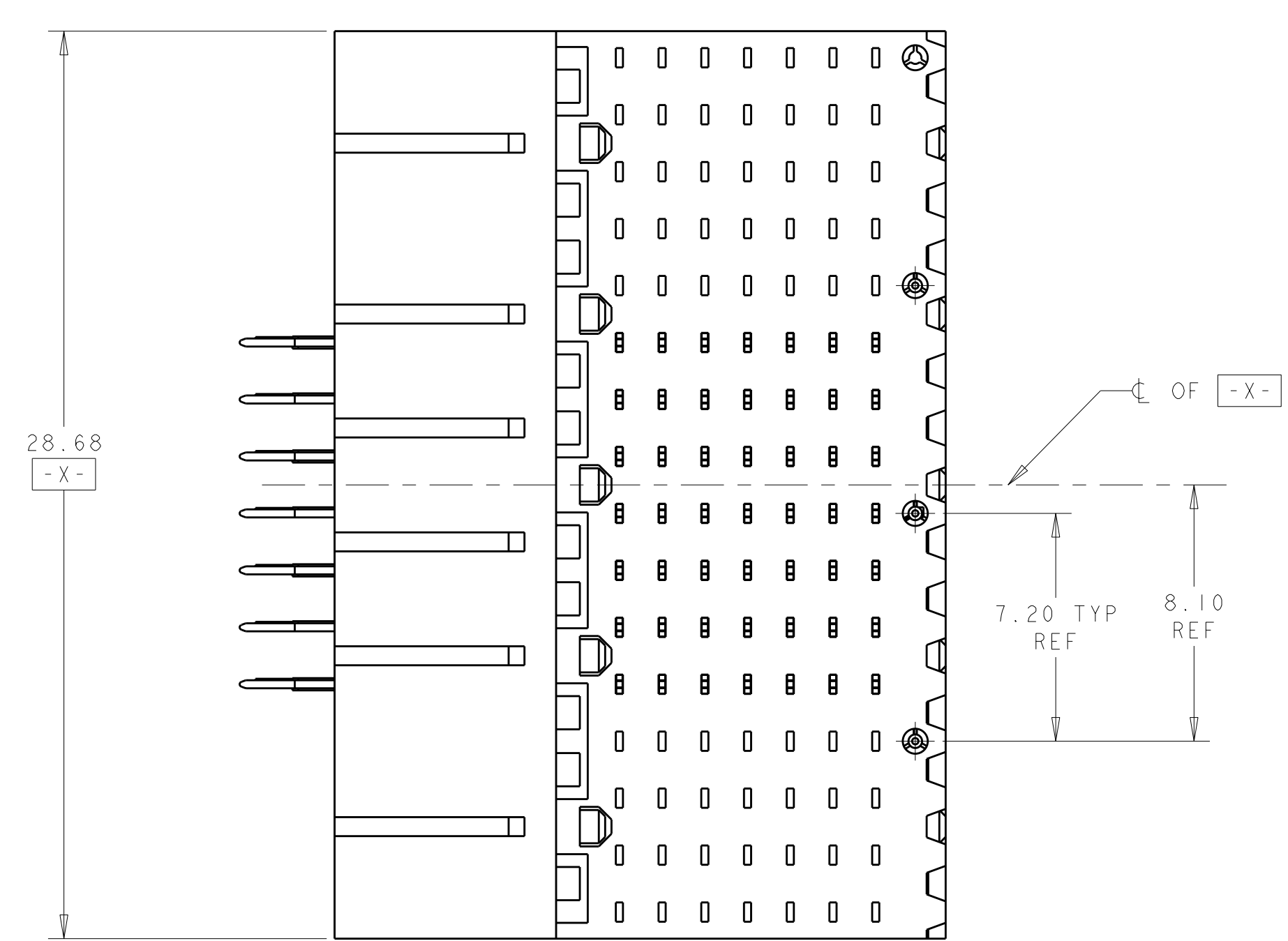
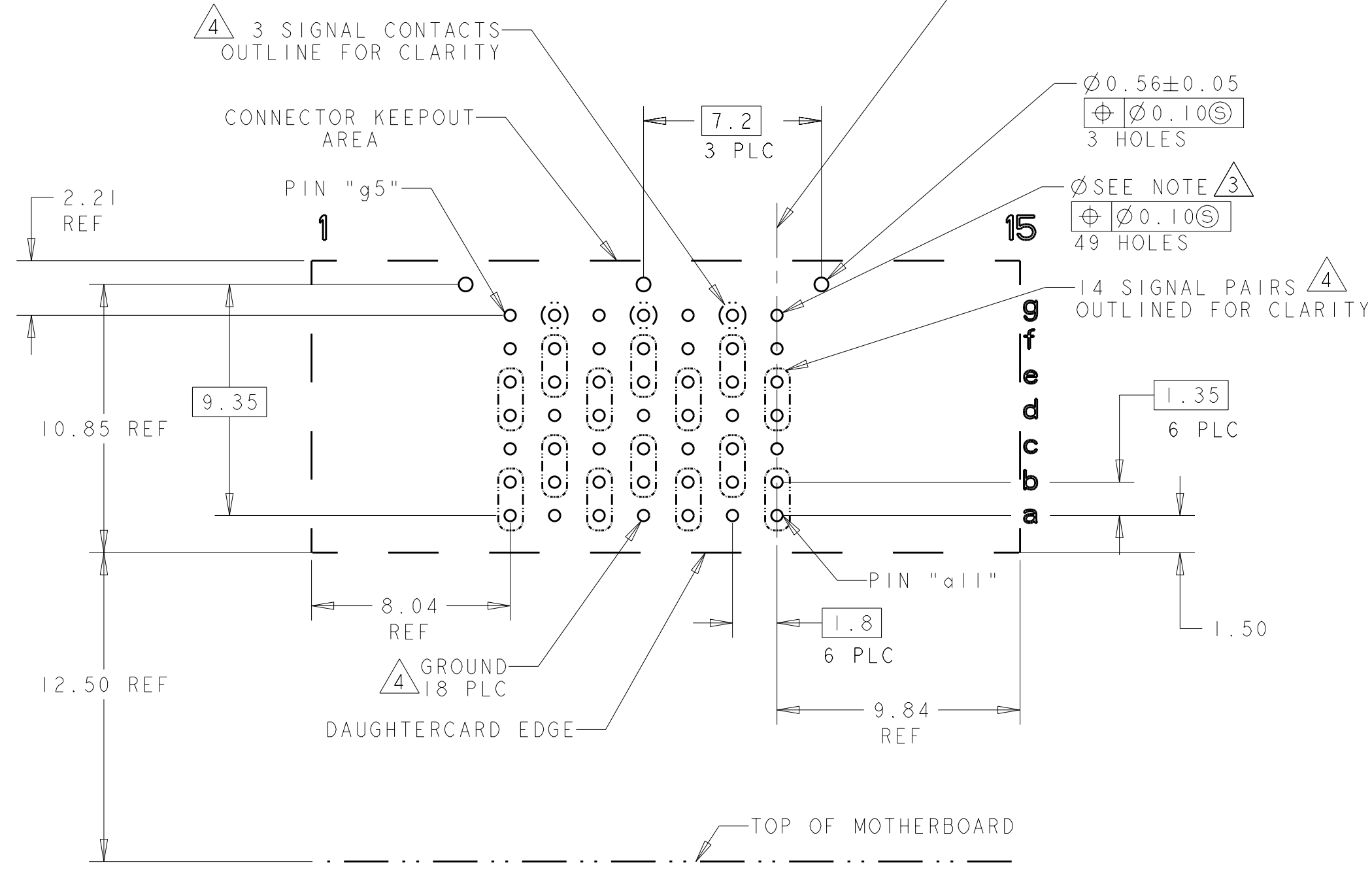
TABLE 1  
INTERCONNECTIONS WITH BACKPLANE CONNECTOR 1410140

TYPICAL INTERCONNECTIONS FOR EACH EVEN-NUMBERED COLUMN (WAFER): 6,8,10		
CONTACT USAGE	DAUGHTERCARD CONNECTOR PIN	BACKPLANE CONNECTOR PIN
SIGNAL PAIR	bx	cx
SIGNAL PAIR	cx	dx
SIGNAL PAIR	ex	gx
SIGNAL PAIR	fx	hx
GROUND	ax, dx, gx, (ALL COMMONED)	ax, bx, ex, fx, ix

TYPICAL INTERCONNECTIONS FOR EACH ODD-NUMBERED COLUMN (WAFER): 5,7,9,11		
CONTACT USAGE	DAUGHTERCARD CONNECTOR PIN	BACKPLANE CONNECTOR PIN
SIGNAL PAIR	ax	ax
SIGNAL PAIR	bx	bx
SIGNAL PAIR	dx	ex
SIGNAL PAIR	ex	fx
SIGNAL PAIR	gx	ix
GROUND	cx, fx (ALL COMMONED)	cx, dx, gx, hx

NOTE: "x" DESIGNATES THE COLUMN NUMBER



PC BOARD LAYOUT (CONNECTOR SIDE)  
SCALE 5:1

THIS DRAWING IS A CONTROLLED DOCUMENT.		DWN: B. CARBO 07SEP2006	1410303-2
DIMENSIONS: mm		CHK: G. GRIFFITH 07SEP2006	1410303-1
TOLERANCES UNLESS OTHERWISE SPECIFIED:		APPD: G. GRIFFITH 07SEP2006	PLATING PART NO
9 PLC ±0.5	1 PLC ±0.5	NAME: RIGHT-ANGLE PLUG ASSEMBLY, 7 ROW, CENTER, 20.3mm, MultiGig RT2, DAUGHTERCARD CONNECTOR, DIFFERENTIAL	RESTRICTED TO
5 PLC ±0.13	4 PLC ±0.13	PRODUCT SPEC: 108-2072	SCALE 5:1 SHEET 1 OF 1 REV A1
ANGLES ±1°	FINISH	APPLICATION SPEC: 114-13056	SIZE CAGE CODE DRAWING NO
MATERIAL	SEE TABLE	WEIGHT	A100779C=1410303
CUSTOMER DRAWING		DATE	11/11/12