



Chipsmall Limited consists of a professional team with an average of over 10 year of expertise in the distribution of electronic components. Based in Hongkong, we have already established firm and mutual-benefit business relationships with customers from,Europe,America and south Asia,supplying obsolete and hard-to-find components to meet their specific needs.

With the principle of “Quality Parts,Customers Priority,Honest Operation,and Considerate Service”,our business mainly focus on the distribution of electronic components. Line cards we deal with include Microchip,ALPS,ROHM,Xilinx,Pulse,ON,Everlight and Freescale. Main products comprise IC,Modules,Potentiometer,IC Socket,Relay,Connector.Our parts cover such applications as commercial,industrial, and automotives areas.

We are looking forward to setting up business relationship with you and hope to provide you with the best service and solution. Let us make a better world for our industry!



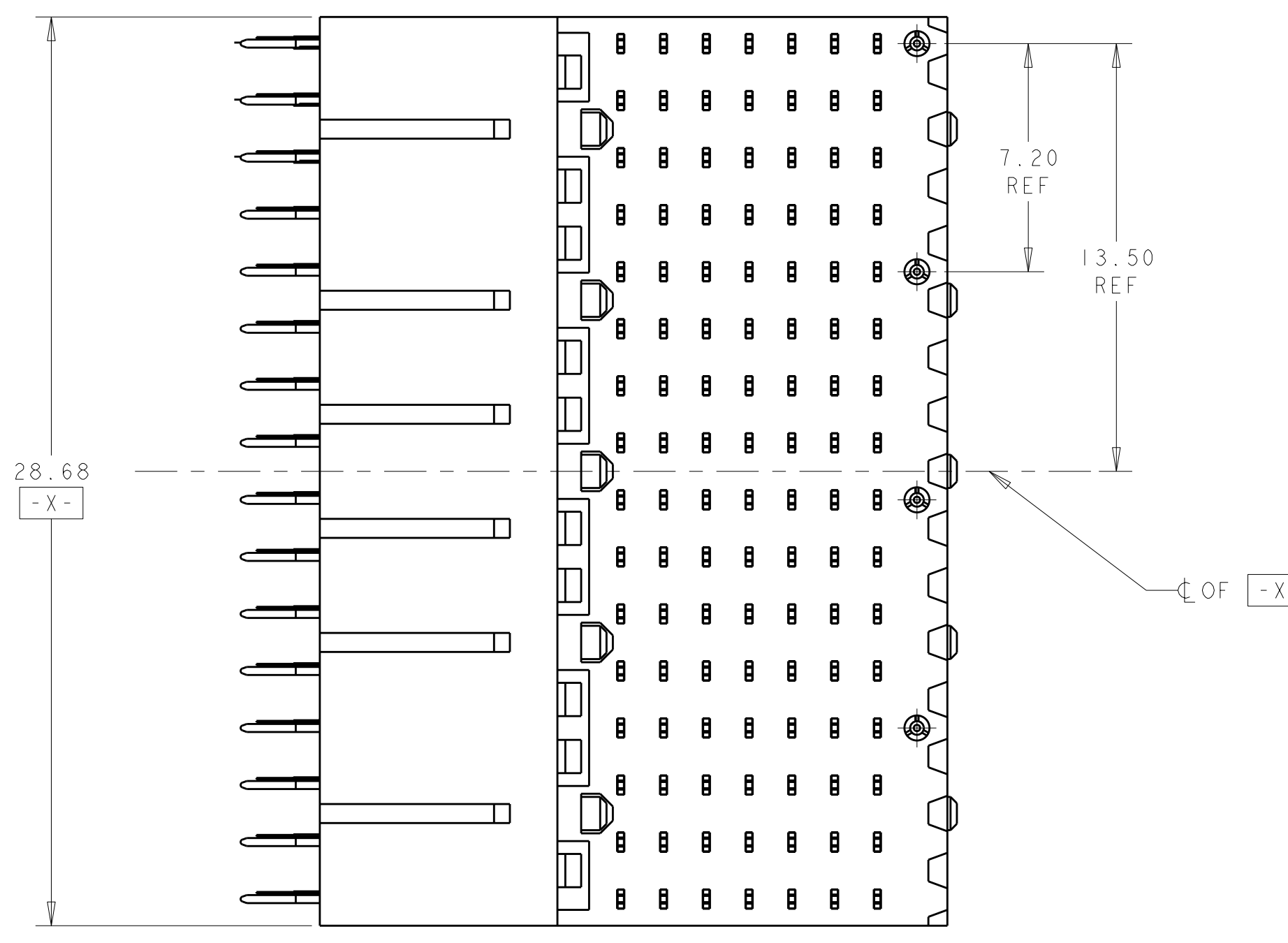
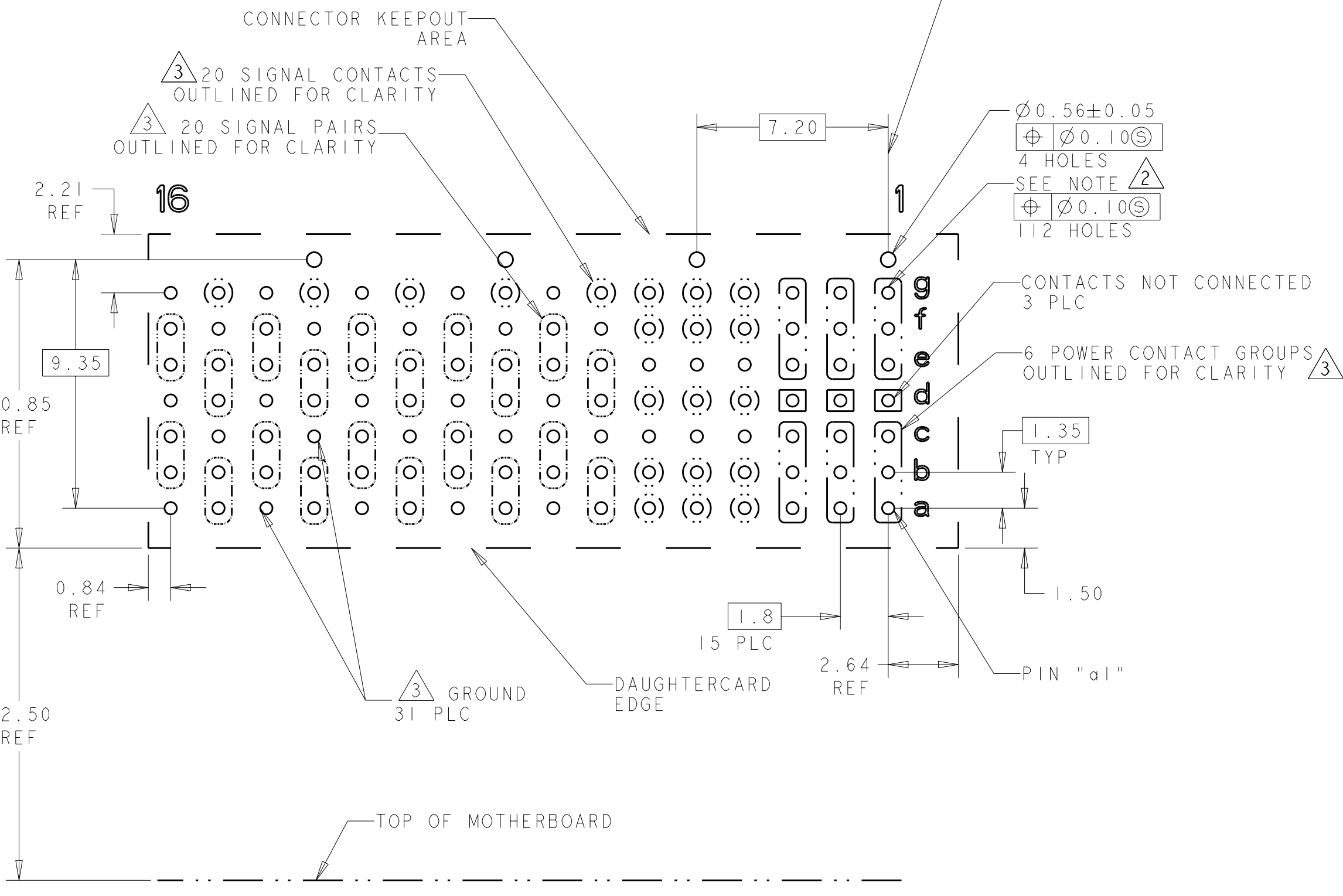
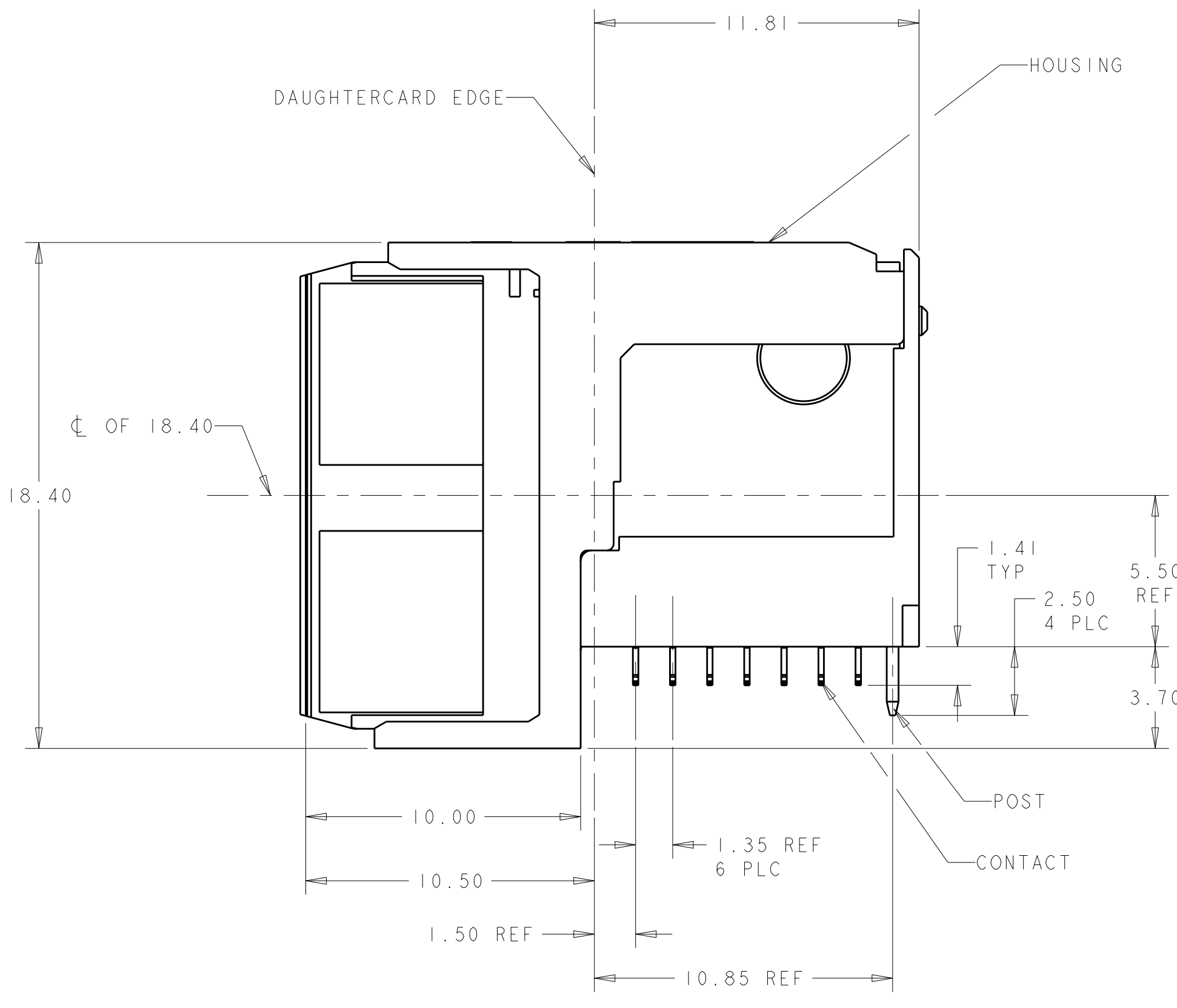
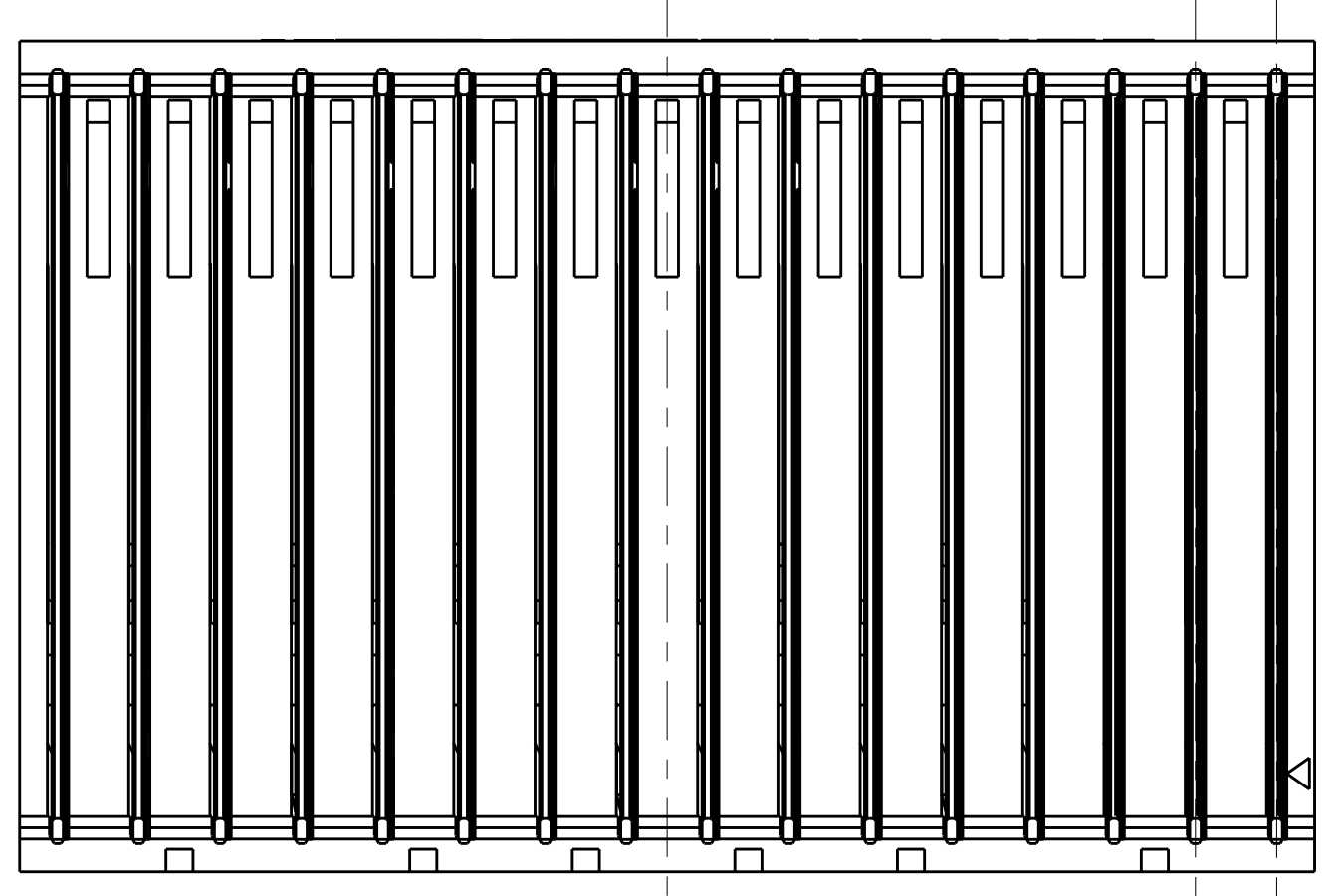
## Contact us

Tel: +86-755-8981 8866 Fax: +86-755-8427 6832

Email & Skype: info@chipsmall.com Web: www.chipsmall.com

Address: A1208, Overseas Decoration Building, #122 Zhenhua RD., Futian, Shenzhen, China





PC BOARD LAYOUT (CONNECTOR SIDE)  
SCALE 6:1

LOC	DIST	REV	DATE	BY	APPD
GP	00	A	23JUN09	DH	RP

- REVISIONS
- 1 HOUSING: LCP, UL94V0, COLOR: BLACK.  
CONTACT: PHOSPHOR BRONZE.  
POST: BRASS WIRE
- 2 MANUFACTURING TOLERANCE FOR  $\phi 0.46 \pm 0.05$   
DIAMETER FINISHED HOLE WITH Sn /PB PLATING:  
DRILLED HOLE =  $\phi 0.55 \pm 0.02$   
COPPER PLATING = 0.025-0.050  
Sn /PB PLATING = 0.0038-0.0124
- OR
- MANUFACTURING TOLERANCE FOR  $\phi 0.475 \pm 0.05$   
DIAMETER FINISHED HOLE WITHOUT Sn /PB PLATING:  
DRILLED HOLE =  $\phi 0.55 \pm 0.02$   
COPPER PLATING = 0.025-0.050
- 3 SEE TABLE 1 FOR INTERCONNECTIONS TO BACKPLANE CONNECTOR.
- 4 CONTACT: 0.76  $\mu$ m MIN GOLD IN PAD CONTACT AREA  
1.27  $\mu$ m MIN TIN ON PCB TAIL  
OVER 1.27  $\mu$ m MIN NICKEL OVER ALL.  
POST 1.27  $\mu$ m MIN NICKEL PLATED.
- 5 CONTACT: 1.27  $\mu$ m MIN GOLD IN PAD CONTACT AREA  
1.27  $\mu$ m MIN TIN-LEAD ON PCB TAIL  
OVER 1.27  $\mu$ m MIN NICKEL OVER ALL.  
POST 1.27  $\mu$ m MIN NICKEL PLATED.

TABLE 1  
INTERCONNECTIONS WITH BACKPLANE CONNECTOR 1410326

TYPICAL INTERCONNECTIONS FOR COLUMN (WAFER): 7, 9, 11, 13, 15		
CONTACT USAGE	DAUGHTERCARD CONNECTOR PIN	BACKPLANE CONNECTOR PIN
SIGNAL PAIR	ax	ax
SIGNAL PAIR	bx	bx
SIGNAL PAIR	dx	ex
SIGNAL PAIR	ex	fx
SIGNAL PAIR	gx	ix
GROUND	c <sub>x</sub> , f <sub>x</sub> , (ALL COMMONED)	c <sub>x</sub> , dx, gx, hx

TYPICAL INTERCONNECTIONS FOR COLUMN (WAFER): 8, 10, 12, 14, 16		
CONTACT USAGE	DAUGHTERCARD CONNECTOR PIN	BACKPLANE CONNECTOR PIN
SIGNAL PAIR	bx	cx
SIGNAL PAIR	cx	dx
SIGNAL PAIR	ex	gx
SIGNAL PAIR	fx	hx
GROUND	ax, dx, gx (ALL COMMONED)	ax, bx, ex, fx, ix

TYPICAL INTERCONNECTIONS FOR COLUMN (WAFER): 4, 5, 6		
CONTACT USAGE	DAUGHTERCARD CONNECTOR PIN	BACKPLANE CONNECTOR PIN
SIGNAL	ax	bx
SIGNAL	bx	cx
SIGNAL	dx	ex
SIGNAL	fx	gx
SIGNAL	gx	hx
GROUND	c <sub>x</sub> , ex (ALL COMMONED)	ax, dx, fx, ix

TYPICAL INTERCONNECTIONS FOR COLUMN (WAFER): 1, 2, 3		
CONTACT USAGE	DAUGHTERCARD CONNECTOR PIN	BACKPLANE CONNECTOR PIN
POWER	ax, bx, cx	ax, bx, cx, dx
POWER	ex, fx, gx	fx, gx, hx, ix
NOT CONNECTED	dx	ex

NOTE: "x" DESIGNATES THE COLUMN NUMBER

5	1410326-3
PLATING	PART NO

DIMENSIONS: mm		TOLERANCES UNLESS OTHERWISE SPECIFIED: 9 PLC ± 1 PLC ±0.5 5 PLC ±0.13 4 PLC ± ANGLES ±1°		DWN D. HUMBERT 23JUN2009 CHK R. PATTERSON 23JUN2009 APVD R. PATTERSON 23JUN2009		Tyco Electronics Harrisburg, PA 17105-3608	
MATERIAL:		FINISH:		NAME: RIGHT-ANGLE PLUG ASSY, 7 ROW, 20.3mm MULTI-GIG RTS, DIFFERENTIAL, SIGNAL-ENDED AND POWER, CENTER CONN.		SIZE: CAGE CODE DRAWING NO. RESTRICTED TO A11 00779 C=1410326	
CUSTOMER DRAWING				WEIGHT: -		SCALE: 6:1 SHEET 1 OF 1 REV A	