



Chipsmall Limited consists of a professional team with an average of over 10 year of expertise in the distribution of electronic components. Based in Hongkong, we have already established firm and mutual-benefit business relationships with customers from,Europe,America and south Asia,supplying obsolete and hard-to-find components to meet their specific needs.

With the principle of "Quality Parts,Customers Priority,Honest Operation,and Considerate Service",our business mainly focus on the distribution of electronic components. Line cards we deal with include Microchip,ALPS,ROHM,Xilinx,Pulse,ON,Everlight and Freescale. Main products comprise IC,Modules,Potentiometer,IC Socket,Relay,Connector.Our parts cover such applications as commercial,industrial, and automotives areas.

We are looking forward to setting up business relationship with you and hope to provide you with the best service and solution. Let us make a better world for our industry!



Contact us

Tel: +86-755-8981 8866 Fax: +86-755-8427 6832

Email & Skype: info@chipsmall.com Web: www.chipsmall.com

Address: A1208, Overseas Decoration Building, #122 Zhenhua RD., Futian, Shenzhen, China



4

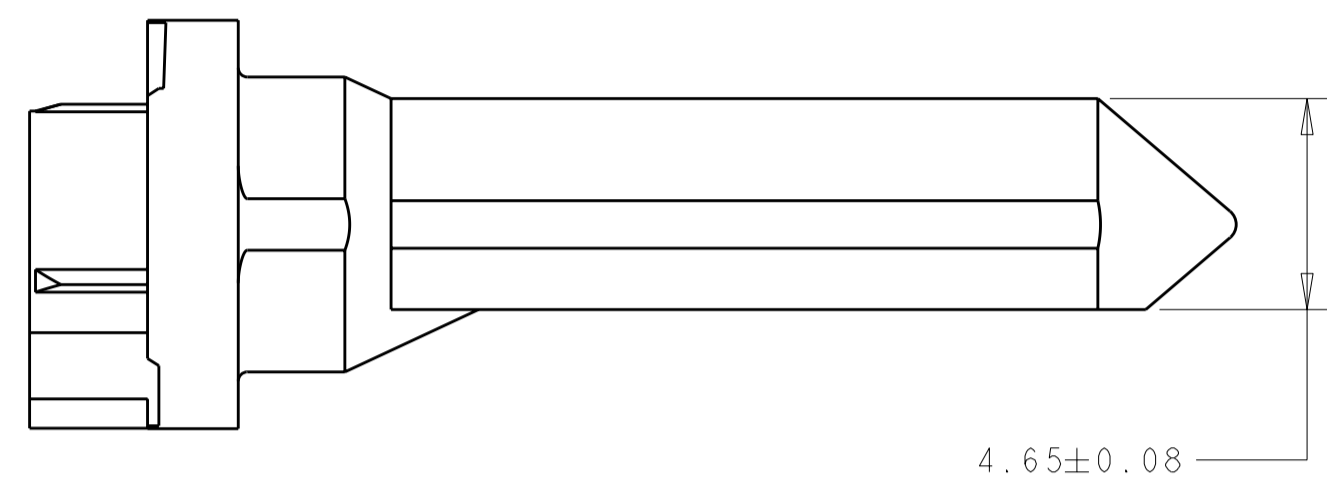
3

2

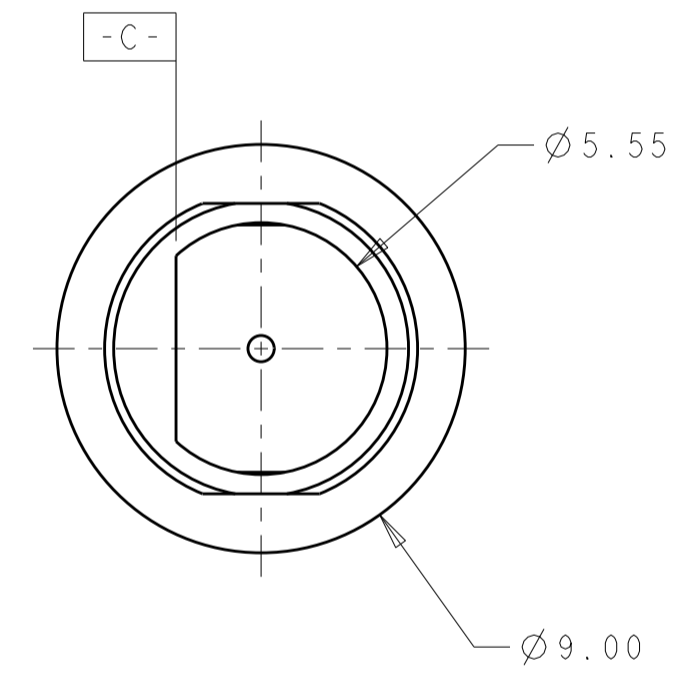
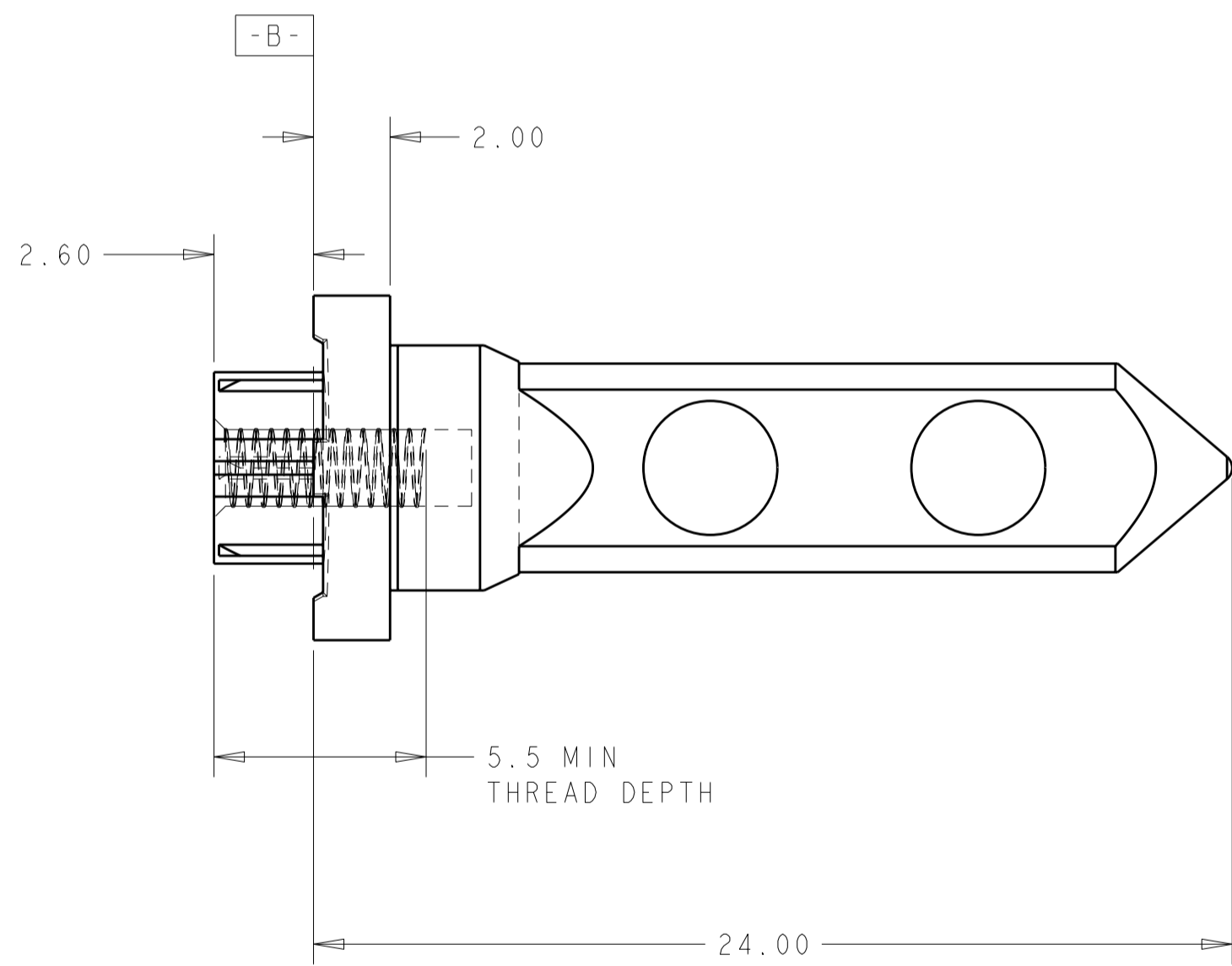
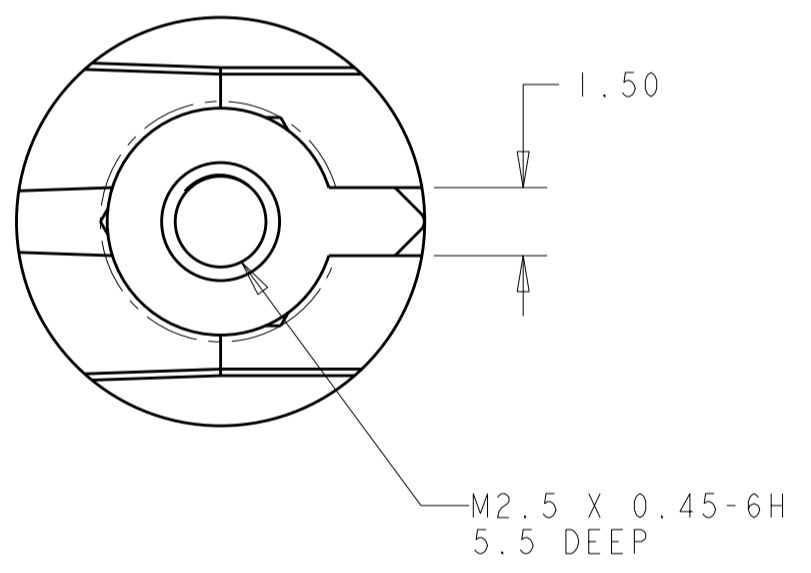
1

THIS DRAWING IS UNPUBLISHED. RELEASED FOR PUBLICATION 20
 © COPYRIGHT 20 BY TYCO ELECTRONICS CORPORATION. ALL RIGHTS RESERVED.

LOC	DIST	REVISIONS			
P	LTR	DESCRIPTION	DATE	DWN	APVD
AD	00	A	RELEASED PER RTS 265264.2	22JUNE2010	DH AS



- ① MATERIAL: ZINC ALLOY
- ② FINISH:
3.81µm MINIMUM SILVER IN CONTACT AREA
OVER NICKEL OVER COPPER ALL OVER
- ③ KEY HOLE ORIENTATION (DIM A) PER MATING
GUIDE MODULE PART NUMBER TABLE
(ORIENTATION SHOWN ON PCB LAYOUT IS FOR 1-1469492-2)
- ④ ANNULAR RING PLATED AROUND GUIDE PIN MOUNTING
HOLE ON TOP AND BOTTOM SIDE OF BOARD

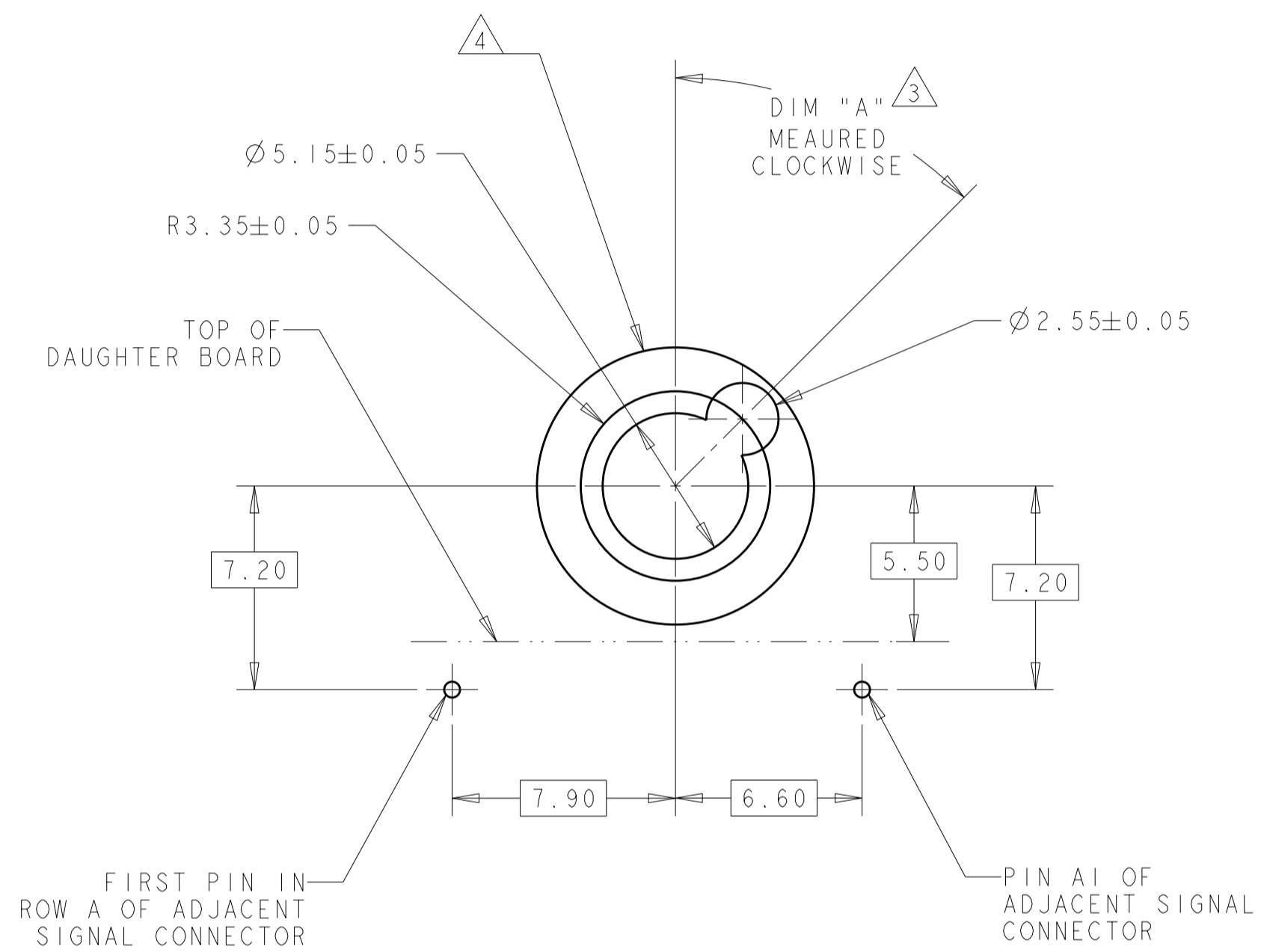


1410336-2
PART NUMBER

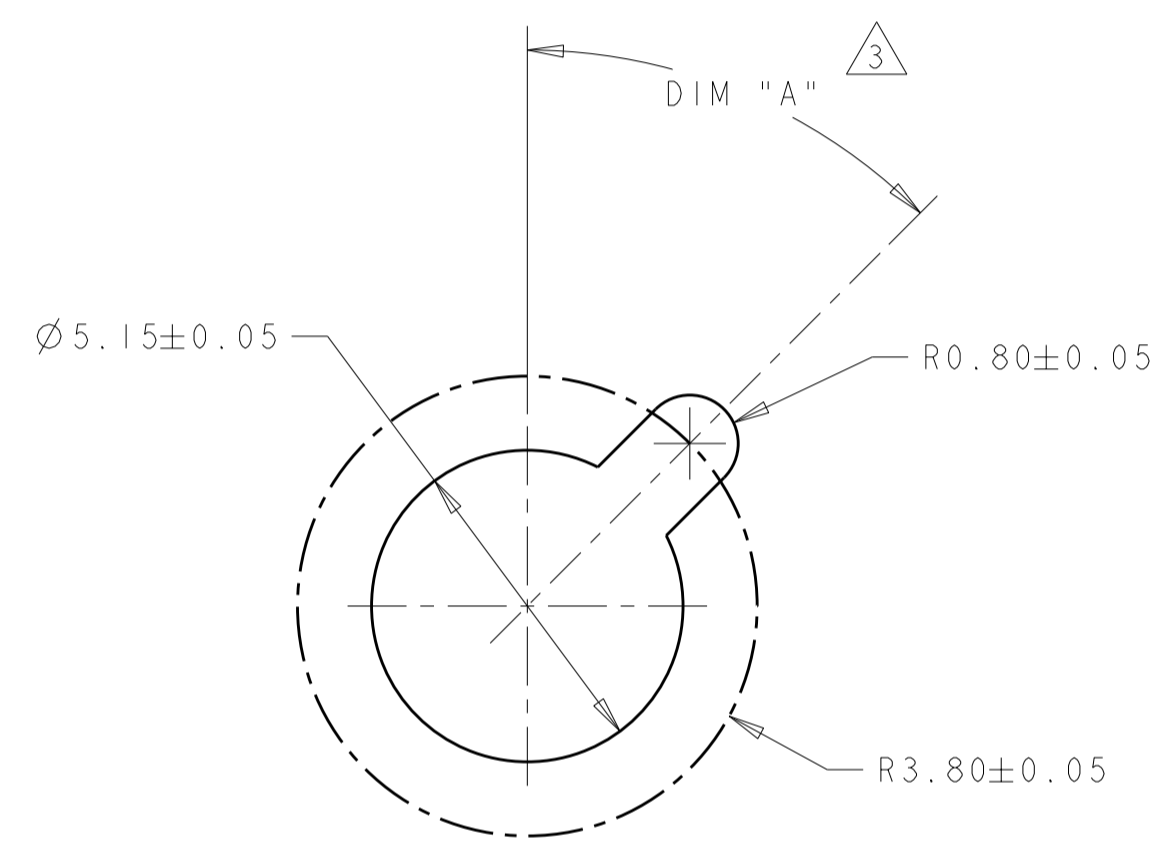
THIS DRAWING IS A CONTROLLED DOCUMENT FOR TYCO ELECTRONICS CORPORATION IT IS SUBJECT TO CHANGE AND THE CONTROLLING ENGINEERING ORGANIZATION SHOULD BE CONTACTED FOR THE LATEST REVISION.		DWN D. HUMBERT 17 JUNE 2010	Tyco Electronics Harrisburg, PA 17105-3608	
DIMENSIONS: mm		CHK A. SHARPE 17 JUNE 2010	NAME KEYED GUIDE PIN, DIE CAST BACKPLANE CONNECTOR MULTIGIG, INTERNALLY THREADED	
TOLERANCES UNLESS OTHERWISE SPECIFIED:		APVD A. SHARPE 17 JUNE 2010	SIZE A200779	
0 PLC ± 1 PLC ± 2 PLC ±0.13 3 PLC ±0.013 4 PLC ±		PRODUCT SPEC -	DRAWING NO C-1410336	
ANGLES ±° FINISH		APPLICATION SPEC -	RESTRICTED TO -	
MATERIAL		WEIGHT -	SCALE 8:1	
① -		CUSTOMER DRAWING		SHEET 1 OF 2
② -				REV A

THIS DRAWING IS UNPUBLISHED. RELEASED FOR PUBLICATION 20
 © COPYRIGHT 20 BY TYCO ELECTRONICS CORPORATION. ALL RIGHTS RESERVED.

LOC	DIST	REVISIONS			
P	LTR	DESCRIPTION	DATE	DWN	APVD
AD	00	-	SEE SHEET 1	-	-



TIER 2
 GUIDE PIN FOOTPRINT
 (20.3mm SIGNAL MODULES)



ALTERNATE PCB LAYOUT
 FOR GUIDE PIN

-	1-1469492-9
315°	1-1469492-8
270°	1-1469492-7
90°	1-1469492-3
45°	1-1469492-2
0°	1-1469492-1
DIM " A "	20.3mm GUIDE MODULE
MATING GUIDE MODULE 3	

THIS DRAWING IS A CONTROLLED DOCUMENT FOR TYCO ELECTRONICS CORPORATION. IT IS SUBJECT TO CHANGE AND THE CONTROLLING ENGINEERING ORGANIZATION SHOULD BE CONTACTED FOR THE LATEST REVISION.		DWN D. HUMBERT 17 JUNE 2010	Tyco Electronics Harrisburg, PA 17105-3608	
DIMENSIONS: mm		CHK A. SHARPE 17 JUNE 2010	NAME KEYED GUIDE PIN, DIE CAST BACKPLANE CONNECTOR MULTIGIG, INTERNALLY THREADED	
TOLERANCES UNLESS OTHERWISE SPECIFIED: 0 PLC ±- 1 PLC ±- 2 PLC ±0.13 3 PLC ±0.013 4 PLC ±- ANGLES ±2° FINISH		APVD A. SHARPE 17 JUNE 2010	RESTRICTED TO -	
MATERIAL -		PRODUCT SPEC -	SIZE A200779	DRAWING NO C-1410336
		APPLICATION SPEC -	SCALE 8:1 SHEET 2 OF 2 REV A	
		WEIGHT -	CUSTOMER DRAWING	