



Chipsmall Limited consists of a professional team with an average of over 10 year of expertise in the distribution of electronic components. Based in Hongkong, we have already established firm and mutual-benefit business relationships with customers from,Europe,America and south Asia,supplying obsolete and hard-to-find components to meet their specific needs.

With the principle of “Quality Parts,Customers Priority,Honest Operation,and Considerate Service”,our business mainly focus on the distribution of electronic components. Line cards we deal with include Microchip,ALPS,ROHM,Xilinx,Pulse,ON,Everlight and Freescale. Main products comprise IC,Modules,Potentiometer,IC Socket,Relay,Connector.Our parts cover such applications as commercial,industrial, and automotives areas.

We are looking forward to setting up business relationship with you and hope to provide you with the best service and solution. Let us make a better world for our industry!



Contact us

Tel: +86-755-8981 8866 Fax: +86-755-8427 6832

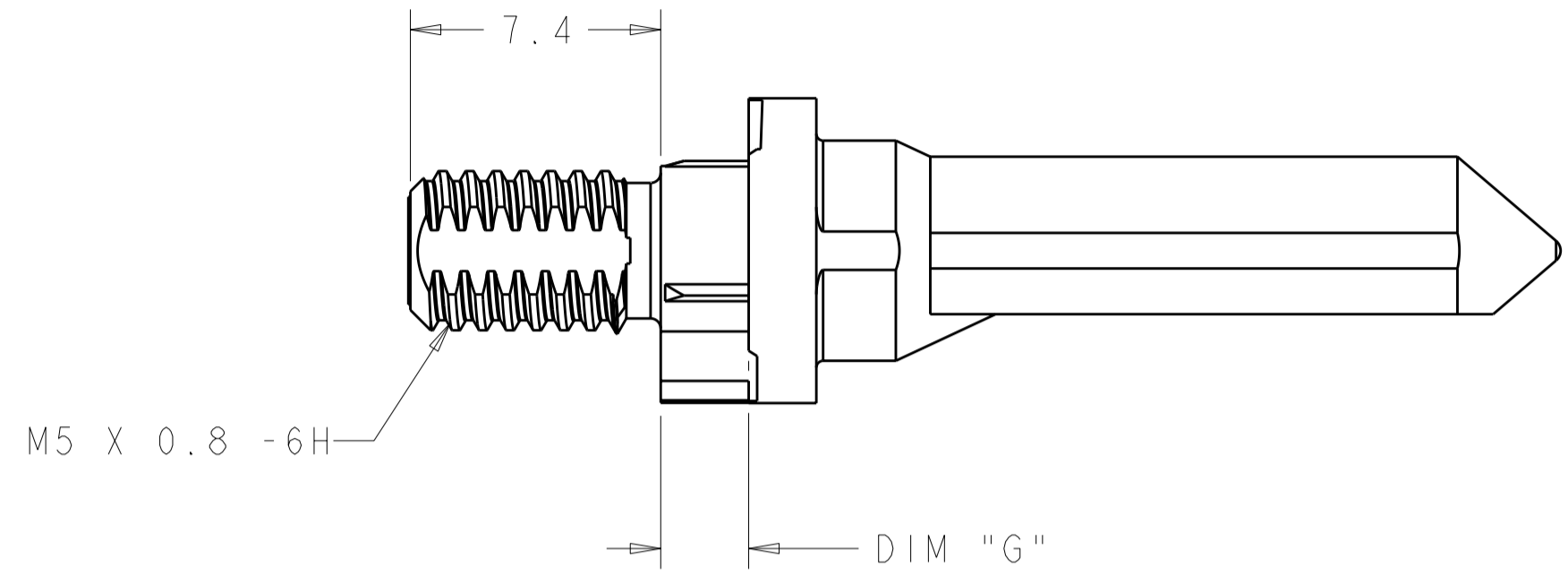
Email & Skype: info@chipsmall.com Web: www.chipsmall.com

Address: A1208, Overseas Decoration Building, #122 Zhenhua RD., Futian, Shenzhen, China

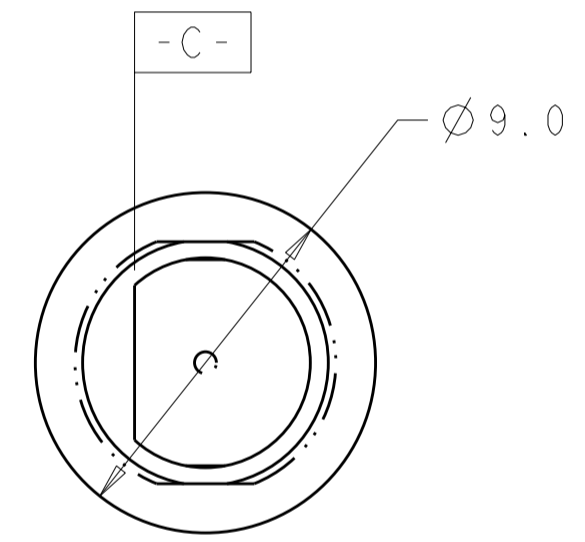
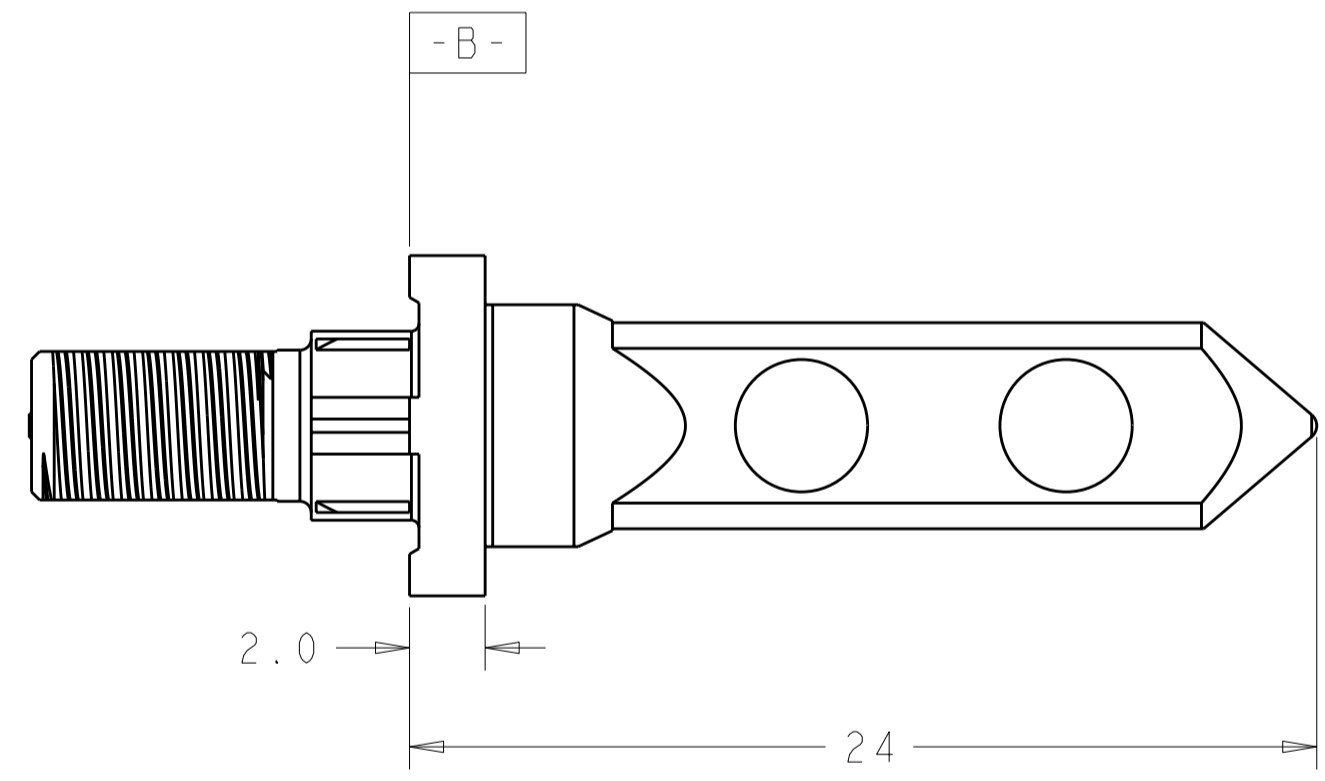
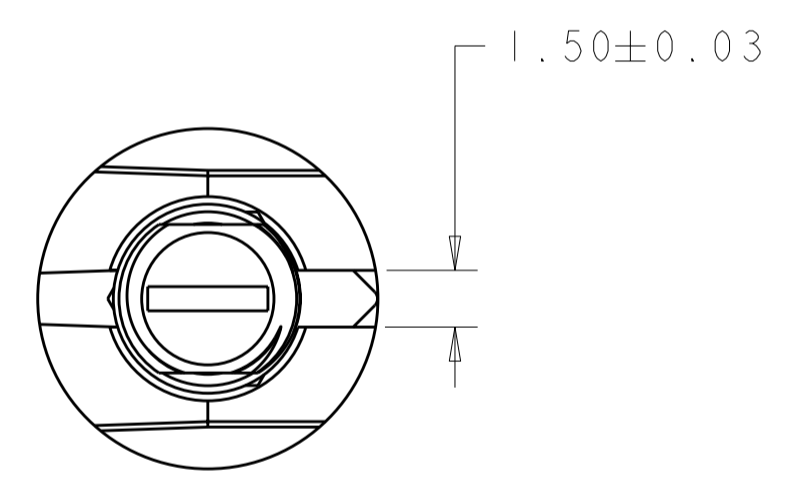


THIS DRAWING IS UNPUBLISHED. RELEASED FOR PUBLICATION 20
 © COPYRIGHT 20 BY TYCO ELECTRONICS CORPORATION. ALL RIGHTS RESERVED.

LOC	DIST	REVISIONS					
CG	00	P	LTR	DESCRIPTION	DATE	DWN	APVD
			A	RELEASED PER RTS 359806.1	04AUG2010	WS	RP



- 1 MATERIAL: ZINC ALLOY
- 2 KEY HOLE ORIENTATION (DIM A) PER MATING GUIDE MODULE PART NUMBER TABLE (ORIENTATION SHOWN ON PCB LAYOUT IS FOR 1410338-2)
- 3 ANNULAR RING PLATED AROUND GUIDE PIN MOUNTING HOLE ON TOP AND BOTTOM SIDE OF BOARD
- 4 FINISH: 3.0µm MINIMUM NICKEL OVER COPPER

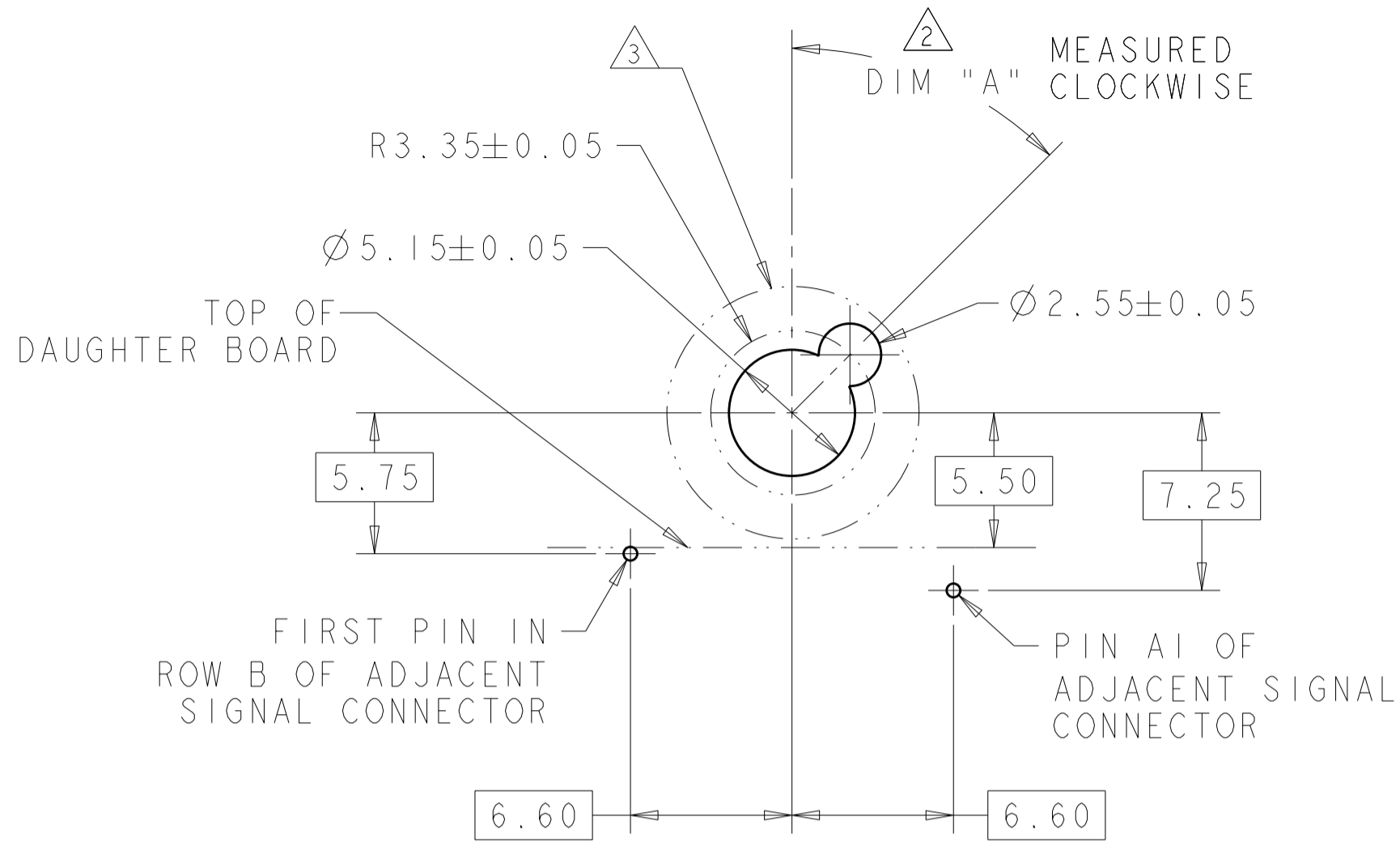


4	5.70	1410337-3
4	4.20	1410337-2
4	2.60	1410337-1
FINISH	DIM "G"	PART NUMBER

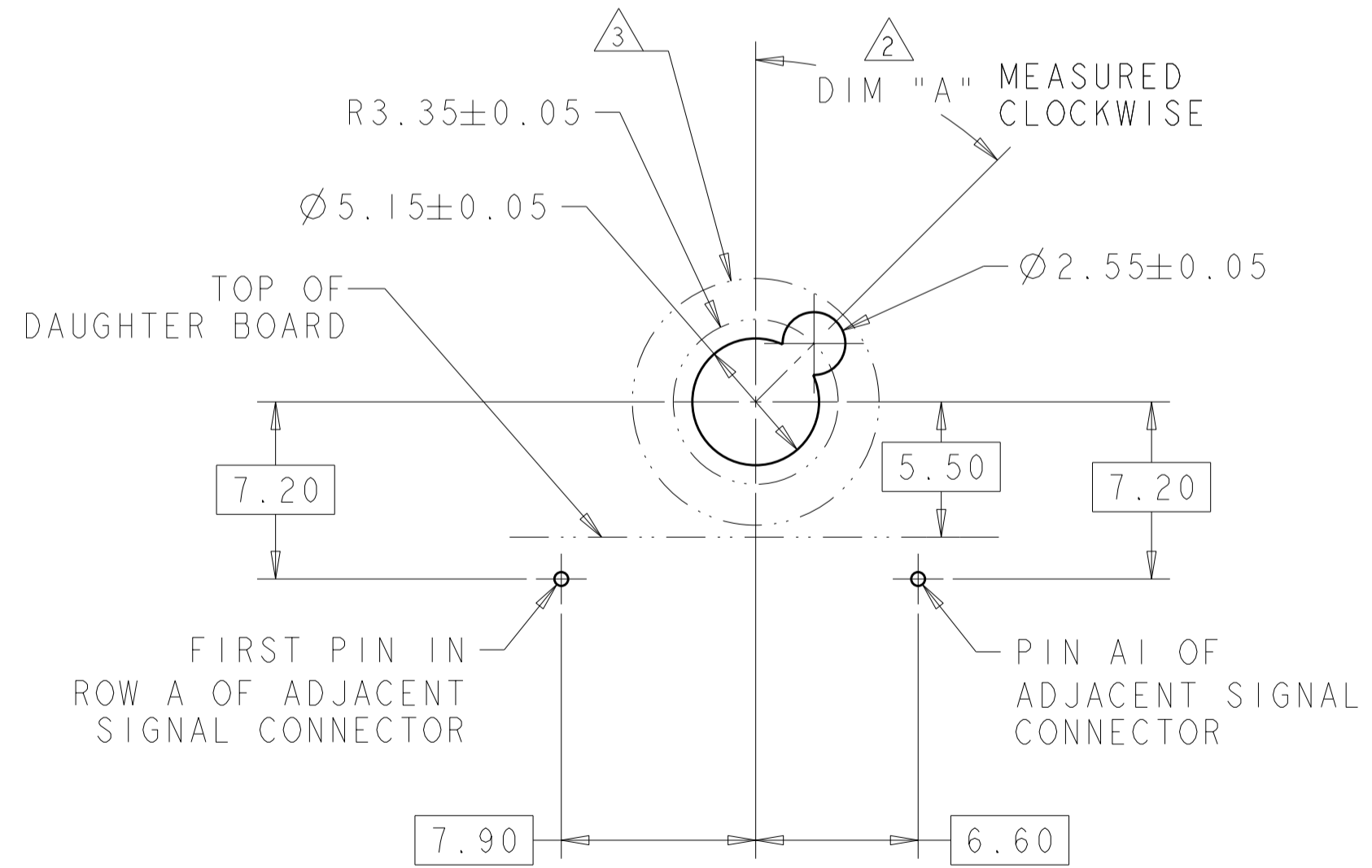
<small>THIS DRAWING IS A CONTROLLED DOCUMENT FOR TYCO ELECTRONICS CORPORATION. IT IS SUBJECT TO CHANGE AND THE CONTROLLING ENGINEERING ORGANIZATION SHOULD BE CONTACTED FOR THE LATEST REVISION.</small>		DWN W. SOURBEER 04AUG2010 CHK R. PATERSON 04AUG2010 APVD -	Tyco Electronics Harrisburg, PA 17105-3608
DIMENSIONS: mm 	TOLERANCES UNLESS OTHERWISE SPECIFIED: 0 PLC ± 1 PLC ±0.5 2 PLC ±.13 3 PLC ±0.013 4 PLC ± ANGLES ± FINISH	PRODUCT SPEC 108-2072 APPLICATION SPEC 114-13056 WEIGHT -	NAME KEYED GUIDE PIN, DIE CAST BACKPLANE CONNECTOR, MULTIGIG, THREADED POST SIZE A2 CAGE CODE 00779 DRAWING NO 1410337 RESTRICTED TO -
MATERIAL 1 -	FINISH 4 -	CUSTOMER DRAWING	SCALE 5:1 SHEET 1 OF 2 REV A

THIS DRAWING IS UNPUBLISHED. RELEASED FOR PUBLICATION 20
 © COPYRIGHT 20 BY TYCO ELECTRONICS CORPORATION. ALL RIGHTS RESERVED.

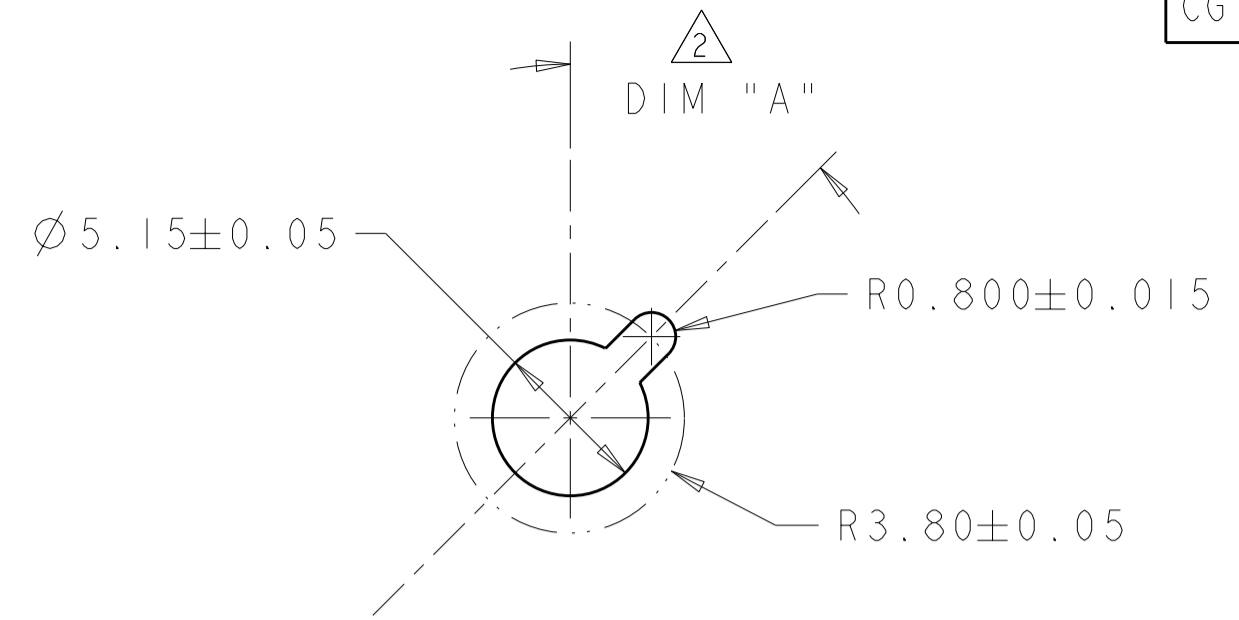
LOC	DIST	REVISIONS					
CG	00	P	LTR	DESCRIPTION	DATE	DWN	APVD
		-		SEE SHEET 1			



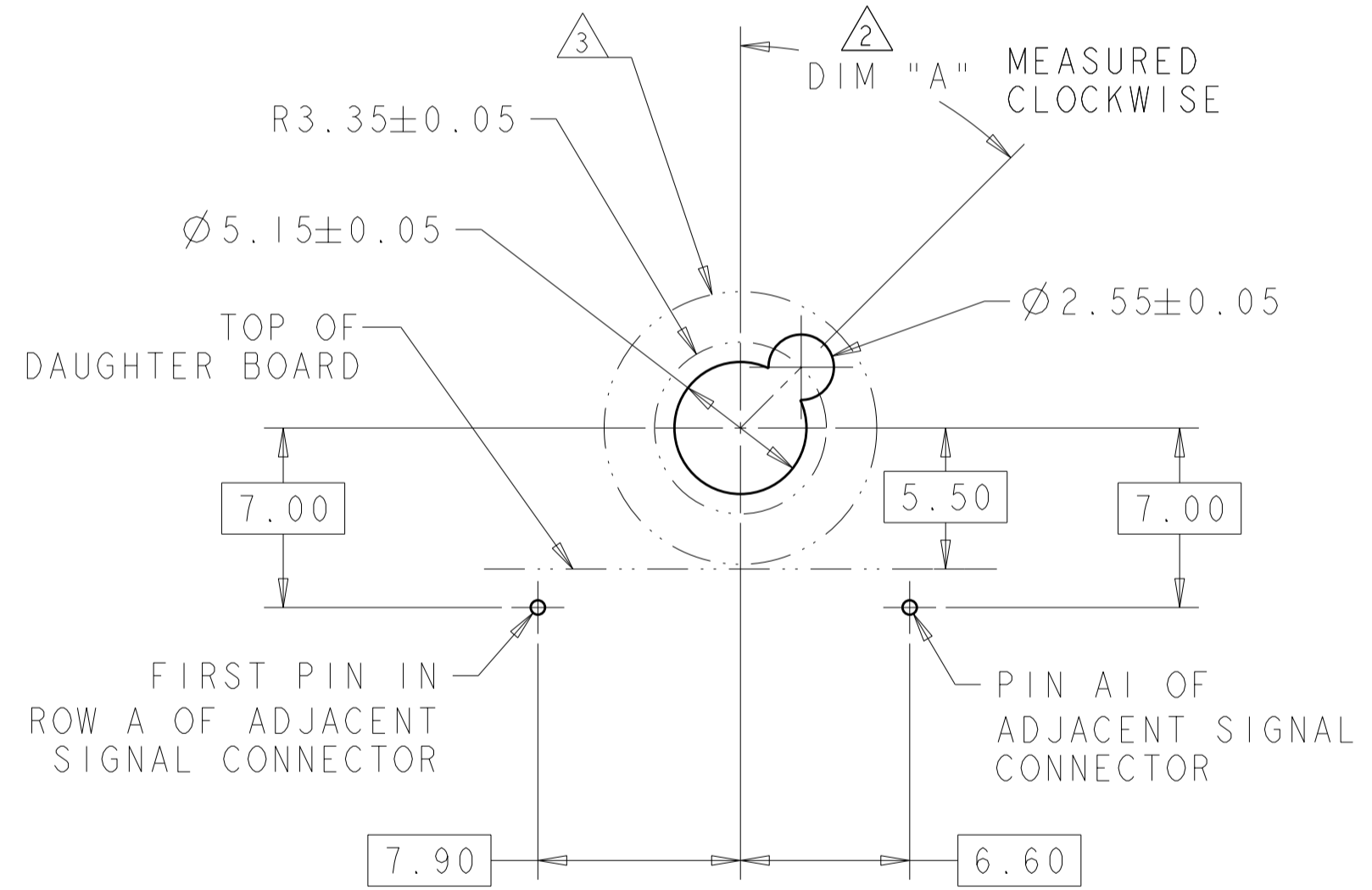
TIER 1
 GUIDE PIN FOOTPRINT
 (20.3 & 25.4mm SIGNAL MODULES)
 SCALE 4:1



TIER 2
 GUIDE PIN FOOTPRINT
 (20.3mm SIGNAL MODULES)
 SCALE 4:1



ALTERNATE PCB LAYOUT
 FOR GUIDE POST
 SCALE 4:1



TIER 2
 GUIDE PIN FOOTPRINT
 (25.4mm SIGNAL MODULES)
 SCALE 4:1

NICKEL	-	1410338-6
NICKEL	315°	1410338-5
NICKEL	270°	1410338-4
NICKEL	90°	1410338-3
NICKEL	45°	1410338-2
NICKEL	0°	1410338-1
FINISH	DIM "A"	20.3mm GUIDE MODULE
MATING GUIDE MODULE		

THIS DRAWING IS A CONTROLLED DOCUMENT FOR TYCO ELECTRONICS CORPORATION. IT IS SUBJECT TO CHANGE AND THE CONTROLLING ENGINEERING ORGANIZATION SHOULD BE CONTACTED FOR THE LATEST REVISION.		DWN W. SOURBEER 04AUG2010	Tyco Electronics Harrisburg, PA 17105-3608	
DIMENSIONS: mm		CHK R. PATERSON 04AUG2010	NAME KEYED GUIDE PIN, DIE CAST BACKPLANE CONNECTOR, MULTIGIG, THREADED POST	
TOLERANCES UNLESS OTHERWISE SPECIFIED: 0 PLC ±.5 1 PLC ±.13 2 PLC ±.13 3 PLC ±0.013 4 PLC ±. ANGLES ±. FINISH		APVD -	PRODUCT SPEC 108-2072	RESTRICTED TO -
MATERIAL -		APPLICATION SPEC 114-13056	SIZE A2	CAGE CODE 00779
		WEIGHT -	DRAWING NO 1410337	SCALE 1:1
		CUSTOMER DRAWING	SHEET 2 OF 2 REV A	